

Item	Value	Remark
Nominal voltage	220–240V	
Nominal frequency	50–60Hz	
AC voltage range	198–264V	
DC voltage range (start)	NA	
DC voltage range (operation)	NA	
Nominal current	140mA	
Total Harmonic Distortion (THD)	< 10%	Full load @230VAC
Power factor	0.7C-0.97	Full load @230VAC
Displacement factor	0.7C-0.97	Full load @230VAC
Efficiency	85%(Typ.)	Full load @230VAC
No-load power	NA	
Networked standby power	< 0.3W	
Protection class	I	Suitable for class I and II luminaires
Inrush current	35 A / 80 us	
Max.units per circuit breaker	Type B , 10A MCB	29
	Type B , 16A MCB	46
	Type C , 10A MCB	36
	Type C , 16A MCB	57
Earth leakage current	NA	
Output	Nominal voltage range	
	200mA	25-60 Vdc
	250mA	20-60 Vdc
	300mA	17-60 Vdc
	350mA	14-60 Vdc
	450mA	11-56 Vdc
	500mA	10-50 Vdc
	550mA	10-45 Vdc
	600mA	10-42 Vdc
	650mA	10-39 Vdc
	700mA	10-36 Vdc
	Maximum voltage	63 Vdc
Output channels	2	

	Item	Value	Remark
Output	Nominal current range	200-700mA	DC Output with adjustable constant current from 200 to 700 mA via NFC in 1mA steps Factory default 200mA
	Current accuracy	± 5%	Full load @ 230Vac
	Typical output LF current ripple	± 5%	Low Frequency< 120Hz Full load @230VAC
	Starting time	< 1 S	Full load @230VAC
	SVM	≤0.4	Full load @230VAC
	P _{st} LM	≤1	Full load @230VAC
	Nominal power range	5-25W	
	Maximum power	26W	
	Color tuning range	1500K-10000K	Adjusted via NFC program Factory default 2000K-10000K
Dimming	Dimming control	DALI	Touch Dim
	Dimming range	1-100%	10-100%
	Lowest dimming current	0.5%-2%	7%-13%
	Dimming technique	Hybrid Dimming	O/P current ≥ 70 mA operated @ amplitude mode O/P current < 70 mA operated @ PWM mode
	PWM frequency	2KHz	
	Galvanic isolation	Basic insulated to PRI and double insulated to SEC	
	Environment	Ambient temperature range t _a	-20°C - +50°C
Maximum case temperature t _c		80°C	
Max. case temp. in fault condition		110°C	When operating under fault conditions, the temperature of the enclosure at any location should not exceed 110 °C
Storage temperature range		-40°C - +85°C	
Relative humidity		10% - 95%	
Surge transient protection		1 kV,2 kV	L/N , L-PE/N-PE
Environmental rating		Indoor	
IP rating		IP20	
Mains switching cycles		>100,000	
Expected lifetime		> 50,000 h, t _c 80 °C @ t _a 50 °C > 100000 h, t _c 70 °C @ t _a 40 °C	0.2 % / 1,000 h failure rate 0.1 % / 1,000 h failure rate
Packing	Gross weight/box	5.6 kg	
	Net weight/box	4.6 kg	
	Pcs/box	30PCS	
	Dimension/box	385(L)*310(W)*230(H)mm	
Protections			
Short-circuit Protection	Auto recovery		
Open-circuit Protection	Auto recovery		
Overload Protection	Auto recovery		
Conformity & Standards			
Safety standard:	EN 61347-1, EN 61347-2-13, EN 62493		
Performance:	EN 62384		
EMC standard:	EN 55015, EN 61000-3-2, EN 61000-3-3, EN 61547		
DALI protocol standard:	EN 62386-101, EN 62386-102, EN 62386-207/DT6 EN 62386-209/DT8		

Cable information

PRI

Cable cross-section	0.5-1.5□/AWG 18-16
Stripping	9mm
Pull test cable type	H03VV(H2)-F 2x0,75-1,0 mmm

SEC

Cable cross-section	0.5-1.5□/AWG 18-16
Stripping	9mm

DALI

Cable cross-section	0.5-1.5□/AWG 18-16
Stripping	9mm

Terminal information

PRI-Push button/Angled Entry

SEC-Push button/Angled Entry

DALI-Push button/Angled Entry

* If not mentioned, all the test conditions are based on full load at 230VAC input (for 220-240 VAC input).

Subject to change without notice, HEP guarantees all products perform functionally well

Optional product accessories

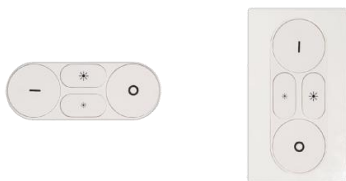
WBDA :



Wiring diagram :



BR-4K :



**For optional model, please check out its data sheet for details of specification.

APP(HEPxIDEA)

Working via WBDA freely control lights to dim up or down, tune warm or cool color by just using a smart phone.

ICON



Main



QR Code

Android



iOS

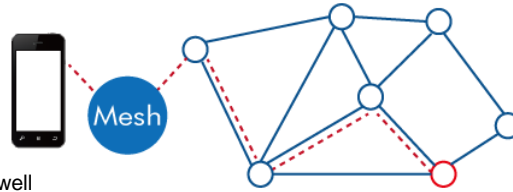


iOS Version :Android 5.0 Up, iOS 10.3 up 6.2

Features:

- 1.Mesh Network totally connecting up to 250 devices
- 2.All devices grouping to 16 groups maximumly
- 3.A group added in total of 30 devices
- 4.A device joined to 8 different groups overall
- 5.Timer preset 4 types of schedule onto individual device and groups as well
- 6. Maximum 5 scenes available to be determined

Mesh function:



Current adjustable

NFC Reader (optional)

Feature:

Easily on-line read a output current from a driver or write a new current data to a driver throughout HEP NFC reader within few seconds.



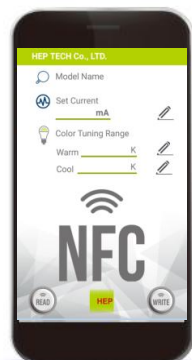
APP NFC

Feature:

Quickly check output current of a LED driver simply via Android smart phone, as well as, correct or setup a new current data immediately with no extra equipment at any job site.

ICON

Main



QR Code

Google play

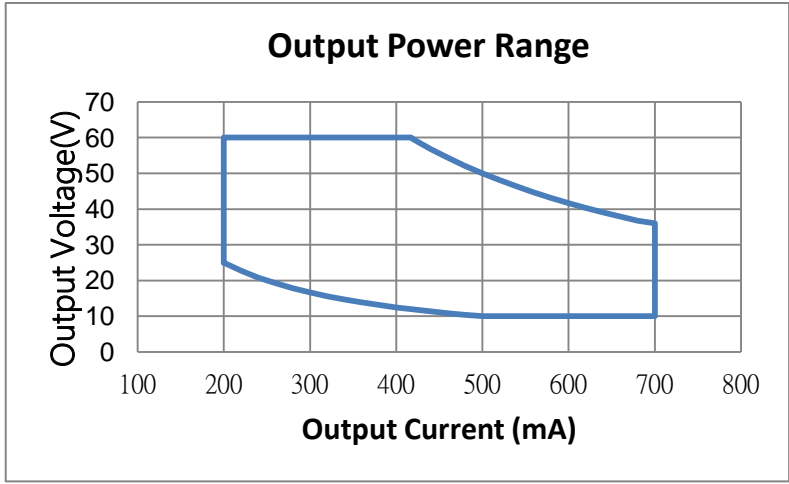
APK



Android 6.0 Up

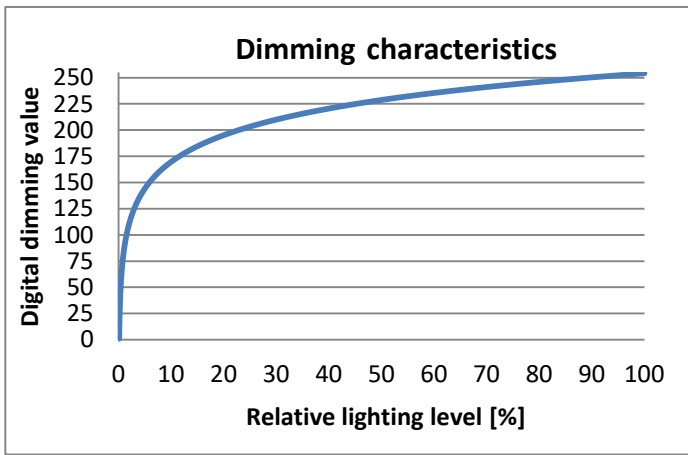
Smart phone with a NFC function

Electrical Values



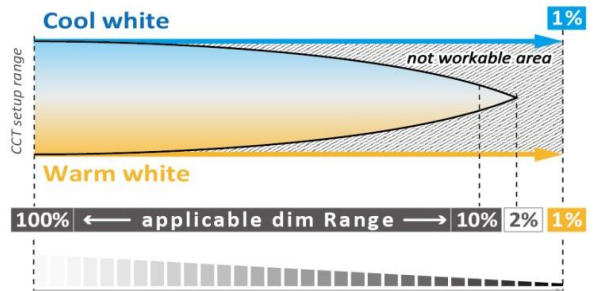
Output Current (mA)	Output Voltage Range (V)	Output Power Range (W)
700	10-36	7.0-25.0
650	10-39	6.5-25.0
600	10-42	6.0-25.0
550	10-45	5.5-24.7
500	10-50	5.0-25.0
450	11-56	5.0-25.0
400	13-60	5.2-24.0
350	14-60	5.0-21.0
300	17-60	5.0-18.0
250	20-60	5.0-15.0
200	25-60	5.0-12.0

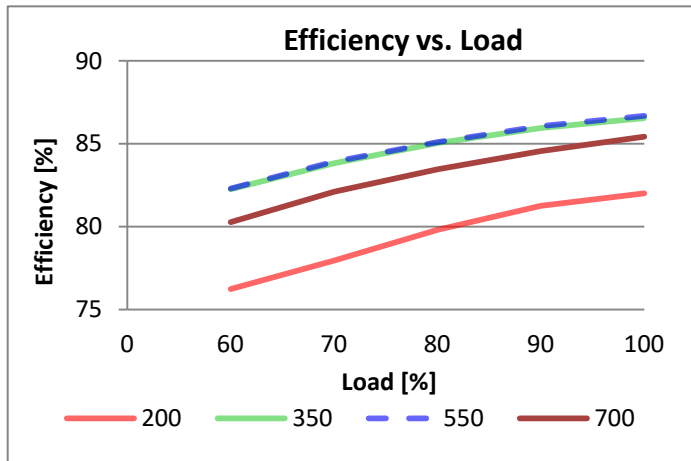
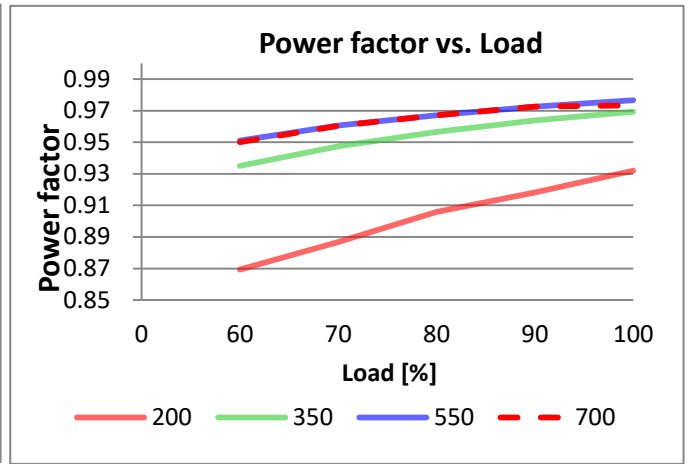
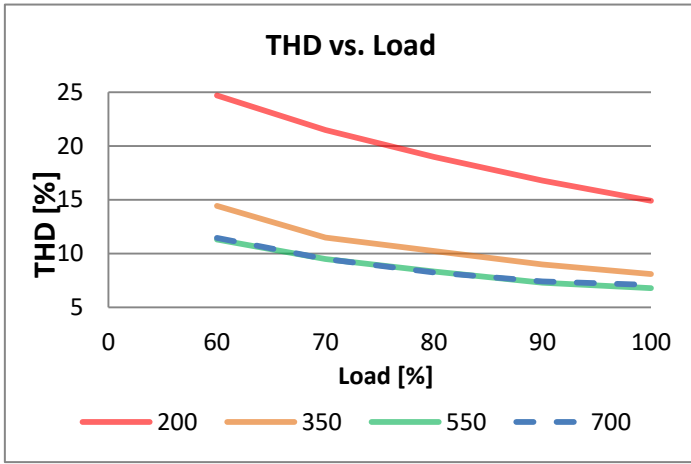
* Upon client's special demand, customized current range in between 350 mA and 1050 mA could be specified as factory default from shipment. This default current range available revised again via NFC reader program at client's site, if necessary.



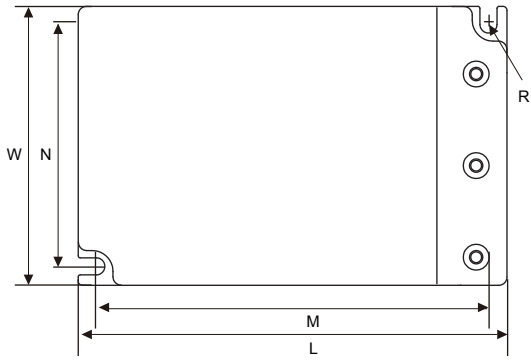
DALI-2 DT8 Control

Dimming up/down and CCT tuning are performed independently via DALI-2 DT8 dimmer.



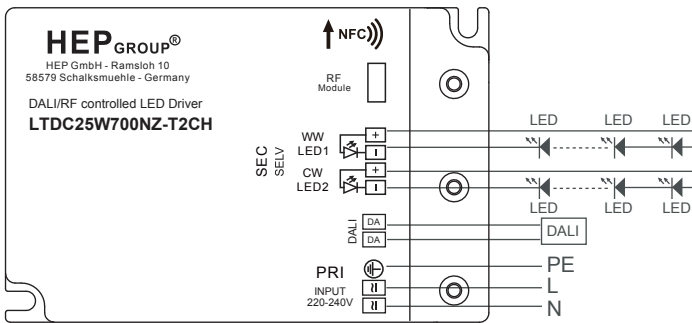


Physical
Parameter

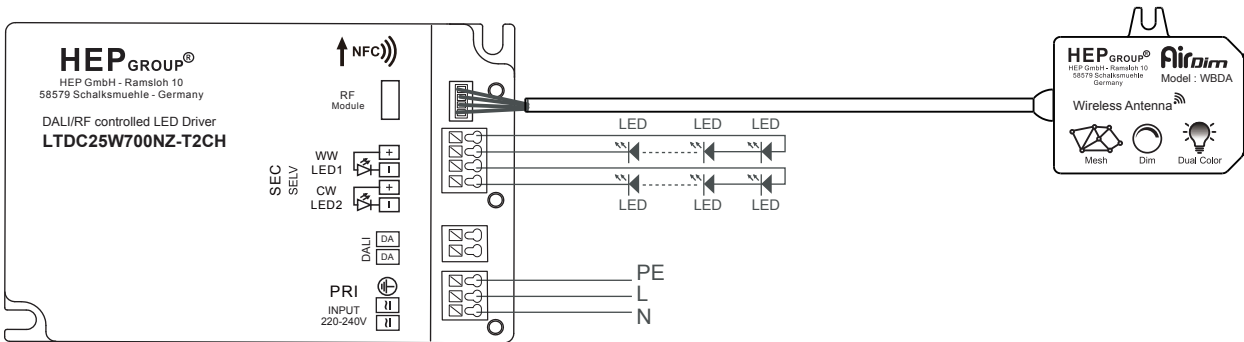


L : 123 mm W: 79 mm H : 24 mm
M : 110.8 mm N : 66.8 mm R : 2.05 mm
Tolerance : +/-1 mm R : +/-0.5 mm
Cable Cross Section : 0.75-1.5 mm² / AWG 18-16
Stripping : 9 mm

Wiring Diagram



Wiring Diagram with wireless module (optional)



NFC Antenna Location

