



Item	Value	Remark
Nominal voltage	220–240V	
Nominal frequency	50–60Hz	
AC voltage range	198–264V	
DC voltage range (start)	NA	
DC voltage range (operation)	NA	
Nominal current	160mA	Full load @230VAC
Total Harmonic Distortion (THD)	< 22%	Full load @230VAC
Power factor	0.9C (Min.)	Full load @230VAC
Displacement factor	0.9C (Min.)	Full load @230VAC
Efficiency	87% (Typ.)	Full load @230VAC
No-load power	N/A	
Stand-by power	< 0.5W	@230Vac when PUSH or DALI turn off
Networked standby power	< 0.5W	@230Vac when PUSH or DALI turn off
Protection class	II	Suitable for class II luminaires
Inrush current	15 A / 100 μs	Full load @230VAC
Max.units per circuit breaker	Type B , 10A MCB	25
	Type B , 16A MCB	40
	Type C , 10A MCB	31
	Type C , 16A MCB	50
Earth leakage current	NA	
Nominal voltage range		
Output	@300mA	9-58Vdc
	@350mA	9-58Vdc
	@400mA	9-58Vdc
	@450mA	9-58Vdc
	@500mA	9-58Vdc
	@550mA	9-55Vdc
	@600mA	9-50Vdc
	@650mA	9-46Vdc
	@700mA	9-42Vdc
	@750mA	9-40Vdc
@800mA	9-38Vdc	

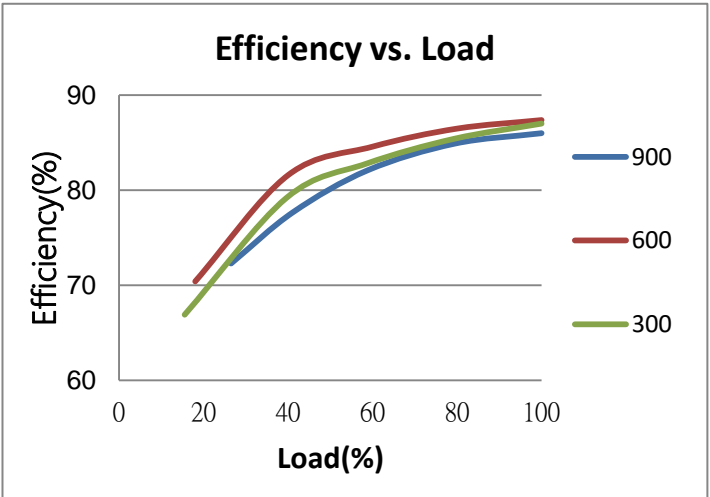
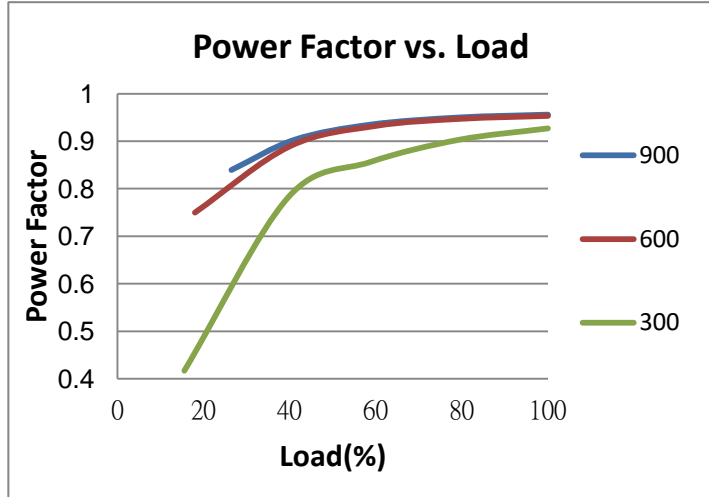
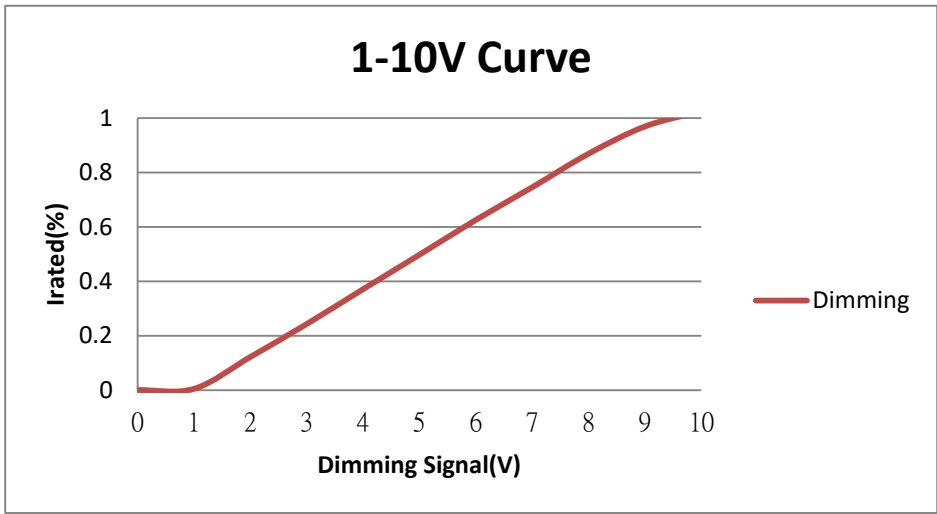
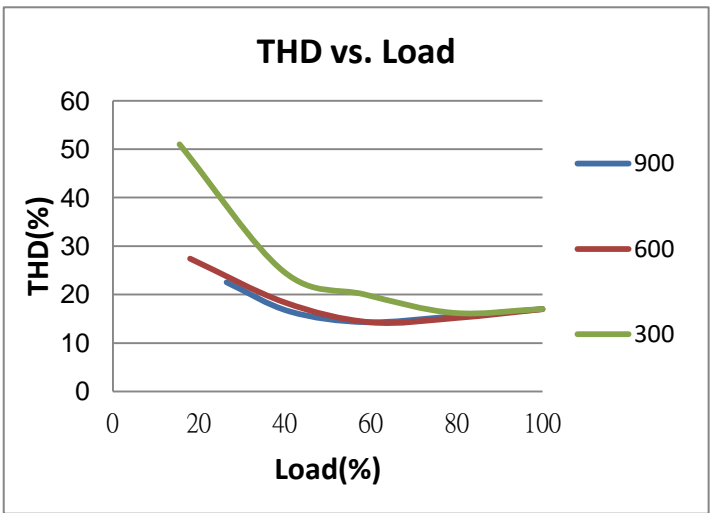
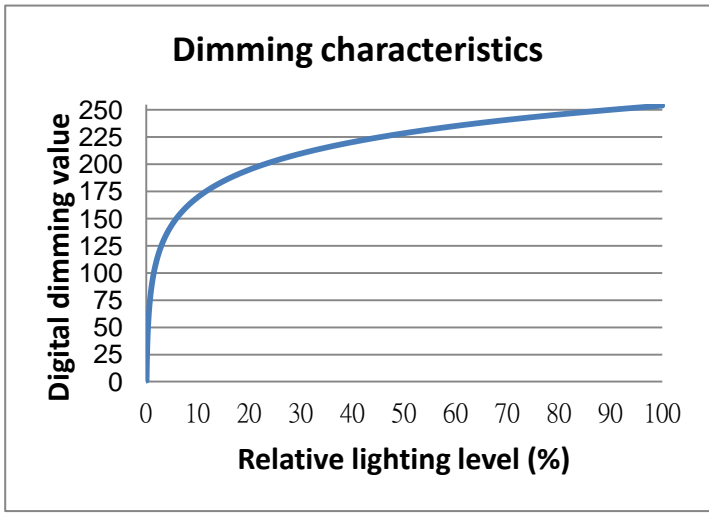
Item	Value	Remark
@850mA	9-35Vdc	
@900mA	9-34Vdc	
Maximum voltage	68Vdc	No load protection
Nominal current range		
@300mA	300mA	
@350mA	350mA	
@400mA	400mA	
@450mA	450mA	
@500mA	500mA	
@550mA	550mA	
@600mA	600mA	
@650mA	650mA	
@700mA	700mA	
@750mA	750mA	
@800mA	800mA	
@850mA	850mA	
@900mA	900mA	
Current accuracy	± 5%	Full load @ 230Vac
Typical output LF current ripple	± 7%	Low Frequency < 120Hz Full load @230VAC
Starting time	< 1 S	Full load @230VAC
Nominal power range		
@300mA	2.7-17.4W	
@350mA	3.2-20.3W	
@400mA	3.6-23.2W	
@450mA	4.1-26.1W	
@500mA	4.5-29W	
@550mA	5-30W	
@600mA	5.4-30W	
@650mA	5.9-30W	
@700mA	6.3-30W	
@750mA	6.8-30W	
@800mA	7.2-30W	
@850mA	7.7-30W	
@900mA	8.1-30W	
Maximum power	30W	
Output		
Dimming control	DALI / Push Dimming / 1-10V	
Dimming technique	Amplitude	
PWM frequency	NA	
Dimming range		
Primary Push & DALI Dimming	0-100%	
1-10V Dimming	2-100%	
Lowest dimming current	0.5-4%	
Galvanic isolation	The insulation between DALI and primary circuit is basis isolated and to the secondary circuit is double or reinforced insulation. The insulation between 0-10V / 1-10V control and primary circuit is double or reinforced insulated and to the secondary circuit is non-insulated.	

	Item	Value	Remark
<b>Environment</b>	Ambient temperature range $t_a$	-25°C - +50°C	
	Maximum case temperature $t_c$	85°C	
	Max. case temp. in fault condition	110°C	
	Storage temperature range	-40°C - +80°C	
	Relative humidity	85%	
	Surge transient protection	1kV	L/N
	Environmental rating	Indoor	
	IP rating	IP20	
	Mains switching cycles	> 10,000	
	Expected lifetime	> 50,000 h, $t_c$ 85 °C @ $t_a$ 50 °C > 100000 h, $t_c$ 75 °C @ $t_a$ 40 °C	0.2 % / 1,000 h failure rate 0.1 % / 1,000 h failure rate
<b>Packing</b>	Gross weight/Carton	8 kg	
	Net weight/Carton	7.5 kg	
	Pcs/Carton	50 PCS	
	Dimension/Carton	440(L)*365(W)*180(H)mm	
<b>Protections</b>			
	Short-circuit Protection	Auto recovery	
	Open-circuit Protection	Auto recovery	
	Overload Protection	Auto recovery	
<b>Conformity &amp; Standards</b>			
	Safety standard:	EN 61347-1, EN 61347-2-13	
	Performance:	EN 62384	
	EMC standard:	EN55015,EN61547,EN61000-3-2,EN61000-3-3	
	DALI protocol standard:	IEC62386-102,IEC62386-207	
<b>Cable information</b>			
<b>PRI</b> Connection			
	Cable cross-section	0.75-1.5□/AWG 18-16	
	Stripping	9mm	
	Pull test cable type	H03VV(H2)-F 2x0,75-1,5 mm <sup>2</sup> ,H05VV(H2)-F 2x0,75-1,5 mm <sup>2</sup>	
<b>Sec</b> Connection			
	Cable cross-section	0.75-1.5□/AWG 18-16	
	Stripping	9mm	
<b>Terminal information</b>			
<b>PRI</b> -Push button			
<b>SEC</b> -Push button			
<b>DALI</b> -Push button			

\* If not mentioned, all the test conditions are based on full load at 230VAC input (for 220-240 VAC input).

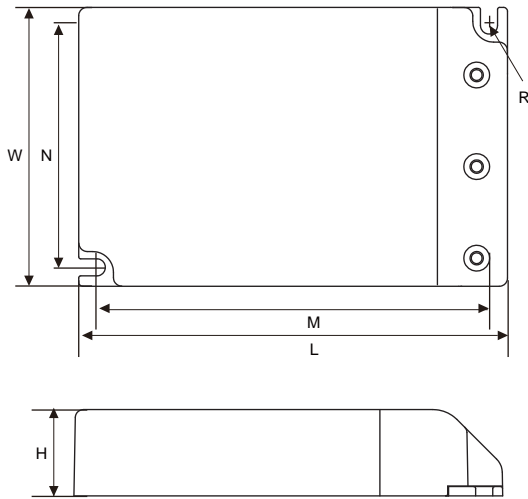
\*Subject to change without notice, HEP guarantees all products perform functionally well\*

**Electrical Values**



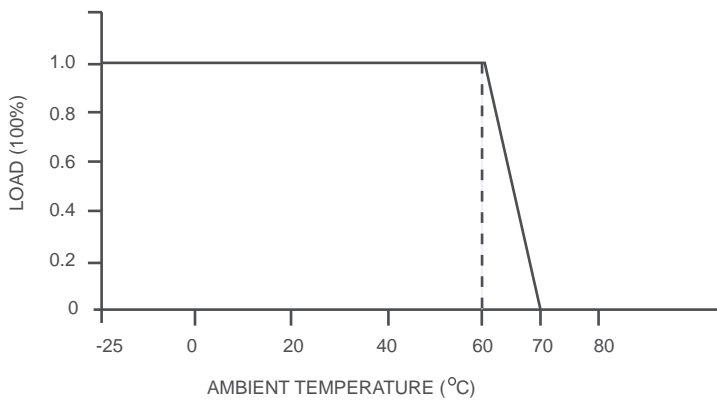
# Physical

## Parameter

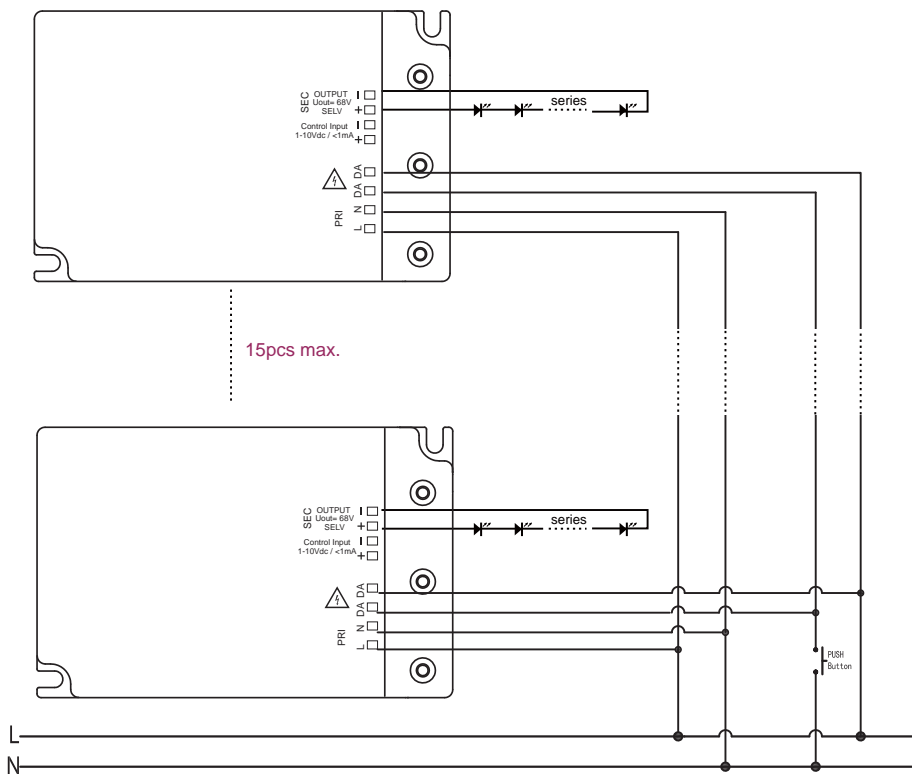


L : 103 mm    W: 67 mm    H : 22 mm  
M : 94.2 mm    N : 58.1 mm    R : 2.05 mm  
Tolerance : +/-3 mm

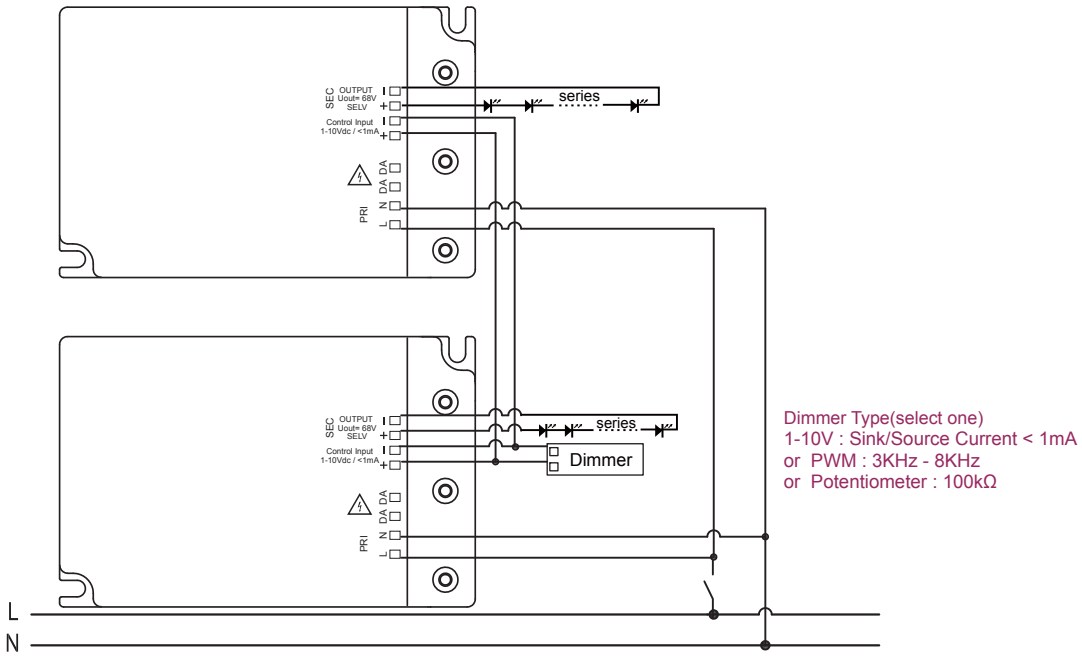
## Derating



## Push Dim



1-10V Dim



DALI Dim

