



**Approval Marks**



	Item	Value	Remark
Input	Nominal voltage	220–240V	
	Nominal frequency	50–60Hz	
	AC voltage range	198–264V	
	DC voltage range (start)	NA	
	DC voltage range (operation)	280-340V	
	Nominal current	320mA	
	Total Harmonic Distortion (THD)	< 10%	Full load @230VAC
	Power factor	0.85C-0.98	Full load @230VAC
	Displacement factor	0.85C-0.98	Full load @230VAC
	Efficiency	86% (Typ.)	Full load @230VAC
	No-load power	NA	
	Stand-by power	< 0.5W	
	Networked standby power	< 0.5W	
	Protection class	II	Suitable for class II luminaires
Inrush current	35 A / 35 us		
Earth leakage current	NA		
Output	Nominal voltage range		
	900-1200mA	20-50 Vdc	
	1300mA	20-46 Vdc	
	1400mA	20-43 Vdc	
	1500mA	20-40 Vdc	
	1650mA	20-36 Vdc	
	1750mA	20-34 Vdc	
	Maximum voltage	60 Vdc	
	Nominal current range	900-1750mA	
	Current accuracy	± 5%	Full load @230VAC
	Typical output LF current ripple	± 5%	Low Frequency< 120Hz Full load @230VAC
	Starting time	< 0.5 S	Full load @230VAC
	SVM	≤ 0.4	Full load @230VAC
	PstLM	≤ 1	Full load @230VAC
Nominal power range	18-60W		
Maximum power	60W		

Item	Value	Remark		
Dimming control	DALI	Touch Dim		
Dimming range	0.1-100%	5-100%		
Dimming	Lowest dimming current	0.05-0.2%	3.8-7.4%	@ Vo=35Vdc
	Dimming technique	Hybrid Dimming	Output Current >200mA-->Amplitude Output Current <200mA-->PWM	
PWM frequency	1kHz			
Galvanic isolation	Basic insulated to PRI and double insulated to SEC			
Ambient temperature range t <sub>a</sub>	-20°C - +50°C	Output current range ≤ 1500mA		
	-20°C - +45°C	Output current range >1500mA		
Maximum case temperature t <sub>c</sub>	80°C			
Max. case temp. in fault condition	110°C	When operating under fault conditions, the temperature of the enclosure at any location should not exceed 110 °C		
Storage temperature range	-40°C - +85°C			
Relative humidity	10% - 95%			
Surge transient protection	1 kV, 2kV	L/N , L-FE/N-FE		
Environmental rating	Indoor			
IP rating	IP20			
Mains switching cycles	>100,000			
Expected lifetime	> 50,000 h, tc 80 °C @ ta 45 °C	0.2 % / 1,000 h failure rate		
	> 75,000 h, tc 75 °C @ ta 40 °C	0.13 % / 1,000 h failure rate		
Packing	Gross weight/box	16.6 kg		
	Net weight/box	15.7 kg		
	Pcs/box	30 PCS		
	Dimension/box	490(L)*270(W)*225(H)mm		
Protections	Short- circuit protection	Auto recovery		
	Open- circuit protection	Auto recovery		
	Overload protection	Auto recovery		
<b>Conformity &amp; Standards</b>				
Safety standard:	EN 61347-1, EN 61347-2-13, EN 62493			
Performance:	EN 62384			
SAA standard:	AS/NZS 61347.1, AS/NZS IEC 61347.2.13			
EMC standard:	EN 55015, EN 61000-3-2, EN 61000-3-3, EN 61547			
DALI protocol standard:	EN 62386-101, EN 62386-102, EN 62386-207			
<b>Cable information</b>				
<b>PRI Connection</b>				
Cable cross-section	0.5-2.5 □/AWG 20-14			
Stripping	9mm			
<b>SEC Connection</b>				
Cable cross-section	0.5-1.5 □/AWG 20-16			
Stripping	9mm			
<b>DAL Connection</b>				
Cable cross-section	0.5-2.5 □/AWG 20-14			
Stripping	9mm			
<b>Terminal information</b>				
<b>PRI- Push button</b>				
<b>SEC- Push button/Angled Entry</b>				
<b>DALI- Push button</b>				

\* If not mentioned, all the test conditions are based on full load at 230VAC input (for 220-240 VAC input).

\*Subject to change without notice, HEP guarantees all products perform functionally well\*

## Current adjustable

### NFC Reader (optional)

Feature:

Easily on-line read a output current from a driver or write a new current data to a driver throughout HEP NFC reader within few seconds.



### APP NFC

Feature:

Quickly check output current of a LED driver simply via Android smart phone, as well as, correct or setup a new current data immediately with no extra equipment at any job site.

#### ICON



#### Main



#### QR Code

Google play

APK

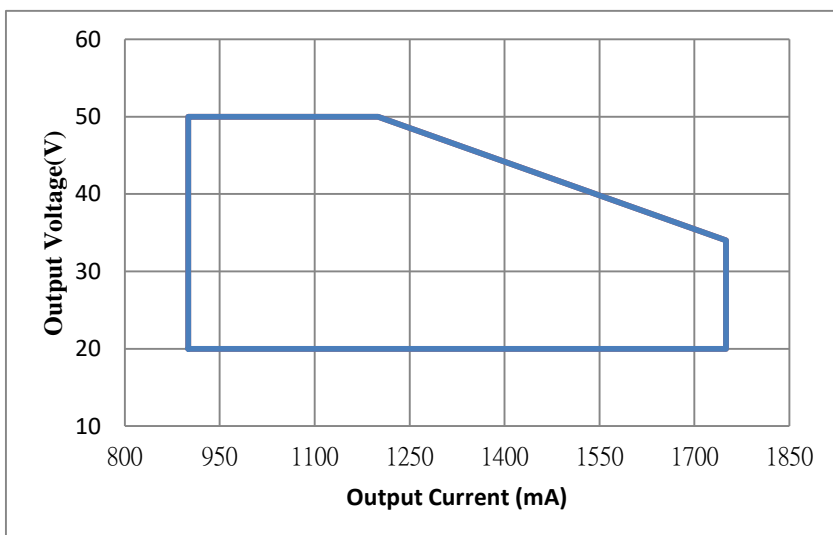


Android 4.2 Up

Smart phone with a NFC function

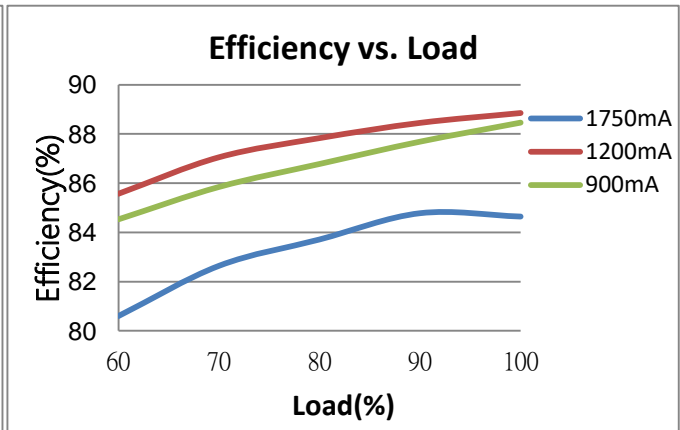
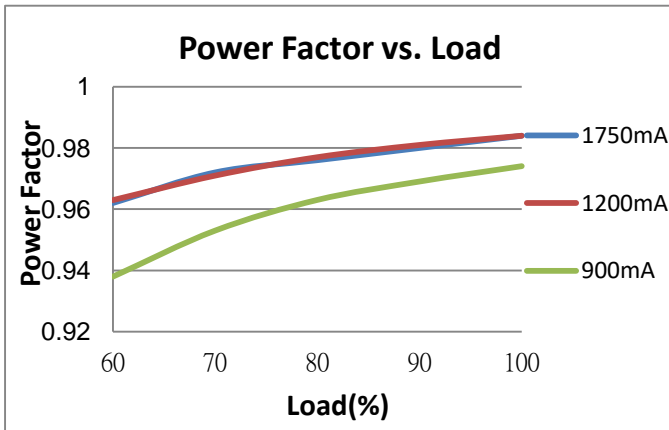
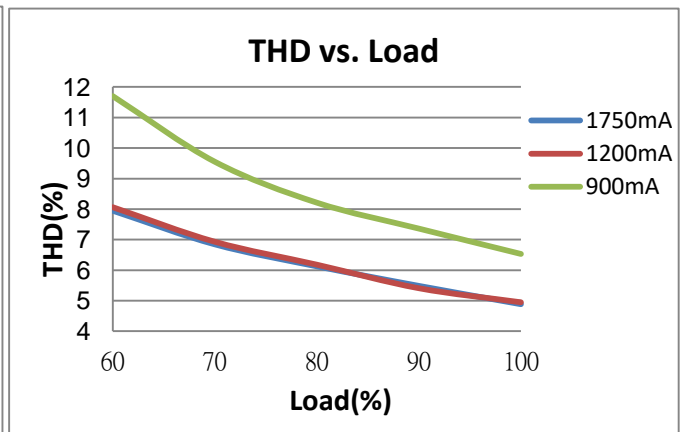
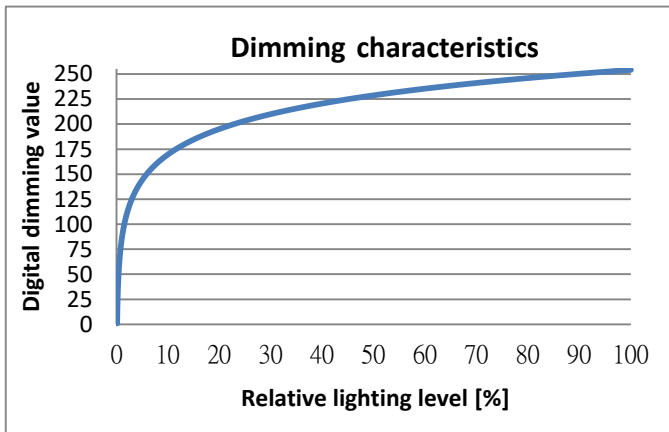
## Electrical Values

Output Power Range

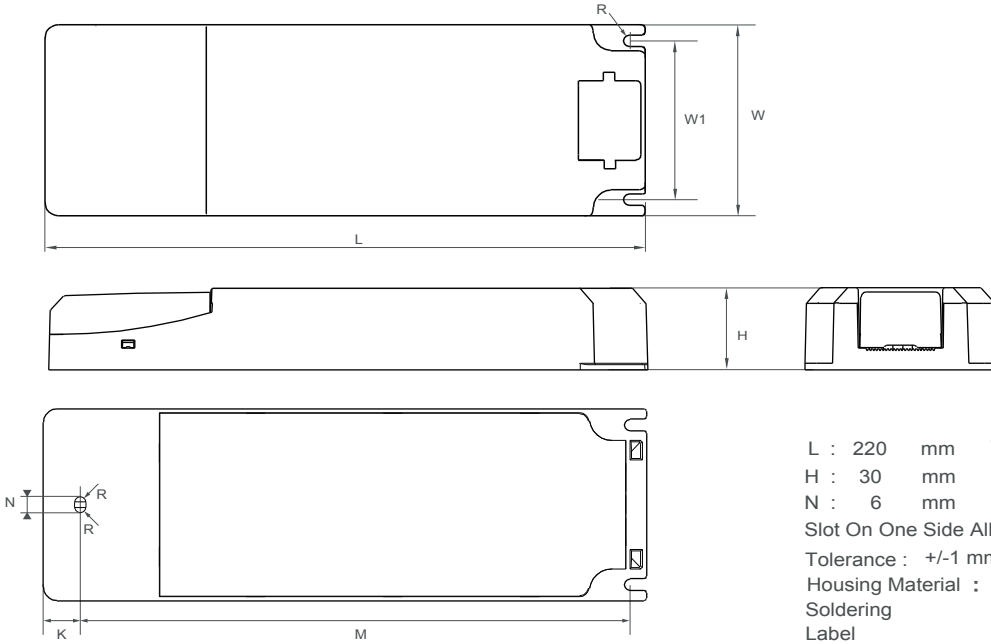


Output Current (mA)	Output Voltage Range (V)	Output Power Range (W)
1750	20-34	35-60
1700	20-35	34.0-60
1600	20-37.5	32-60
1500	20-40	30-60
1400	20-43	28-60
1300	20-46	26-60
1200	20-50	24-60
1100	20-50	22-55
1000	20-50	20-50
900	20-50	18-45

\* Upon client's special demand, customized current range in between 900 mA and 1750 mA could be specified as factory default from shipment. This default current range available revised again via NFC reader program at client's site, if necessary.

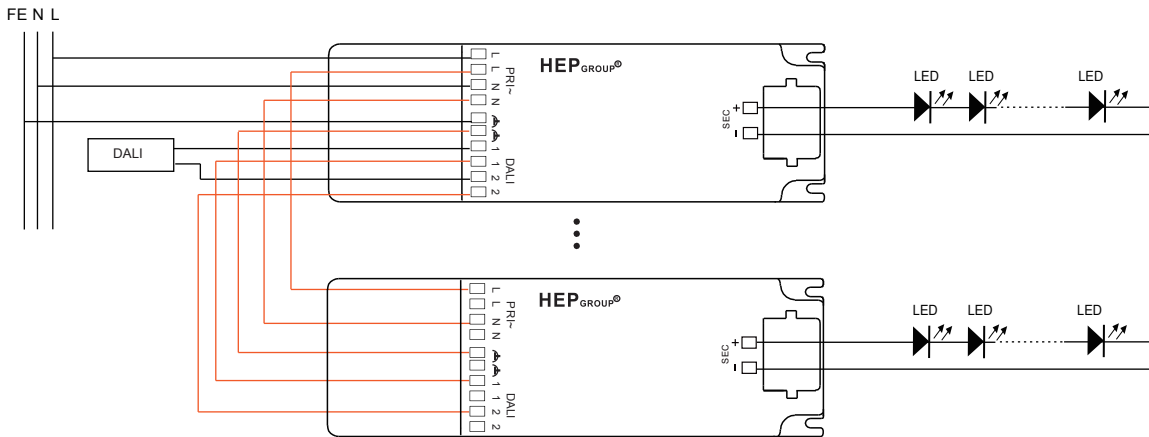


**Physical Parameter**

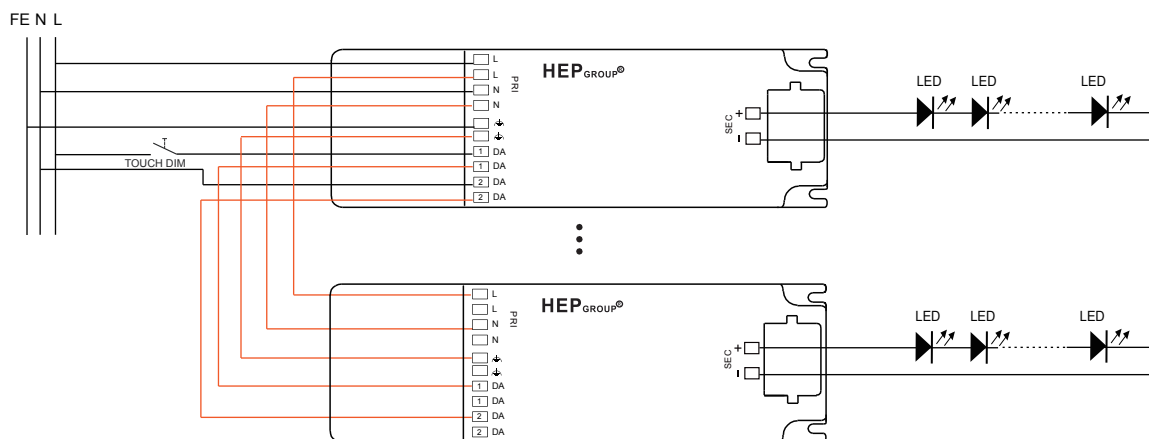


L : 220 mm    W : 70 mm    W1 : 58.2 mm  
 H : 30 mm    R : 2.1 mm    M : 200.5 mm  
 N : 6 mm    K : 13.5 mm  
 Slot On One Side Allowing Alignment : M+/-3 mm  
 Tolerance : +/-1 mm , R : +/-0.5 mm  
 Housing Material : Polycarbonate  
 Soldering : Lead - Free, Comply With RoHS  
 Label : Surface Print

**Wiring Diagram**  
**DALI system**



**TOUCH DIM**



**NFC Antenna Location**

