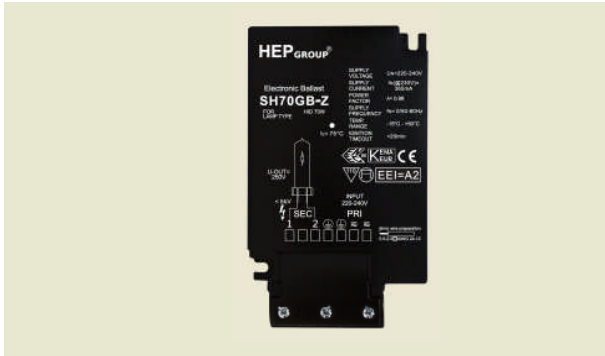


Electronic Ballast For HID Lamps

220-240V



Approval Marks



Certified
EN 61347-1 : 2008
EN 61347-2-12 : 2005

Complied
EN61547:2009
EN55015:2006+A2:2009
EN61000-3-2:2006+A2:2009
EN61000-3-3:2008

Product Specification

Parameter	Conditions	Min	Nom	Max	Unit
Lamp Power	25°C, Nominal Input	-	73	-	W
Input Power	25°C, Nominal Input	-	80	-	W
Rated Input Voltage	25°C	220	230	240	V
AC Input Voltage Range with Tolerance For Safety	25°C	198	-	264	V
Input Frequency	25°C	-	50-60	-	Hz
Input Current	25°C, Nominal Input	-	0.365	-	A
Power Factor	25°C, Nominal Input	0.93	0.98	1	-
Operating Frequency(Square Wave)	25°C, Nominal Input	-	200	-	Hz
Ignition Voltage	25°C, Nominal Input	-	3.50	5.00	KV
Withstand Voltage Test	1500V; 1min	-	5	-	mA
Operating Ambient Temperature	Nominal Input	-15	-	+50	degC
Max Allowed Case Temperature	Nominal Input; Normal Conditions	-	-	+75	degC
Average Service Life	at 50°C ambient	35,000	-	-	hours
Failure Rate Per 1000h Operation	at 50°C ambient	-	-	0.20%	-
End - Of - Life Protection			Yes		
Automatic Shutdown In Case Of Lamp Failure			Yes		
Thermal Protection			Yes		

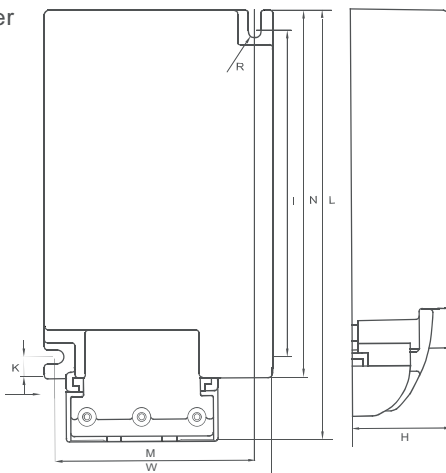
Lamp Type HID 70W Lamp x 1

Application Space

Indoor Use
(Low Humidity, No Condensation)

Physical

Parameter



L : 128.9 mm K : 6 mm
M : 65 mm R : 2.1 mm
W : 75.4 mm I : 97 mm
H : 32 mm N : 108.9 mm

Slot On One Side Allowing Alignment : M+/-3 mm Tolerance : ≥0 ~ 100 ≥ +/-0.5 mm
Terminal Block : PRI : Screw Type SEC: Screw Type 100 ~ ± +/-1 mm
Housing Material : Plastic, No sharp edges
Soldering : Lead-Free, Comply With RoHS
Label : Surface Print

Wiring Diagram

