



Approval



- LWC44W1050CALR-W
- LWC44W1050CALR-B
- LWC44W1050CALR-G

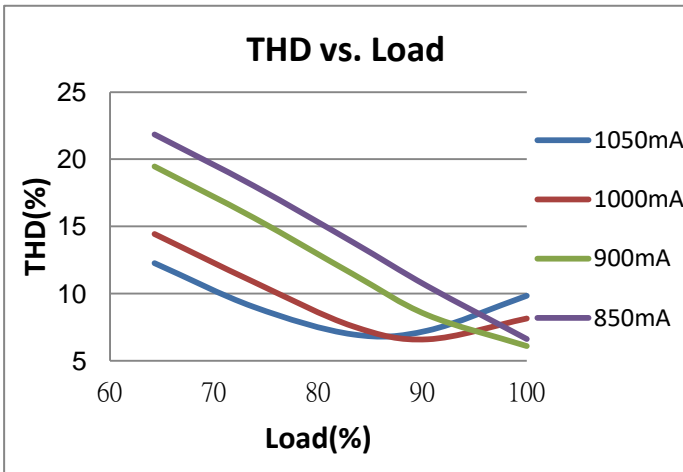
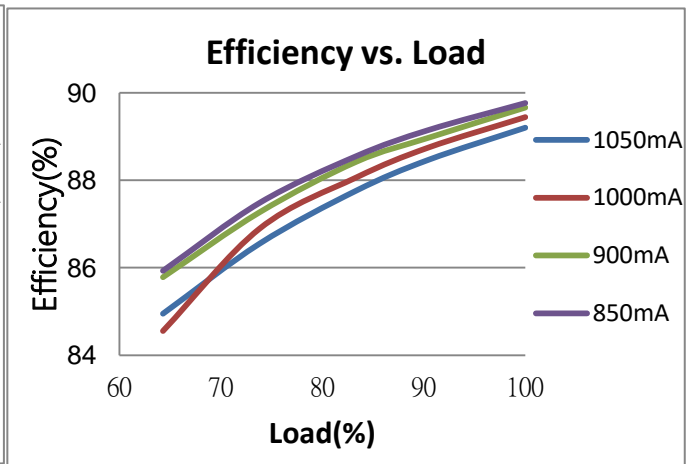
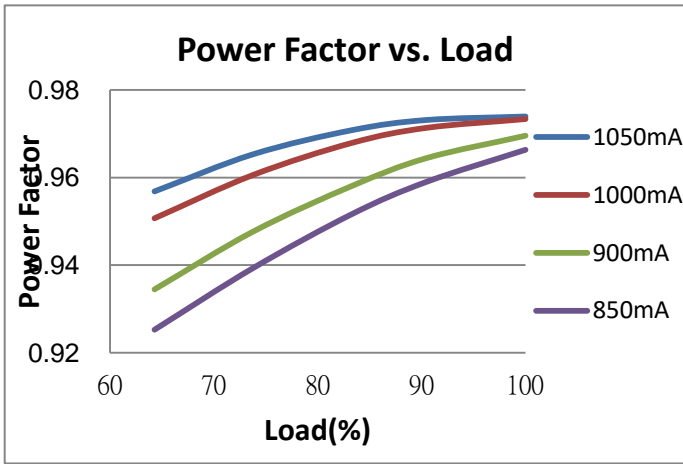
Item	Value	Remark
Nominal voltage	220 - 240 V	
Nominal frequency	50 - 60 Hz	
AC voltage range	198 - 264 V	
DC voltage range (start)	NA	
DC voltage range (operation)	NA	
Nominal current	300 mA	
Total Harmonic Distortion (THD)	< 20 %	Full load @230VAC
Power factor	0.9-0.96	Min-load @ 240Vac and Full-load @ 220 Vac
Displacement factor	0.9-0.96	Min-load @ 240Vac and Full-load @ 220 Vac
Efficiency	88 % (Typ.)	Full load @230VAC
No-load power	NA	
Stand-by power	NA	
Protection class	II	Suitable for class II luminaires
Inrush current	12.2 A / 320 us	
Max.units per circuit breaker	Type B , 10A MCB	16
	Type B , 16A MCB	26
	Type C , 10A MCB	20
	Type C , 16A MCB	32
Earth leakage current	NA	
Nominal voltage range	27 - 42 Vdc	
Maximum voltage	50 Vdc	
Nominal current range		Full load @230VAC
1050mA	1050 mA	
1000mA	1000 mA	
900mA	900 mA	
850mA	850 mA	
Current accuracy	± 7.5 %	Full load @230VAC
Typical output LF current ripple	± 3 %	Low Frequency< 120Hz Full load @230VAC
SVM	≤ 0.4	Full load @230VAC
P _{stLM}	≤ 1	Full load @230VAC
Starting time	< 0.5 S	Full load @230VAC

	Item	Value	Remark
Output	Nominal power range		
	1050mA	28.4 - 44.1 W	
	1000mA	27.0 - 42.0 W	
	900mA	24.3 - 37.8 W	
	850mA	23.0 - 35.7 W	
	Maximum power	44 W	
Environment	Ambient temperature range t_a	- 20 °C - + 35 °C	
	Maximum case temperature t_c	75 °C	
	Max. case temp. in fault condition	110 °C	When operating under fault conditions, the temperature of the enclosure at any location should not exceed 110 °C
	Storage temperature range	- 20 °C - + 80 °C	
	Relative humidity	10 % - 85 %	
	Surge transient protection	1 kV	L/N
	Environmental rating	Indoor	
	IP rating	IP20	
	Mains switching cycles	> 100,000	
	Expected lifetime	> 50,000 h , t_c 75 °C @ t_a 35 °C	
Packing	Net weight/pc	116 g	
	Pcs/Carton	50 PCS	
	Dimension/Carton	400 (L) * 325 (W) * 260 (H) mm	
Protections			
	Short-circuit Protection	Auto recovery	
	Open-circuit Protection	Auto recovery	
	Overload Protection	Auto recovery	
Conformity & Standards			
	Safety standard:	EN 61347-1, EN 61347-2-13	
	Performance:	EN 62384	
	EMC standard:	EN 55015, EN 61000-3-2, EN 61000-3-3, EN 61547	
Cable information			
PRI	Connection	+	
	Cable cross-section	0.5 - 1.5 \square / AWG 20 - 16	
	Stripping	8.5-9.5 mm	
Sec	Connection	-	
	Cable cross-section	0.5 - 1.5 \square / AWG 20 - 16	
	Stripping	8.5-9.5 mm	
Terminal information			
	PRI - Contact metal		
	SEC Push button/Angled Entry		

Subject to change without notice, HEP guarantees all products perform functionally well

* If not mentioned, all the test conditions are based on full load at 230VAC input (for 220-240 VAC input).

Electrical Values



Label

HEP GROUP®
HEP GmbH - Ramsloh 10
58579 Schalksmuehle - Germany
LED Driver
LWC44W1050CALR

UN= 220-240Vac
IN= 300mA max.
 $\lambda = 0.9\text{C}-0.9\text{C}$
fn= 50-60Hz
ta= -20°C - +35°C

tc= 75°C

Urange= 27-42Vdc
Irated= 850-1050mA const.
Prated= 23-44.1W
Uout= 50V max.
max. ratings
for output details see datasheet

Irated [mA]	DIP1	DIP2
1050	ON	ON
1000	-	ON
900	ON	-
850	-	-

DIP
Z I
NO

wire 0.75-1.5 \square
8.5-9.5mm

SEC
SELV

Physical

Parameter

L : 162.0 mm	W1 : 33.3 mm
W : 30.9 mm	W2 : 42.0 mm
H : 43.1 mm	H1 : 44.0 mm
N : 13.5 mm	K : 28.5 mm
M : 97.1 mm	

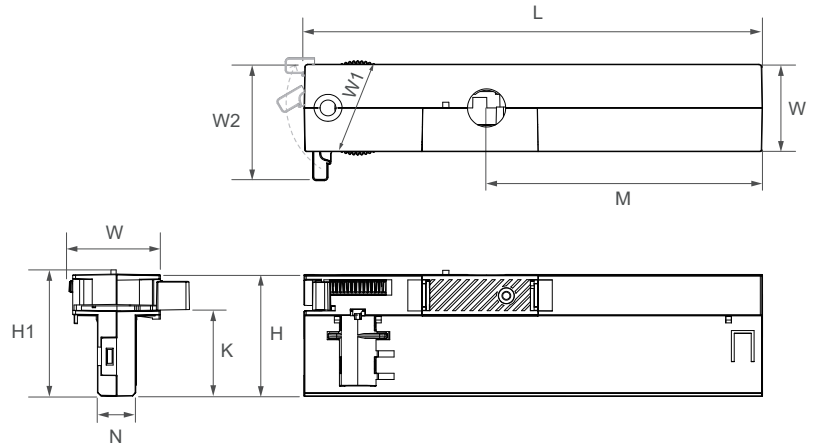
Slot On One Side Allowing Alignment : M+/-3 mm

Tolerance : +/-1 mm

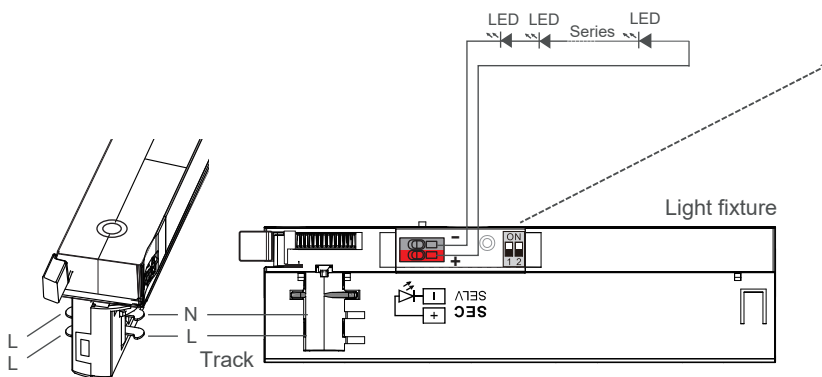
Housing Material : Polycarbonate

Soldering : Lead - Free, Comply With RoHS

Label : Surface Print



Wiring Diagram



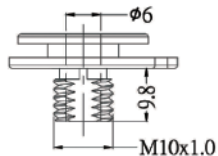
Dip Switch -

One driver offers 4 choosable output current



Current	Dip-switch setting	
	1	2
1050mA	ON	ON
1000mA	-	ON
900mA	ON	-
850mA	-	-

Lamp screw type



* Load-bearing : 50N(11lbs)

* Suitable for S-9009/D-M10 threaded nut.

The driver could be compatible with Powergear, STUCCHI on 3-phase-circuit track system.

Manufacturer	Type	System
STUCCHI	9000-XX	3-phase
Powergear	PRO-03XX-W	3-phase