



Approval



- LWC15W350CALR-W
- LWC15W350CALR-B
- LWC15W350CALR-G

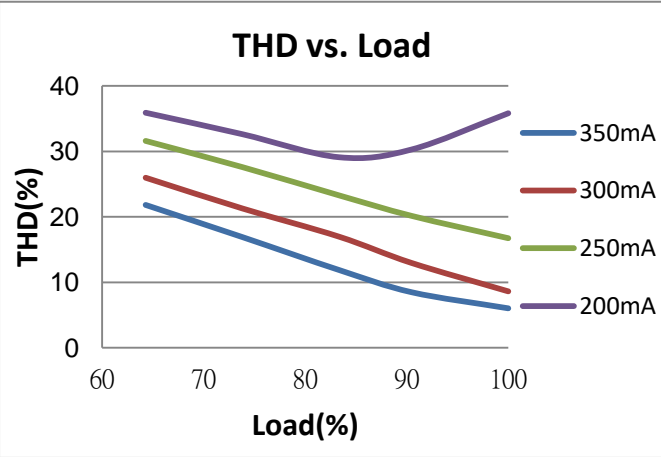
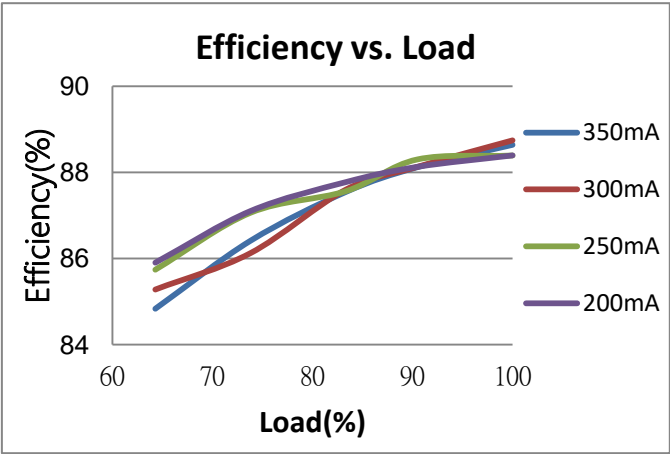
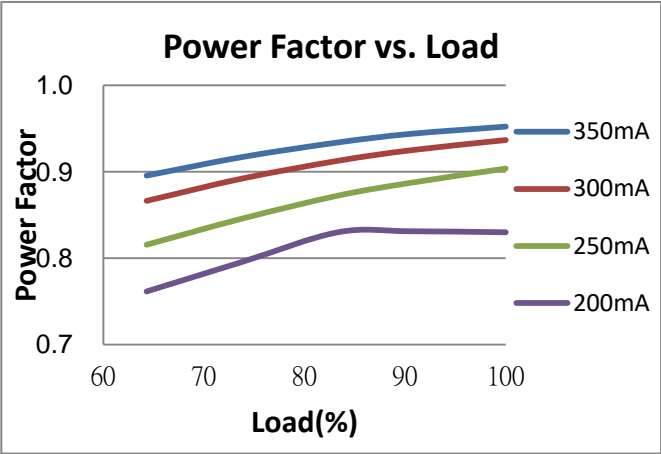
Item	Value	Remark	
Nominal voltage	220 - 240 V		
Nominal frequency	50 - 60 Hz		
AC voltage range	198 - 264 V		
DC voltage range (start)	NA		
DC voltage range (operation)	NA		
Nominal current	100 mA		
Total Harmonic Distortion (THD)	< 20 %	Full load @230VAC	
Power factor	0.7-0.96	Min-load @ 240Vac and Full-load @ 220 Vac	
Displacement factor	0.7-0.96	Min-load @ 240Vac and Full-load @ 220 Vac	
Efficiency	88 % (Typ.)	Full load @230VAC	
No-load power	NA		
Stand-by power	NA		
Protection class	II	Suitable for class II luminaires	
Inrush current	8.6 A / 280 us		
Max.units per circuit breaker	Type B , 10A MCB	35	
	Type B , 16A MCB	55	
	Type C , 10A MCB	58	
	Type C , 16A MCB	90	
Earth leakage current	NA		
Nominal voltage range	27 - 42 Vdc		
Maximum voltage	50 Vdc		
Nominal current range		Full load @230VAC	
Output	350mA	350 mA	
	300mA	300 mA	
	250mA	250 mA	
	200mA	200 mA	
	Current accuracy	± 7.5 %	Full load @230VAC
	Typical output LF current ripple	± 3 %	Low Frequency < 120Hz Full load @230VAC
	SVM	≤ 0.4	Full load @230VAC
	P _{stLM}	≤ 1	Full load @230VAC
Starting time	< 0.5 S	Full load @230VAC	

	Item	Value	Remark
Output	Nominal power range		
	350mA	9.5 - 14.7 W	
	300mA	8.1 - 12.6 W	
	250mA	6.8 - 10.5 W	
	200mA	5.4 - 8.4 W	
	Maximum power	15 W	
Environment	Ambient temperature range t_a	- 20 °C - + 35 °C	
	Maximum case temperature t_c	50 °C	
	Max. case temp. in fault condition	110 °C	When operating under fault conditions, the temperature of the enclosure at any location should not exceed 110 °C
	Storage temperature range	- 20 °C - + 80 °C	
	Relative humidity	10 % - 85 %	
	Surge transient protection	1 kV	L/N
	Environmental rating	Indoor	
	IP rating	IP20	
	Mains switching cycles	> 100,000	
	Expected lifetime	> 50,000 h, t_c 50 °C @ t_a 35 °C	
Packing	Net weight/pc	116 g	
	Pcs/Carton	50 PCS	
	Dimension/Carton	400 (L) * 325 (W) * 260 (H) mm	
Protections			
	Short-circuit Protection	Auto recovery	
	Open-circuit Protection	Auto recovery	
	Overload Protection	Auto recovery	
Conformity & Standards			
	Safety standard:	EN 61347-1, EN 61347-2-13	
	Performance:	EN 62384	
	EMC standard:	EN 55015, EN 61000-3-2, EN 61000-3-3, EN 61547	
Cable information			
PRI	Connection	+	
	Cable cross-section	0.5 - 1.5 \square / AWG 20 - 16	
	Stripping	8.5-9.5 mm	
Sec	Connection	-	
	Cable cross-section	0.5 - 1.5 \square / AWG 20 - 16	
	Stripping	8.5-9.5 mm	
Terminal information			
	PRI - Contact metal		
	SEC Push button/Angled Entry		

Subject to change without notice, HEP guarantees all products perform functionally well

* If not mentioned, all the test conditions are based on full load at 230VAC input (for 220-240 VAC input).

Electrical Values



Label

HEP GROUP® HEP GmbH - Ramsloh 10 58579 Schalksmuehle - Germany LED Driver LWC15W350CALR		UN= 220-240Vac IN= 100mA max. $\lambda = 0.7\text{C}-0.9\text{C}$ fn= 50-60Hz ta= -20°C - +35°C	Urange= 27-42Vdc Irated= 200-350mA const. Prated= 5.4-14.7W Uout= 50V max. max. ratings for output details see datasheet	<table border="1"> <tr> <th>Irated [mA]</th> <th>DIP1</th> <th>DIP2</th> </tr> <tr> <td>350</td> <td>ON</td> <td>ON</td> </tr> <tr> <td>300</td> <td>ON</td> <td>-</td> </tr> <tr> <td>250</td> <td>-</td> <td>ON</td> </tr> <tr> <td>200</td> <td>-</td> <td>-</td> </tr> </table>	Irated [mA]	DIP1	DIP2	350	ON	ON	300	ON	-	250	-	ON	200	-	-
Irated [mA]	DIP1	DIP2																	
350	ON	ON																	
300	ON	-																	
250	-	ON																	
200	-	-																	
		DIP 																	

Physical

Parameter

L	: 162.0 mm	W1	: 33.3 mm
W	: 30.9 mm	W2	: 42.0 mm
H	: 43.1 mm	H1	: 44.0 mm
N	: 13.5 mm	K	: 28.5 mm
M	: 97.1 mm		

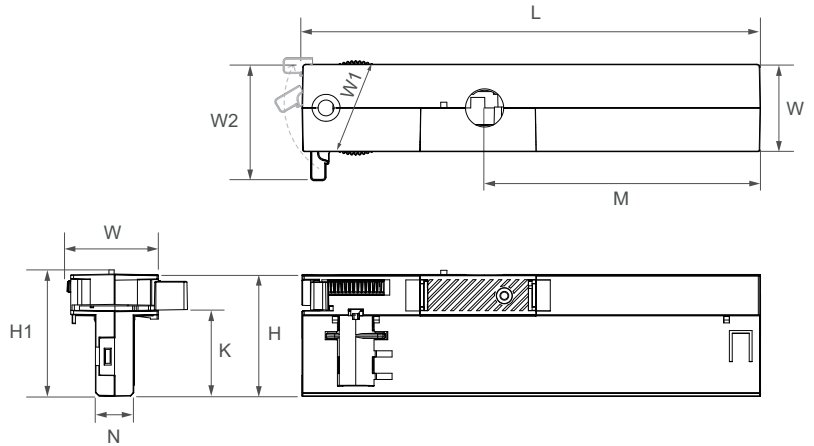
Slot On One Side Allowing Alignment : M+/-3 mm

Tolerance : +/-1 mm

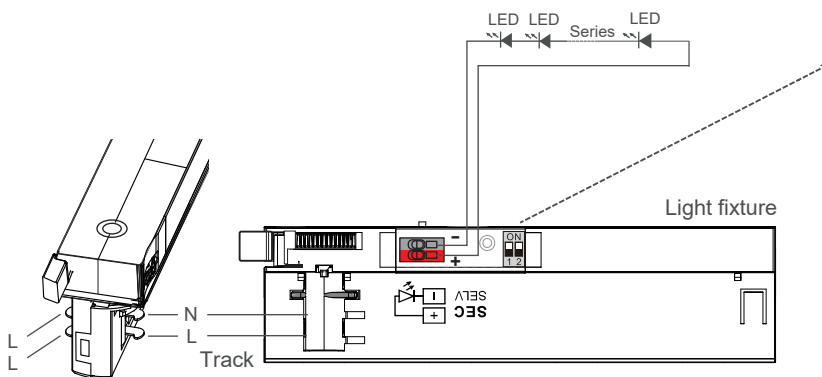
Housing Material : Polycarbonate

Soldering : Lead - Free, Comply With RoHS

Label : Surface Print



Wiring Diagram



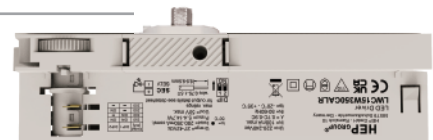
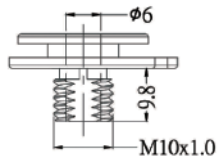
Dip Switch -

One driver offers 4 choosable output current



Current	Dip-switch setting	
	1	2
350mA	ON	ON
300mA	ON	-
250mA	-	ON
200mA	-	-

Lamp screw type



* Load-bearing : 50N(11lbs)

* Suitable for S-9009/D-M10 threaded nut.

The driver could be compatible with Powergear, STUCCHI on 3-phase-circuit track system.

Manufacturer	Type	System
STUCCHI	9000-XX	3-phase
Powergear	PRO-03XX-W	3-phase