



Approval Marks



	Item	Value	Remark
Input	Nominal voltage	120 - 277 V	
	Nominal frequency	50 - 60 Hz	
	AC voltage range	108 - 305 V	
	DC voltage range (start)	NA	
	DC voltage range (operation)	NA	
	Nominal current	500 mA	Full load @120VAC
	Total Harmonic Distortion (THD)	< 10 %	Full load @120/230VAC
	Power factor	0.95	Full load @120/230VAC
	Displacement factor	0.95	Full load @120/230VAC
	Efficiency	88 % (Typ.)	Full load @230VAC(1000mA/50V)
	No-load power	NA	
	Stand-by power	< 0.3 W	
	Networked standby power	< 0.3 W	
	Protection class	NA	
Inrush current	30 A / 30 us	Full load @277VAC	
Earth leakage current	NA		
Output	Nominal voltage range		
	500-1000mA	20 - 50 Vdc	
	1100mA	20 - 45.45 Vdc	
	1200mA	20 - 41.67 Vdc	
	1300mA	15 - 36 Vdc	
	1400mA	15 - 33 Vdc	
	1500mA	15 - 30 Vdc	
	Maximum voltage	60 Vdc	
	Output channels	1	
	Nominal current range	500 - 1500 mA	Adjusted via NFC program Factory default 500mA
	Current accuracy	± 5 %	Full load @120/230VAC
	Typical output LF current ripple	± 2.5 %	Low Frequency < 120Hz Full load @230VAC
	Starting time	< 0.75 S	Full load @120VAC
		< 1 S	Full load @230VAC
SVM	≤ 0.4	Full load @230VAC	
P _{stLM}	≤ 1	Full load @230VAC	
Nominal power range	10 - 50 W		
Maximum power	50 W		
Color tuning range	NA		
Dimming	Dimming control	DALI/Touch-Dim	
	Dimming range	0.1-100%	see the dimming curve
	Lowest dimming current	0.05-0.15%	@V _o =35Vdc
	Dimming technique	Hybrid Dimming	O/P current ≥ 200 mA operated @ Amplitude mode O/P current < 200 mA operated @ PWM mode
	PWM frequency	1000 HZ	
	Galvanic isolation	Basic insulated to PRI and double insulated to SEC	

Item	Value		Remark
Environment	Ambient temperature range t _a	- 20 °C - + 50 °C	
	Maximum case temperature t _c	85 °C	
	Max. case temp. in fault condition	110 °C	When operating under fault conditions, the temperature of the enclosure at any location should not exceed 110 °C
	Storage temperature range	- 40 °C - + 85 °C	
	Relative humidity	10 % - 95 %	
	Surge transient protection	1 kV	L/N
Environment	Environmental rating	Indoor	
	IP rating	IP20	
	Mains switching cycles	> 100,000	
	Expected lifetime		
	Full load 45W-50W	> 50,000 h, t _c 85 °C @ t _a 50 °C	0.2 % / 1,000 h failure rate
Output load ≤ 35W	> 50,000 h, t _c 85 °C @ t _a 60 °C	0.2 % / 1,000 h failure rate	
Packing	Gross weight/box	18.3 kg	
	Net weight/box	17 kg	
	Pcs/box	54 PCS	Built-in
		PCS	independent
Dimension/box	385 (L) * 310 (W) * 260 (H) mm		
Protections			
Short-circuit Protection	Auto recovery		
Open-circuit Protection	Auto recovery		
Overload Protection	Auto recovery		
Conformity & Standards			
Safety standard:	EN 61347-1, EN 61347-2-13, EN 62493		
Performance:	EN 62384		
EMC standard:	EN 55015, EN 61000-3-2, EN 61000-3-3, EN 61547		
DALI protocol standard:	EN62386-101 , EN62386-102 , EN 62386-207(DT6)		
Cable information	PRI Connection		
	Cable cross-section	0.5 - 1.5 □ / AWG	20 - 16
	Stripping	9 mm	
	SEC Connection		
	Cable cross-section	0.5 - 1.5 □ / AWG	20 - 16
	Stripping	9 mm	
Cable information	DALI Connection		
	Cable cross-section	0.5 - 1.5 □ / AWG	20 - 16
Stripping	9 mm		
Terminal	PRI-	Push button/Angled Entry	
	SEC-	Push button/Angled Entry	
	DALI-	Push button/Angled Entry	

Subject to change without notice, HEP guarantees all products perform functionally well

* If not mentioned, all the test conditions are based on full load at 120/230VAC input (for 120-277 VAC input).

Current adjustable

Output current/Color temperature can be adjusted by NFC reader and APP

NFC Reader (optional)

Feature:

Easily on-line read a output current from a driver or write a new current data to a driver throughout HEP NFC reader within few seconds.



NFC APP

Feature:

Quickly check output current of a LED driver simply via Android smart phone, as well as, correct or setup a new current data immediately with no extra equipment at any job site.

ICON



Main



QR Code

Google play



APK



Android 6.0 Up
Smart phone with a NFC function

Electrical Values

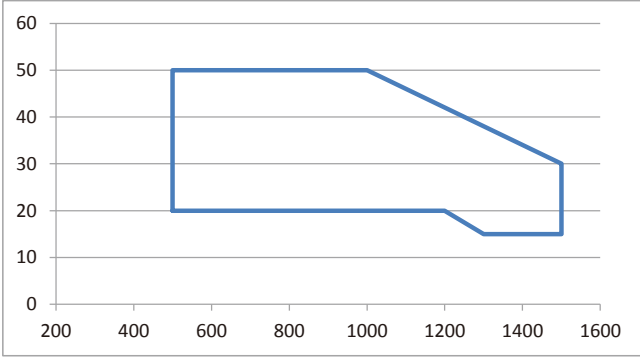
Output Power Range

Output Current (mA)	Output Voltage Range (V)	Output Power Range (W)
1500	15-30	22.5-45.0
1400	15-33	21.0-46.2
1300	15-36	24.0-50.0
1200	20-41.67	24.0-50.0
1100	20-45.45	22.0-50.0
1000-500	20-50	10.0-50.0

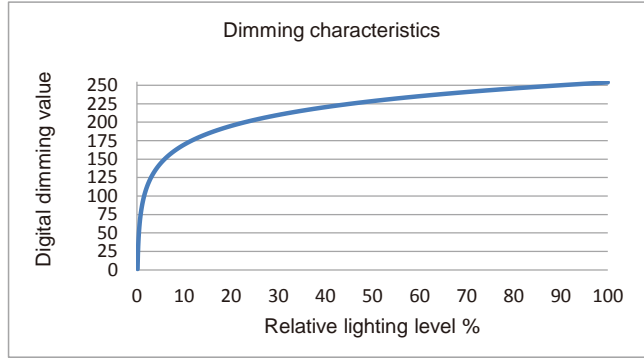
* Upon client's special demand, customized current range in between 500 mA and 1500 mA could be specified as factory default from shipment. This default current range available revised again via NFC reader program at client's site, if necessary.

V/I Curve

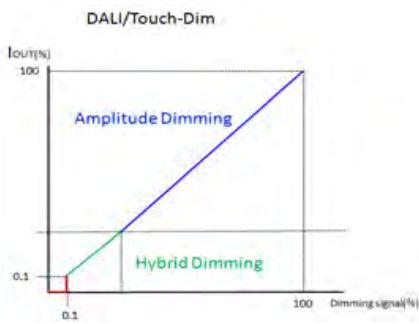
Output Power Range



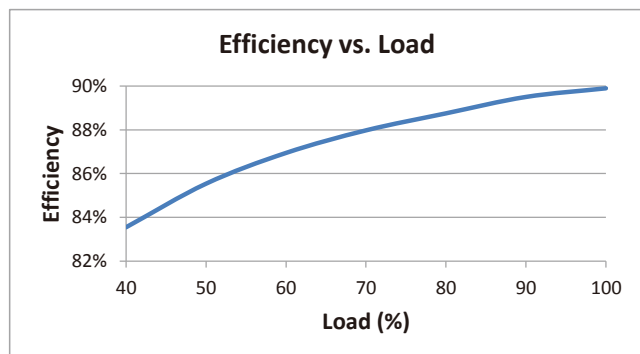
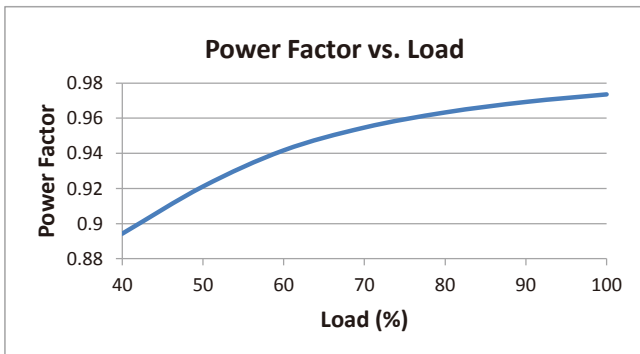
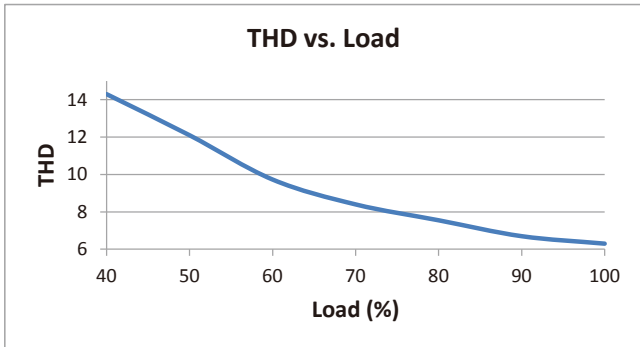
DALI Curve



Dimming Curve

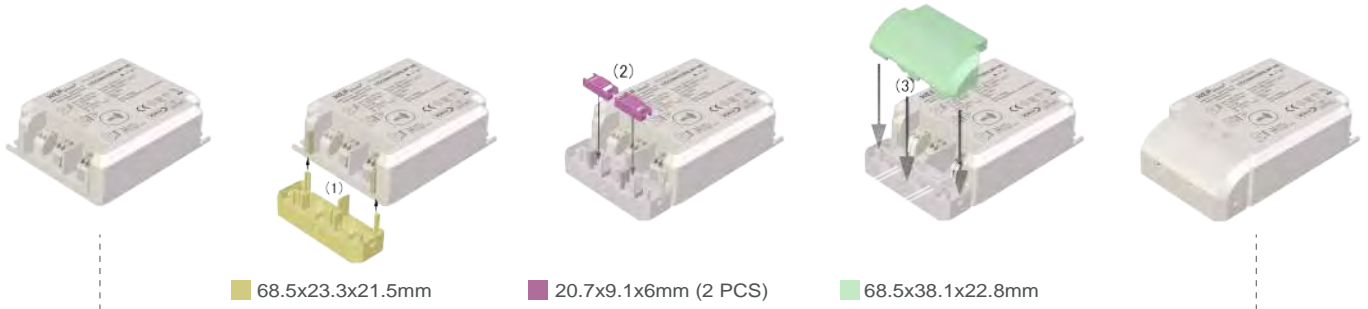


Electrical Values



**Physical
Parameter**

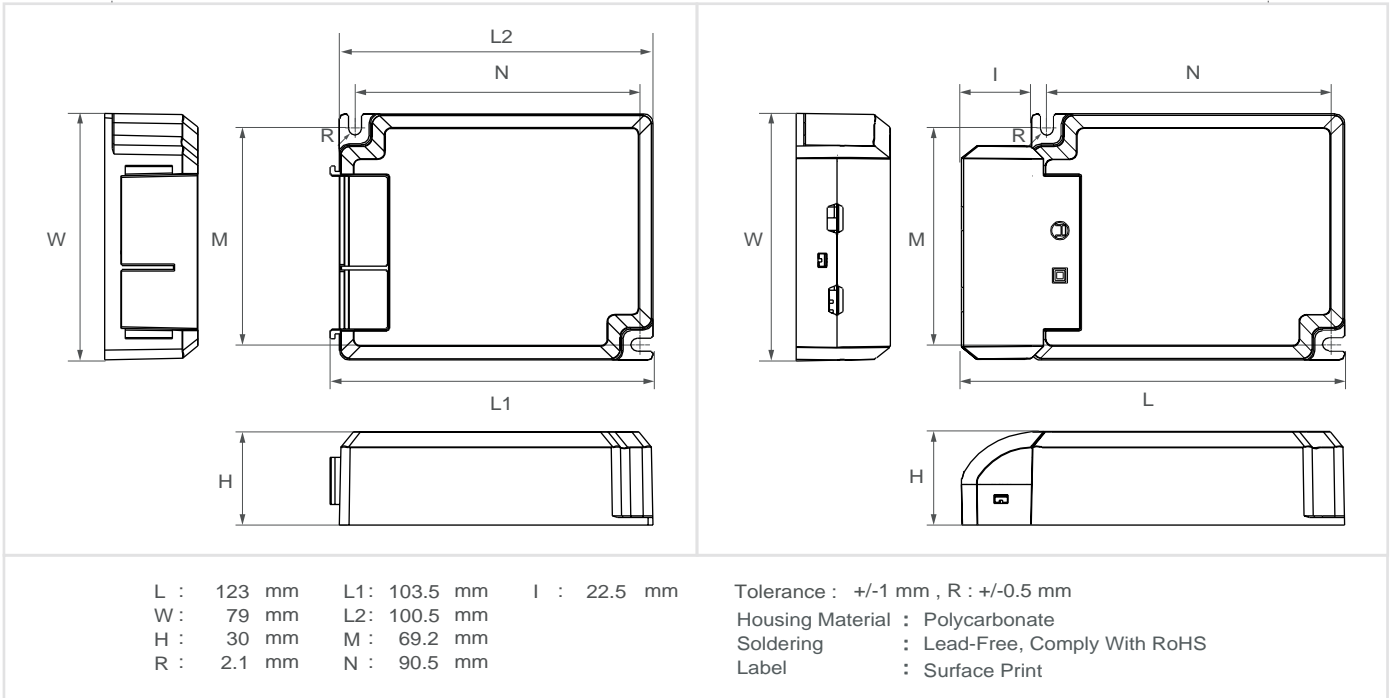
▼ By adding side covers the built-in type simply easy as an independent unit.



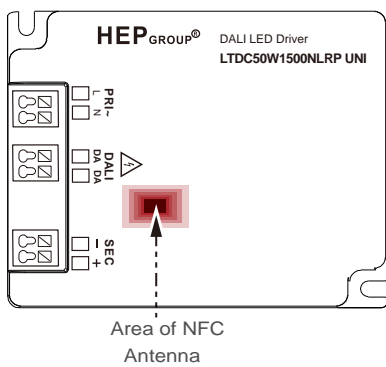
■ 68.5x23.3x21.5mm

■ 20.7x9.1x6mm (2 PCS)

■ 68.5x38.1x22.8mm

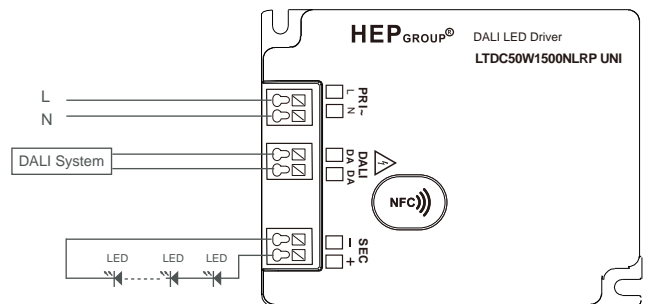


NFC Antenna Location



Wiring Diagram

DALI system



TOUCH DIM

