



Item	Value	Remark
Nominal voltage	120 - 277 V	
Nominal frequency	50 - 60 Hz	
AC voltage range	108 - 305 V	
DC voltage range (start)	NA	
DC voltage range (operation)	NA	
Nominal current	430 mA	
Total Harmonic Distortion (THD)	< 10 %	Full load @ 120/230VAC
Power factor	0.7-0.9 C	Full load @ 120/230VAC
Displacement factor	0.7-0.9 C	Full load @ 120/230VAC
Efficiency	86 % (Typ.)	Full load @ 120/230VAC
No-load power	NA	
Stand-by power	NA	
Networked standby power	NA	
Protection class	NA	
Inrush current	15 A / 30 us	Full load @ 230VAC
Max.units per circuit breaker	Type B , 10A MCB	9
	Type B , 16A MCB	15
	Type C , 10A MCB	12
	Type C , 16A MCB	19
Earth leakage current	NA	
Nominal voltage range	14 - 36 Vdc	
Maximum voltage	53 Vdc	
Nominal current range	1100 - 1400 mA	Adjusted via Dip switch Factory default 1100mA
Current accuracy	± 5 %	Full load @ 120/230VAC
Typical output LF current ripple	± 5 %	Low Frequency < 120Hz Full load @ 120/230VAC
SVM	≤ 0.4	Full load @ 120/230VAC
PstLM	≤ 1	Full load @ 120/230VAC
Starting time	< 0.5 S	Full load @ 230VAC
	< 0.75 S	Full load @ 120VAC
Nominal power range	15.4 - 40.6 W	
Maximum power	40.6 W	
Color tuning range	NA	
Dimming control	NA	
Dimming range	NA	
Lowest dimming current	NA	
Dimming technique	NA	
PWM frequency	NA	
Galvanic isolation	NA	
Ambient temperature range t_a	- 20 °C - + 50 °C	
Maximum case temperature t_c	85 °C	
Max. case temp. in fault condition	110 °C	When operating under fault conditions, the temperature of the enclosure at any location should not exceed 110 °C
Storage temperature range	- 40 °C - + 85 °C	
Relative humidity	10 % - 95 %	
Surge transient protection	1 kV	L/N

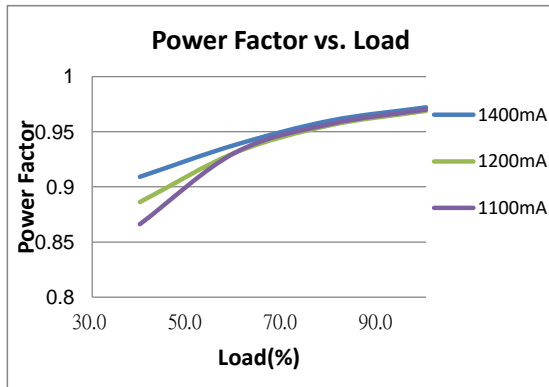
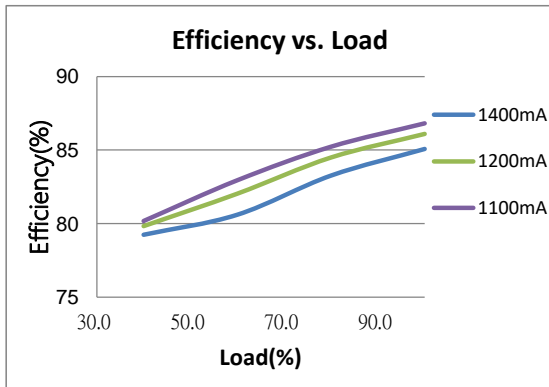
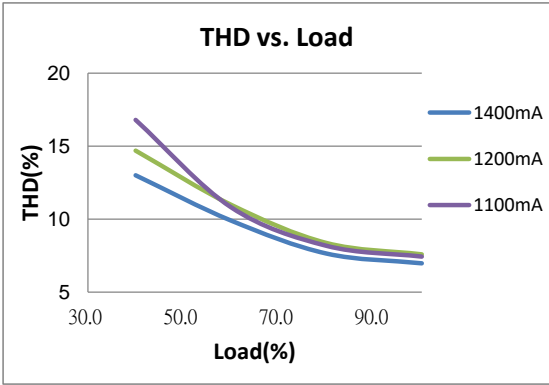
	Item	Value	Remark
Environment	Environmental rating	Indoor	
	IP rating	IP20	
	Mains switching cycles	> 100,000	
	Expected lifetime		
	Full load 39.6W-40.6W	> 50,000 h, tc 85 °C @ ta 50 °C	0.2 % / 1,000 h failure rate
	Output load ≤ 32W	> 42,000 h, tc 85 °C @ ta 60 °C	0.24 % / 1,000 h failure rate
Packing	Built-in		
	Gross weight/box	11.5 kg	
	Net weight/box	10.4 kg	
	Pcs/box	54 PCS	
	Dimension/box	385 (L) * 310 (W) * 260 (H) mm	
	Independent		
	Gross weight/box	11.2 kg	
	Net weight/box	10 kg	
	Pcs/box	48 PCS	
	Dimension/box	490 (L) * 270 (W) * 225 (H) mm	
Protections			
	Short-circuit Protection	Auto recovery	
	Open-circuit Protection	Auto recovery	
	Overload Protection	Auto recovery	
Conformity & Standards			
	Safety standard:	EN 61347-1, EN 61347-2-13, EN 62493	
	Performance:	EN 62384	
	EMC standard:	EN 55015, EN 61000-3-2, EN 61000-3-3, EN 61547	
Cable information	PRI Connection		
	Cable cross-section	0.5 - 1.5	□ / AWG 20 - 16
	Stripping	9 mm	
	SEC Connection		
	Cable cross-section	0.5 - 1.5	□ / AWG 20 - 16
	Stripping	9 mm	
Terminal	PRI-	Push button/Angled Entry	
	SEC-	Push button/Angled Entry	

Subject to change without notice, HEP guarantees all products perform functionally well

* If not mentioned, all the test conditions are based on full load at 120/230VAC input (for 120-277 VAC input).

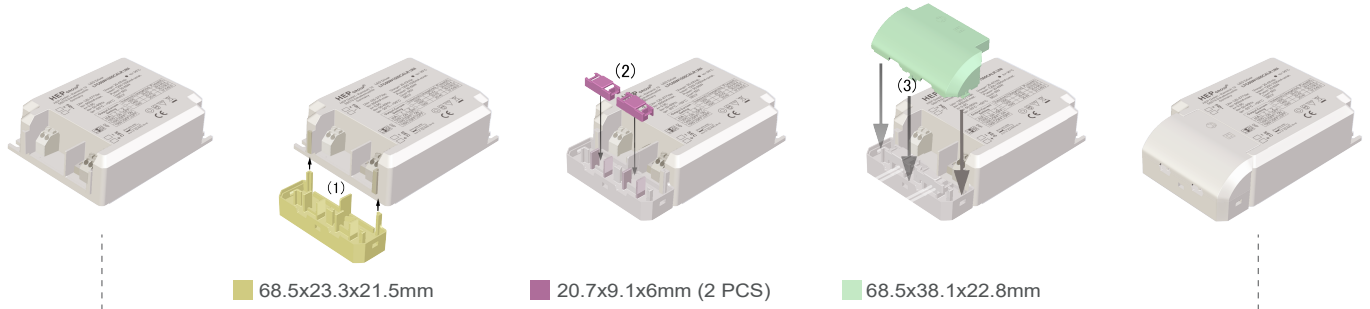
Electrical Values

Output Current (mA)	Output Voltage Range (V)	Output Power Range (W)
1400	14-29	19.6-40.6
1200	14-33	16.8-39.6
1100	14-36	15.4-39.6



**Physical
Parameter**

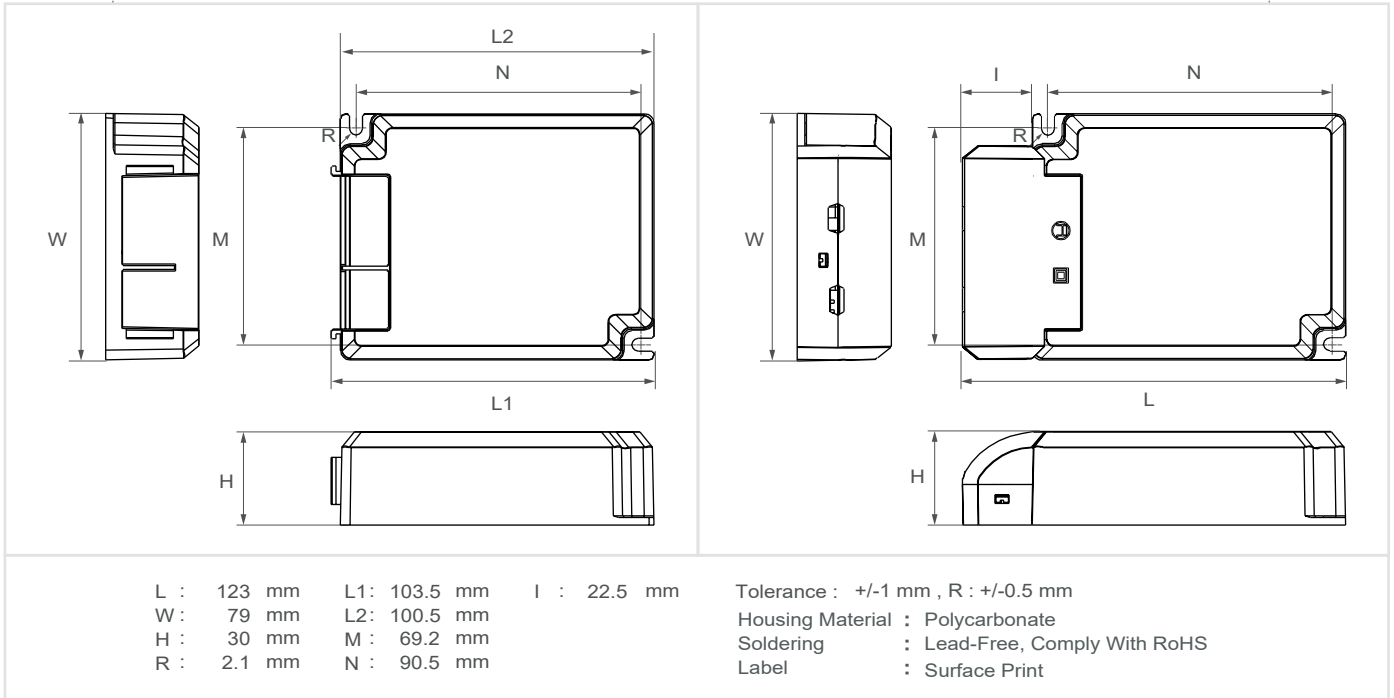
▼ By adding side covers the built-in type simply easy as an independent unit.



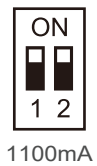
■ 68.5x23.3x21.5mm

■ 20.7x9.1x6mm (2 PCS)

■ 68.5x38.1x22.8mm



Dip Switch - One driver offers 3 choosable output current



Current	Dip-switch setting	
	1	2
1100mA	ON	ON
1200mA	ON	-
1400mA	-	-

WiringDiagram

