

Approval Marks



Item	Value	Remark
Nominal voltage	220–240V	
Nominal frequency	50–60Hz	
AC voltage range	198–264V	
DC voltage range (start)	NA	
DC voltage range (operation)	NA	
Nominal current	60mA	Full load @230VAC
Total Harmonic Distortion (THD)	< 25%	Full load @230VAC
Power factor	0.9C	Full load @230VAC
Displacement factor	0.9C	Full load @230VAC
Efficiency		Full load @230VAC
Input	LSTC7W150/200LRP	79% (Typ.)
	LSTC7W180LRP	78% (Typ.)
	LSTC7W250/300/350LRP	76% (Typ.)
	LSTC7W500LRP	73% (Typ.)
	No-load power	NA
Stand-by power	NA	
Protection class	NA	
Inrush current	15 A / 30 us	
Max.units per circuit breaker	Type B , 10A MCB	61
	Type B , 16A MCB	97
	Type C , 10A MCB	76
	Type C , 16A MCB	121
Earth leakage current	NA	
Output	Nominal voltage range	
	LSTC7W150LRP	25–42Vdc
	LSTC7W180LRP	21–41Vdc
	LSTC7W200LRP	21–38Vdc
	LSTC7W250LRP	16–26Vdc
	LSTC7W300LRP	14–24Vdc
	LSTC7W350LRP	12–21Vdc
LSTC7W500LRP	6.5–13Vdc	

	Item	Value	Remark
Output	Maximum voltage		
	LSTC7W150/180/200LRP	50Vdc	
	LSTC7W250/300LRP	35Vdc	
	LSTC7W350LRP	28Vdc	
	LSTC7W500LRP	18Vdc	
	Nominal current range		
	LSTC7W150LRP	150mA	
	LSTC7W180LRP	180mA	
	LSTC7W200LRP	200mA	
	LSTC7W250LRP	250mA	
	LSTC7W300LRP	300mA	
	LSTC7W350LRP	350mA	
	LSTC7W500LRP	500mA	
Current accuracy	± 6%	Full load @230VAC	
Typical output LF current ripple		Low Frequency< 120Hz Full load @230VAC	
LSTC7W150/180/200LRP	± 10%		
LSTC7W250/300LRP	± 8%		
LSTC7W350/500LRP	± 8%		
SVM	≤ 0.4	Full load @230VAC	
P _{stLM}	≤ 1	Full load @230VAC	
Starting time	< 0.5 S	Full load @230VAC	
Nominal power range			
LSTC7W150LRP	3.8-6.3W		
LSTC7W180LRP	3.8-7.3W		
LSTC7W200LRP	4.2-7.6W		
LSTC7W250LRP	4.0-6.5W		
LSTC7W300LRP	4.2-7.2W		
LSTC7W350LRP	4.2-7.3W		
LSTC7W500LRP	3.3-6.5W		
Maximum power	7W		
Dimming	Dimming control	Trailing edge	
	Dimming technique	Amplitude	
	PWM frequency	NA	
	Dimming range	10%-100%	
	Lowest dimming current	5%-10%	
	Galvanic isolation	NA	
Environment	Ambient temperature range t _a	-20°C - +50°C	
	Maximum case temperature t _c		
	LSTC7W150/180/200/250/ 300/350/500LRP	85°C	
	Max. case temp. in fault condition	110°C	When operating under fault conditions, the temperature of the enclosure at any location should not exceed 110 °C
	Storage temperature range	-40°C - +90°C	
	Relative humidity	10% - 90%	
	Surge transient protection	1 kV	L/N
Environmental rating	Indoor		

	Item	Value	Remark
Environment	IP rating	IP20	
	Mains switching cycles	> 100,000	
	Expected lifetime	LSTC7W150/180/200/250/ 300/350/500LRP	
	Full Load	> 30,000 h, tc 85 °C @ ta 50 °C	0.2% / 1,000 h failure rate
	Output load \leq 5W	> 27,000 h, tc 85 °C @ ta 60 °C	0.2% / 1,000 h failure rate
	Packing	Gross weight/box	4.3 kg
Net weight/box		3.5 kg	
Pcs/box		100 PCS	
Dimension/box		240(L)*190(W)*185(H)mm	
Protections			
	Short-circuit Protection	Auto recovery	
	Open-circuit Protection	Auto recovery	
	Overload Protection	Auto recovery	
Conformity & Standards			
	Safety standard:	EN 61347-1, EN 61347-2-13, EN 62493	
	Performance:	EN 62384	
	EMC standard:	EN 55015, EN 61000-3-2, EN 61000-3-3, EN 61547	
Cable information			
PRI	Connection	L	N
	Color	Brown	Blue
	Wire type	7022	7022
	Wire diameter	AWG20	AWG20
	Wire length	154mm	154mm
	Stripping	6mm	6mm
	Tolerance	\pm 5mm	\pm 5mm
	Sec	Connection	+
Color		Red	Black
Wire type		1332	1332
Wire diameter		AWG22	AWG22
Wire length		154mm	154mm
Strip length		6mm	6mm
Tolerance		\pm 5mm	\pm 5mm

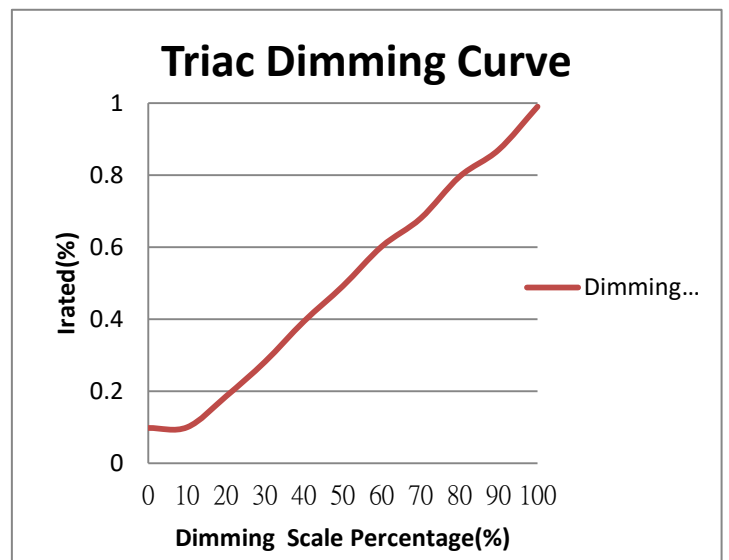
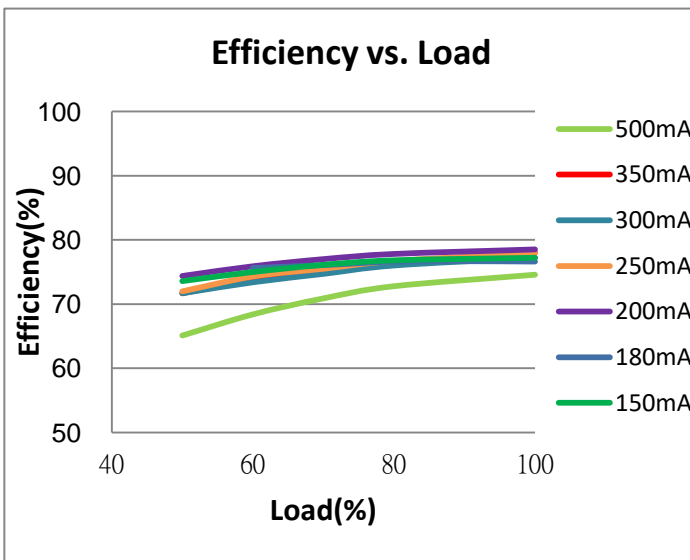
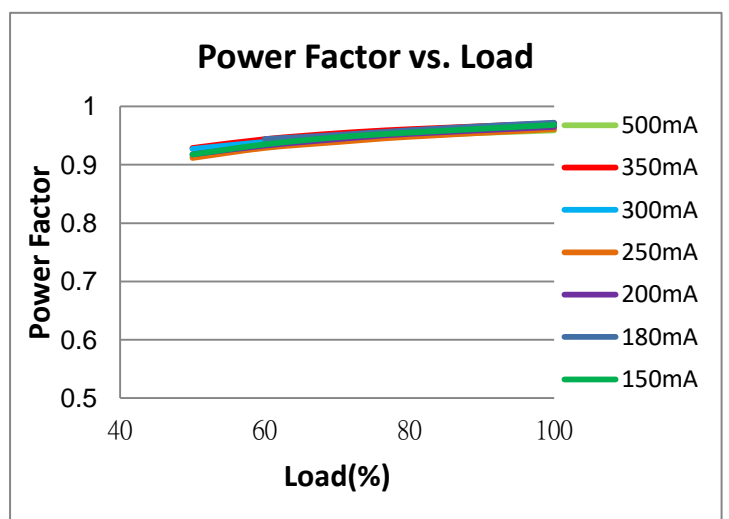
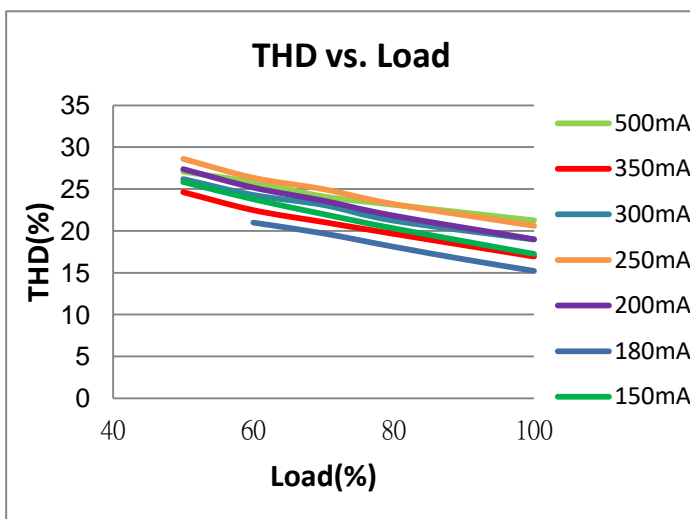
Subject to change without notice, HEP guarantees all products perform functionally well

* If not mentioned, all the test conditions are based on full load at 230VAC input (for 220-240 VAC input).

Trailing Edge Dimmer list approved by HEP

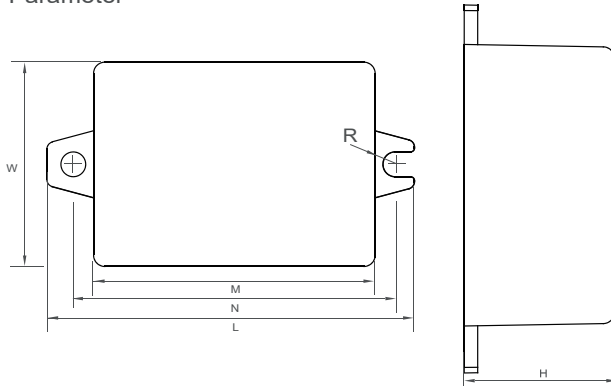
Manufacturer	Model	Q'ty of parallelconnection
Philips	SED-200A	13
Merten/Schneider	SBD315RC	18
Etman	ETM329	20
Merten	SBD200LED	20
Busch	6513 U-102	20
Busch	6523 UR-103	20
Busch	6523 U-102	14
Niko	310-0190X	18
JUNG	LB-Management	20
CASAMBI	CBU-TED	8

Electrical Values



Physical

Parameter



L : 49 mm H : 20 mm

M : 37.5 mm N : 42.9 mm

W : 27.2 mm R : 1.65 mm

Tolerance : +/-1 mm , R : +/-0.5 mm

Housing Material Polycarbonate/ Potting

Soldering Lead-Free, Comply With RoHS

Label Surface Print

Wiring Diagram

