



Approval Marks



Item	Value	Remark
Nominal voltage	100–277V	
Nominal frequency	50–60Hz	
AC voltage range	90–305V	
DC voltage range (start)	NA	
DC voltage range (operation)	NA	
Nominal current		Full load @100/230VAC
LSC9W300LRP UNI	120mA / 55mA	
LSC9W350LRP UNI	120mA / 50mA	
LSC9W480LRP UNI	140mA / 62mA	
LSC9W500LRP UNI	140mA / 65mA	
LSC9W700LRP UNI	130mA / 60mA	
Total Harmonic Distortion (THD)	< 15%	Full load @100/230VAC
Power factor		Full load @230VAC
LSC9W300LRP UNI	0.75C-0.99	
LSC9W350LRP UNI	0.7C-0.99	
LSC9W480LRP UNI	0.71C-0.99	
LSC9W500LRP UNI	0.76C-0.99	
LSC9W700LRP UNI	0.7C-0.99	
Displacement factor		Full load @230VAC
LSC9W300LRP UNI	0.75C-0.99	
LSC9W350LRP UNI	0.7C-0.99	
LSC9W480LRP UNI	0.71C-0.99	
LSC9W500LRP UNI	0.76C-0.99	
LSC9W700LRP UNI	0.7C-0.99	
Efficiency		Full load @230VAC
LSC9W700LRP UNI	78% (Typ.)	
LSC9W480/500LRP UNI	80% (Typ.)	
LSC9W300/350LRP UNI	80% (Typ.)	
No-load power	NA	
Stand-by power	NA	
Protection class	NA	
Inrush current	5A / 25us	

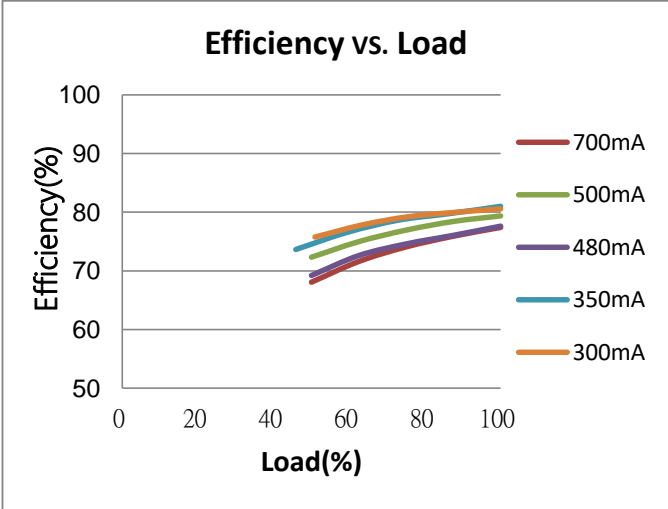
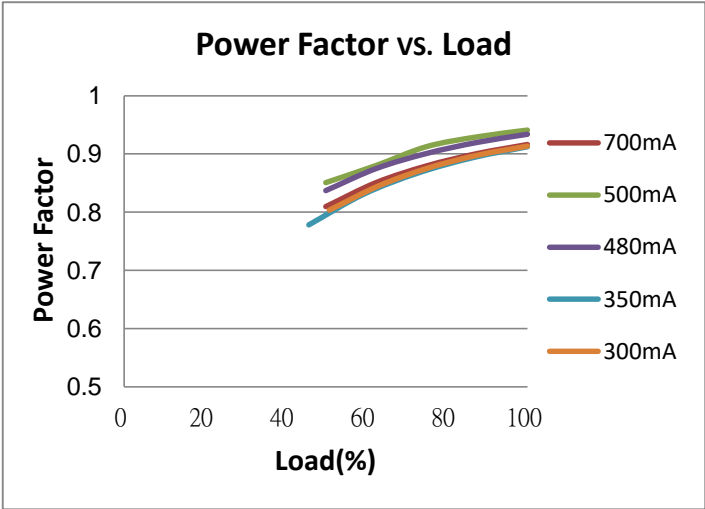
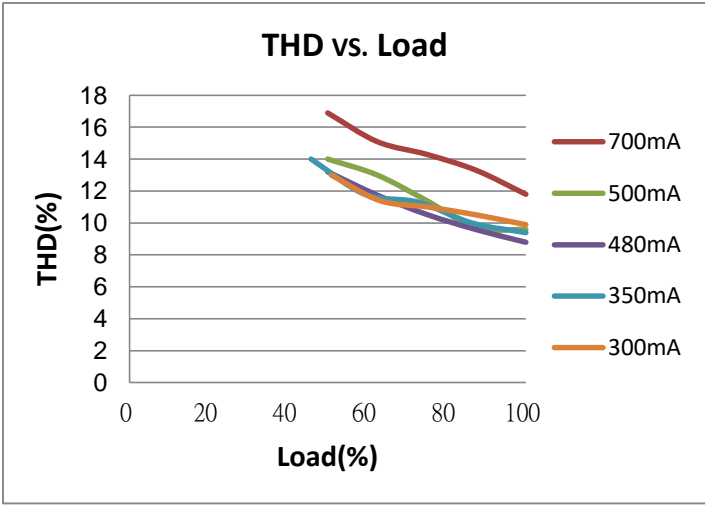
Input

	Item	Value	Remark
Input	Max.units per circuit breaker	Type B , 10A MCB	29
		Type B , 16A MCB	46
		Type C , 10A MCB	36
		Type C , 16A MCB	57
	Earth leakage current	NA	
Output	Nominal voltage range		
	LSC9W300LRP UNI	14-27.5Vdc	
	LSC9W350LRP UNI	11-24Vdc	
	LSC9W480LRP UNI	8-21Vdc	
	LSC9W500LRP UNI	10-20Vdc	
	LSC9W700LRP UNI	6-13Vdc	
	Maximum voltage		
	LSC9W300LRP UNI	40Vdc	
	LSC9W350LRP UNI	35Vdc	
	LSC9W480LRP UNI	28Vdc	
	LSC9W500LRP UNI	28Vdc	
	LSC9W700LRP UNI	18Vdc	
	Nominal current range		
	LSC9W300LRP UNI	300mA	
	LSC9W350LRP UNI	350mA	
	LSC9W480LRP UNI	480mA	
	LSC9W500LRP UNI	500mA	
	LSC9W700LRP UNI	700mA	
	Current accuracy	± 5%	Full load @100-277VAC
	Typical output LF current ripple	± 5%	Low Frequency< 120Hz Full load @230VAC
	Starting time	< 0.5 S	Full load @230VAC
		< 1.2S	Full load @100VAC
	SVM	≤ 0.4	Full load @230VAC
	PstLM	≤ 1	Full load @230VAC
	Nominal power range		
	LSC9W300LRP UNI	4.2-8.2W	
	LSC9W350LRP UNI	3.9-8.4W	
LSC9W480LRP UNI	3.9-10W		
LSC9W500LRP UNI	5.0-10W		
LSC9W700LRP UNI	4.2-9.1W		
Maximum power	10W		
Ambient temperature range t _a	-20°C - +50°C		
Maximum case temperature t _c			
LSC9W300/350LRP UNI	80°C		
LSC9W480/500/700LRP UNI	85°C		
Environment	Max. case temp. in fault condition	110°C	When operating under fault conditions, the temperature of the enclosure at any location should not exceed 110 °C
	Storage temperature range	-40°C - +85°C	
	Relative humidity	10% - 95%	
	Surge transient protection	1 kV	L/N
	Environmental rating	Indoor	
	IP rating	IP20	
	Mains switching cycles	> 100,000	

	Item	Value	Remark
	Expected lifetime		
Environment	LSC9W300/350LRP UNI		
	Full load	> 50,000 h, tc 80 °C @ ta 50 °C	0.2 % / 1,000 h failure rate
	Output load \leq 7W	> 50,000 h, tc80 °C @ ta 60 °C	0.2 % / 1,000 h failure rate
	LSC9W480/500/700LRP UNI		
	Full load	> 50,000 h, tc 85 °C @ ta 50 °C	0.2 % / 1,000 h failure rate
	Output load \leq 7W	> 50,000 h, tc 85 °C @ ta 60 °C	0.2 % / 1,000 h failure rate
Packing	Gross weight/box	12.4 kg	
	Net weight/box	11.4 kg	
	Pcs/box	180 PCS	
	Dimension/box	385(L)*310(W)*265(H)mm	
Protections			
	Short-circuit Protection	Auto recovery	
	Open-circuit Protection	Auto recovery	
	Overload Protection	Auto recovery	
Conformity & Standards			
	Safety standard:	EN 61347-1, EN 61347-2-13, EN 62493	
	Performance:	EN 62384	
	SAA standard:	AS/NZS 61347.1, AS/NZS IEC 61347.2.13	
	EMC standard:	EN 55015, EN 61000-3-2, EN 61000-3-3, EN 61547	
Cable information			
PRI	Connection	L	N
	Color	Brown	Blue
	Wire type	7022	7022
	Wire diameter	AWG18	AWG18
	Wire length	236mm	243mm
	Stripping	6mm	6mm
	tolerance	\pm 5mm	\pm 5mm
Sec	Connection	+	-
	Color	Red	Black
	Wire type	1332	1332
	Wire diameter	AWG22	AWG22
	Wire length	180mm	180mm
	Strip length	10mm	10mm
	tolerance	\pm 5mm	\pm 5mm

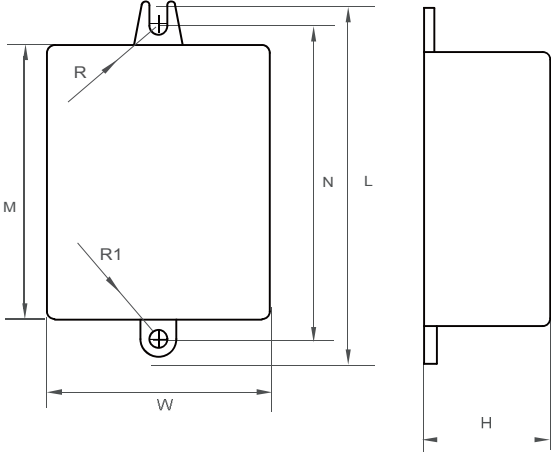
Subject to change without notice, HEP guarantees all products perform functionally well

* If not mentioned, all the test conditions are based on full load at 100/230VAC input (for 100-277 VAC input).



Physical

Parameter



L : 60 mm W: 40 mm R1: Φ 3.4 mm
M : 42 mm H : 24 mm
N : 48.6 mm R : 1.6 mm

Tolerance : +/-1 mm
Housing Material : Polycarbonate / Full Potting

Wiring Diagram

