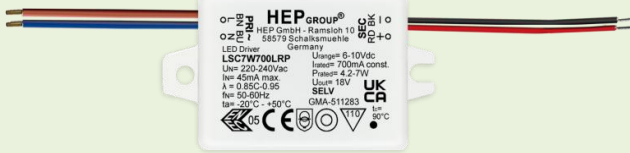


### Approval Marks



Item	Value	Remark
Nominal voltage	220–240V	
Nominal frequency	50–60Hz	
AC voltage range	198–264V	
DC voltage range (start)	NA	
DC voltage range (operation)	NA	
Nominal current	45mA	Full load @230VAC
Total Harmonic Distortion (THD)	< 25%	Full load @230VAC
Power factor		Full load @230VAC
LSC7W150LRP LSC7W250LRP	0.9C–0.95	
LSC7W200LRP LSC7W350LRP LSC7W630LRP LSC7W700LRP	0.85C–0.95	
LSC7W300LRP LSC7W500LRP	0.8–0.9C	
<b>Input</b> Displacement factor		Full load @230VAC
LSC7W150LRP LSC7W250LRP	0.9C–0.95	
LSC7W200LRP LSC7W350LRP LSC7W630LRP LSC7W700LRP	0.85C–0.95	
LSC7W300LRP LSC7W500LRP	0.8–0.9C	
Efficiency		Full load @230VAC
LSC7W150LRP	79% (Typ.)	
LSC7W200LRP	79% (Typ.)	
LSC7W250LRP	75% (Typ.)	
LSC7W300LRP	77% (Typ.)	
LSC7W350LRP	77% (Typ.)	
LSC7W500LRP	74% (Typ.)	
LSC7W630LRP	73% (Typ.)	
LSC7W700LRP	72% (Typ.)	

Item	Value	Remark	
No-load power	NA		
Stand-by power	NA		
Protection class	NA		
<b>Input</b>	Inrush current	15 A / 30 us	
		Type B , 10A MCB	67
	Max.units per circuit breaker	Type B , 16A MCB	107
		Type C , 10A MCB	83
		Type C , 16A MCB	133
Earth leakage current	NA		
<b>Nominal voltage range</b>			
LSC7W150LRP	25–42Vdc		
LSC7W200LRP	20–36Vdc		
LSC7W250LRP	16–24Vdc		
LSC7W300LRP	12–21Vdc		
LSC7W350LRP	12–21Vdc		
LSC7W500LRP	6.5–13Vdc		
LSC7W630LRP	6–11.5Vdc		
LSC7W700LRP	6–10Vdc		
<b>Maximum voltage</b>			
LSC7W150LRP	50Vdc		
LSC7W200LRP	45Vdc		
LSC7W250LRP	30Vdc		
LSC7W300LRP	27Vdc		
LSC7W350LRP	27Vdc		
LSC7W500LRP	18Vdc		
LSC7W630LRP	18Vdc		
LSC7W700LRP	18Vdc		
<b>Output</b>	<b>Nominal current range</b>		
	LSC7W150LRP	150mA	
	LSC7W200LRP	200mA	
	LSC7W250LRP	250mA	
	LSC7W300LRP	300mA	
	LSC7W350LRP	350mA	
	LSC7W500LRP	500mA	
	LSC7W630LRP	630mA	
	LSC7W700LRP	700mA	
	Current accuracy		Full load @230VAC
	LSC7W200/150LRP	± 7%	
LSC7W300/250LRP	± 6%		
LSC7W350/500/630/700LRP	± 5%		
Typical output LF current ripple		Low Frequency< 120Hz Full load @230VAC	
LSC7W150LRP	± 5%		
LSC7W200LRP	± 9%		
LSC7W250/300LRP	± 4%		
LSC7W350/500/630/700LRP	± 3%		

	Item	Value	Remark
	SVM	≤ 0.4	Full load @230VAC
	P <sub>stLM</sub>	≤ 1	Full load @230VAC
	Starting time	< 0.5 S	Full load @230VAC
Output	Nominal power range		
	LSC7W150LRP	3.8-6.3W	
	LSC7W200LRP	4.0-7.2W	
	LSC7W250LRP	4.0-6.0W	
	LSC7W300LRP	3.6-6.3W	
	LSC7W350LRP	4.2-7.3W	
	LSC7W500LRP	3.3-6.5W	
	LSC7W630LRP	3.8-7.2W	
	LSC7W700LRP	4.2-7.0W	
	Maximum power	7W	
Dimming	Dimming control		
		NA	
	Dimming technique		
		NA	
	PWM frequency		
		NA	
Dimming range			
	NA		
Lowest dimming current			
	NA		
Galvanic isolation			
	NA		
Ambient temperature range t <sub>a</sub>			
	-20°C - +50°C		
Maximum case temperature t <sub>c</sub>			
	LSC7W150/200/250/300LRP LSC7W350/500/630LRP	85°C	
	LSC7W700LRP	90°C	
	Max. case temp. in fault condition	110°C	When operating under fault conditions, the temperature of the enclosure at any location should not exceed 110 °C
Storage temperature range			
	-40°C - +90°C		
Environment	Relative humidity		
		10% - 90%	
	Surge transient protection		
		1 kV	L/N
	Environmental rating		
		Indoor	
IP rating			
	IP20		
Mains switching cycles			
	> 100,000		
Expected lifetime			
	LSC7W150/200/250/300LRP LSC7W350/500/630LRP		
	Full Load	> 50,000 h, t <sub>c</sub> 85 °C @ t <sub>a</sub> 50 °C	0.2% / 1,000 h failure rate
	Output load ≤ 5W	> 47,000 h, t <sub>c</sub> 85 °C @ t <sub>a</sub> 60 °C	0.2% / 1,000 h failure rate
	LSC7W700LRP		
	Full Load	> 50,000 h, t <sub>c</sub> 90 °C @ t <sub>a</sub> 50 °C	0.2% / 1,000 h failure rate
	Output load ≤ 5W	> 47,000 h, t <sub>c</sub> 90 °C @ t <sub>a</sub> 60 °C	0.2% / 1,000 h failure rate
Packing	Gross weight/box		
		4.3 kg	
	Net weight/box		
		3.5 kg	
Pcs/box			
	100 PCS		
Dimension/box			
	240(L)*190(W)*185(H)mm		
<b>Protections</b>			
Short-circuit Protection		Auto recovery	
Open-circuit Protection		Auto recovery	
Overload Protection		Auto recovery	

## Conformity & Standards

Safety standard:	EN 61347-1, EN 61347-2-13, EN 62493
Performance:	EN 62384
EMC standard:	EN 55015, EN 61000-3-2, EN 61000-3-3, EN 61547

## Cable information

PRI Connection	L	N
Color	Brown	Blue
Wire type	7022	7022
Wire diameter	AWG18	AWG18
Wire length	144mm	145mm
Stripping	6mm	6mm
Tolerance	±5mm	±5mm

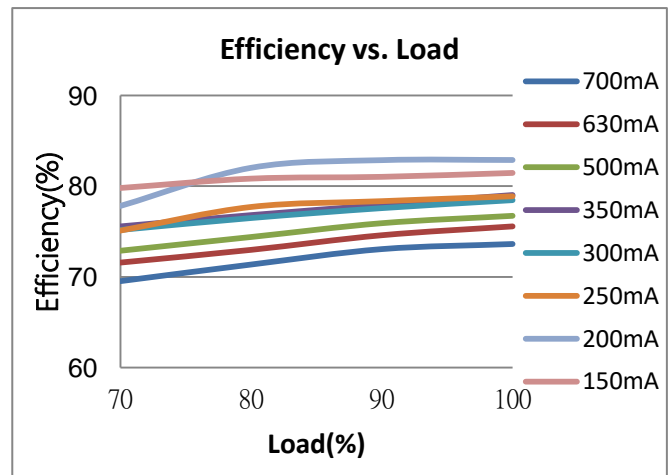
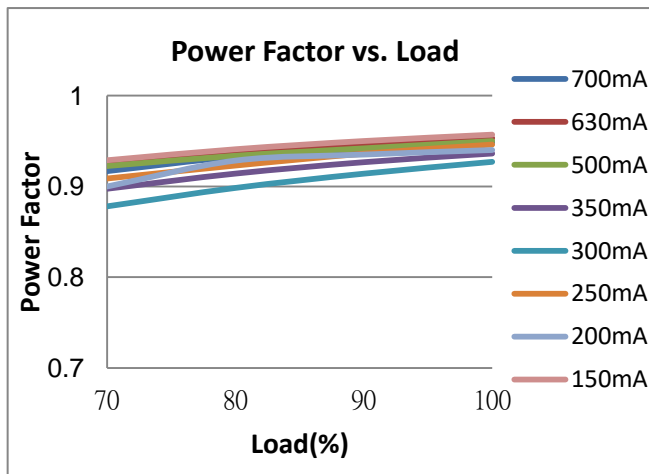
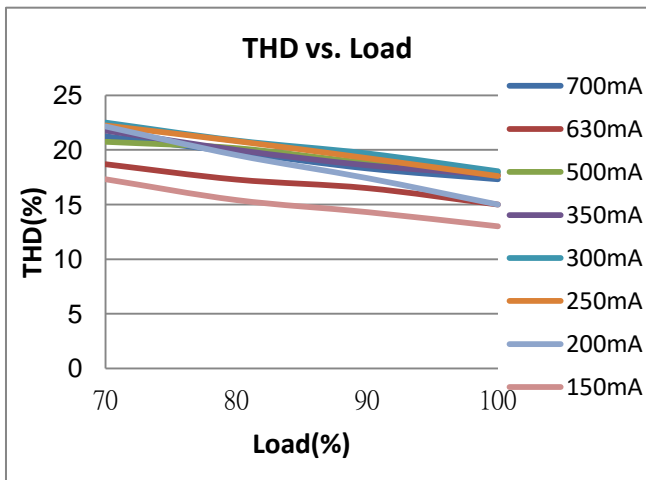
  

Sec Connection	+	-
Color	Red	Black
Wire type	1332	1332
Wire diameter	AWG22	AWG22
Wire length	145mm	145mm
Strip length	6mm	6mm
Tolerance	±5mm	±5mm

\*Subject to change without notice, HEP guarantees all products perform functionally well\*

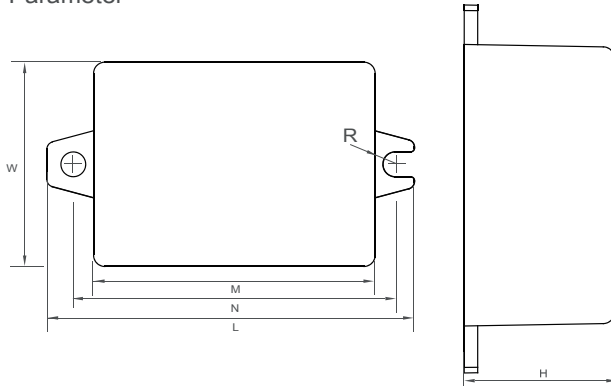
\* If not mentioned, all the test conditions are based on full load at 230VAC input (for 220-240 VAC input).

## Electrical Values



## Physical

### Parameter



L : 49 mm    H : 20 mm

M : 37.5 mm    N : 42.9 mm

W : 27.2 mm    R : 1.65 mm

Tolerance : +/-1 mm , R : +/-0.5 mm

Housing Material    Polycarbonate/ Potting

Soldering            Lead-Free, Comply With RoHS

Label                 Surface Print

## Wiring Diagram

