

Item	Value	Remark
Nominal voltage	100 - 240 V	
Nominal frequency	50 - 60 Hz	
AC voltage range	90 - 264 V	
DC voltage range (start)	NA	
DC voltage range (operation)	NA	
Nominal current	85 / 50 mA	Full load @100/230VAC
Total Harmonic Distortion (THD)	NA	
Power factor		Full load @100/230VAC
LSC4W200LRP UNI	0.45 - 0.64 C	
LSC4W350LRP UNI	0.37 - 0.65 C	
LSC4W500LRP UNI	0.4 - 0.61 C	
LSC4W700LRP UNI	0.45 - 0.65 C	
Displacement factor		Full load @120/230VAC
LSC4W200LRP UNI	0.45 - 0.64 C	
LSC4W350LRP UNI	0.37 - 0.65 C	
LSC4W500LRP UNI	0.4 - 0.61 C	
LSC4W700LRP UNI	0.45 - 0.65 C	
Efficiency		Full load @100/230VAC
LSC4W200LRP UNI	73 % (Typ.)	
LSC4W350LRP UNI	70 % (Typ.)	
LSC4W500LRP UNI	67 % (Typ.)	
LSC4W700LRP UNI	68 % (Typ.)	
No-load power	NA	
Stand-by power	NA	
Protection class	NA	
Inrush current	15 A / 300 us	
Max.units per circuit breaker	Type B , 10A MCB	40
	Type B , 16A MCB	64
	Type C , 10A MCB	59
	Type C , 16A MCB	94
Earth leakage current	NA	
Output	Nominal voltage range	
	LSC4W200LRP UNI	13 - 17.5 Vdc
	LSC4W350LRP UNI	2.7 - 9.5 Vdc

	Item	Value	Remark
	LSC4W500LRP UNI	2.7 - 6.5 Vdc	
	LSC4W700LRP UNI	2.7 - 4.5 Vdc	
	Maximum voltage		
	LSC4W200LRP UNI	28 Vdc	
	LSC4W350LRP UNI	18 Vdc	
	LSC4W500LRP UNI	15 Vdc	
	LSC4W700LRP UNI	15 Vdc	
	Nominal current range		
	LSC4W200LRP UNI	200 mA	
	LSC4W350LRP UNI	350 mA	
	LSC4W500LRP UNI	500 mA	
	LSC4W700LRP UNI	700 mA	
	Current accuracy		Full load @100/230VAC
Output	LSC4W200LRP UNI	± 7 %	
	LSC4W350LRP UNI	± 7 %	
	LSC4W500LRP UNI	± 5 %	
	LSC4W700LRP UNI	± 5 %	
	Typical output LF current ripple	± 5 %	Low Frequency< 120Hz Full load @100/230VAC
	Starting time	< 0.5 S	Full load @100VAC
		< 0.5 S	Full load @230VAC
	SVM	≤ 0.4	Full load @230VAC
	P _{stLM}	≤ 1	Full load @230VAC
	Nominal power range		
	LSC4W200LRP UNI	2.6 - 3.5 W	
	LSC4W350LRP UNI	1.0 - 3.3 W	
	LSC4W500LRP UNI	1.4 - 3.2 W	
	LSC4W700LRP UNI	1.9 - 3.1 W	
	Maximum power	4 W	
Dimming	Dimming control	NA	
	Dimming technique	NA	
	PWM frequency	NA	
	Dimming range	NA	
	Lowest dimming current	NA	
	Galvanic isolation	NA	
	Ambient temperature range t _a	- 20 °C - + 50 °C	
	Maximum case temperature t _c		
	LSC4W200LRP UNI	75 °C	
	LSC4W350LRP UNI	80 °C	
	LSC4W500LRP UNI	80 °C	
	LSC4W700LRP UNI	90 °C	
Environment	Max. case temp. in fault condition	110 °C	When operating under fault conditions, the temperature of the enclosure at any location should not exceed 110 °C
	Storage temperature range	- 40 °C - + 90 °C	
	Relative humidity	10 % - 90 %	
	Surge transient protection	1 kV	L/N
	Environmental rating	Indoor	
	IP rating	IP20	
	Mains switching cycles	> 100,000	

	Item	Value	Remark
Environment	Expected lifetime		
	LSC4W200LRP	> 50,000 h , tc 75 °C @ ta 50 °C	0.2 % / 1,000 h failure rate
		> 100,000 h , tc 65 °C @ ta 40 °C	0.1 % / 1,000 h failure rate
	LSC4W350LRP	> 50,000 h , tc 80 °C @ ta 50 °C	0.2 % / 1,000 h failure rate
		> 100,000 h , tc 70 °C @ ta 40 °C	0.1 % / 1,000 h failure rate
	LSC4W500LRP	> 50,000 h , tc 80 °C @ ta 50 °C	0.2 % / 1,000 h failure rate
		> 100,000 h , tc 70 °C @ ta 40 °C	0.1 % / 1,000 h failure rate
	LSC4W/700LRP	> 50,000 h , tc 90 °C @ ta 50 °C	0.2 % / 1,000 h failure rate
> 100,000 h , tc 80 °C @ ta 40 °C		0.1 % / 1,000 h failure rate	
Packing	Gross weight/Carton	3.3 kg	
	Net weight/Carton	3.0 kg	
	Pcs/Carton	100 PCS	
	Dimension/Carton	240 (L) * 190 (W) * 185 (H) mm	

Protections

Short-circuit Protection	Auto recovery
Open-circuit Protection	Auto recovery
Overload Protection	Auto recovery

Conformity & Standards

Safety standard:	EN 61347-1, EN 61347-2-13, EN 62493
Performance:	EN 62384
SAA standard:	AS/NZS 61347.1, AS/NZS IEC 61347.2.13
EMC standard:	EN 55015, EN 61000-3-2, EN 61000-3-3, EN 61547

Cable information

PRI Connection	L	N
Color	Brown	Blue
Wire type	7022	7022
Wire diameter	AWG 18	AWG 18
Wire length	145 mm	144 mm
Stripping	6 mm	6 mm
Tolerance	± 5 mm	± 5 mm

Sec Connection	+	-
Color	Red	Black
Wire type	1332	1332
Wire diameter	AWG 22	AWG 22
Wire length	145 mm	145 mm
Strip length	10 mm	10 mm
Tolerance	± 5 mm	± 5 mm

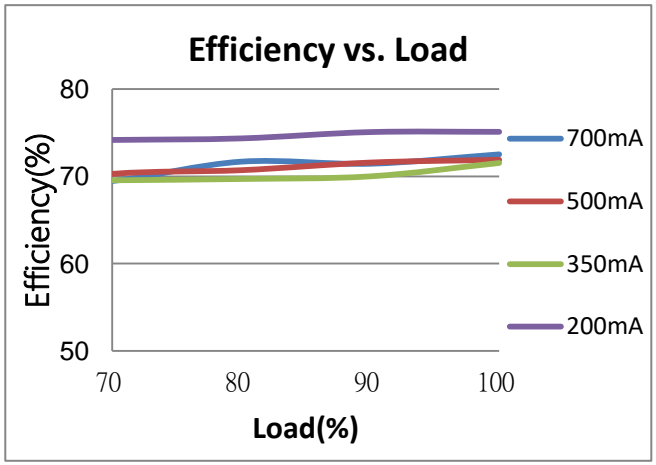
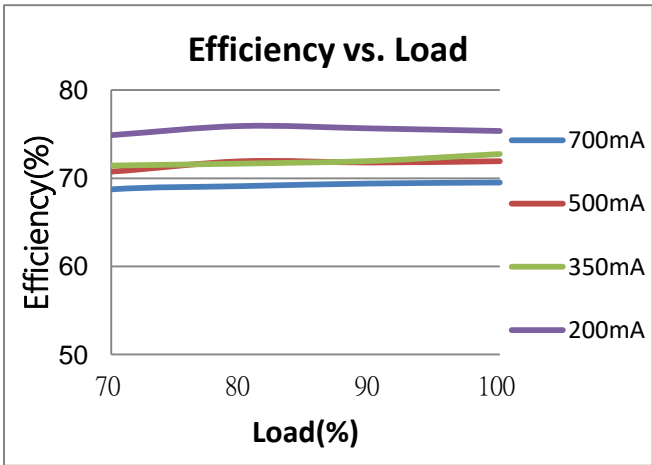
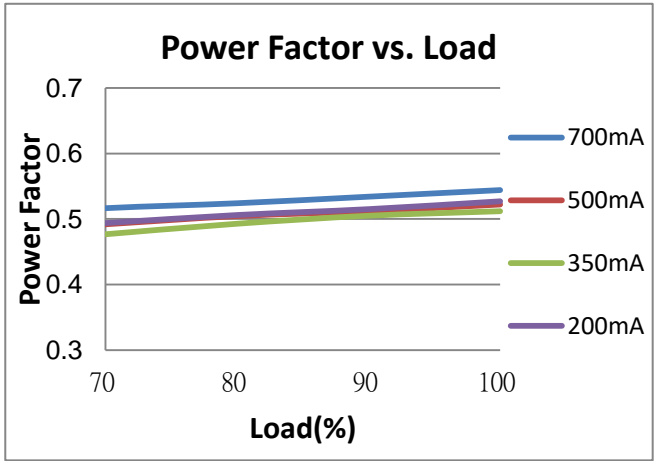
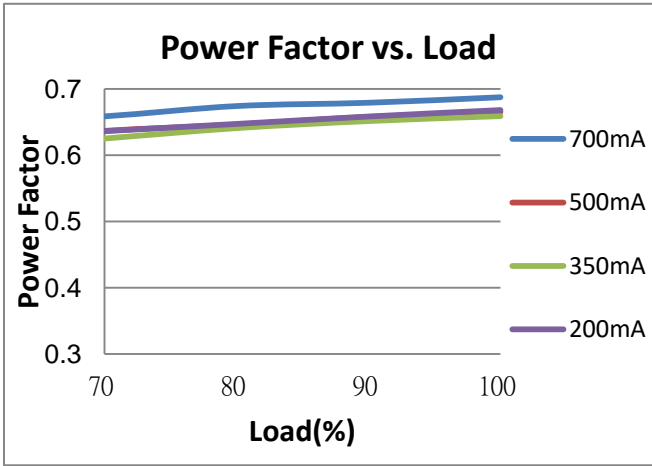
Subject to change without notice, HEP guarantees all products perform functionally well

* If not mentioned, all the test conditions are based on full load at 100/230VAC input (for 100-240 VAC input).

Electrical Values

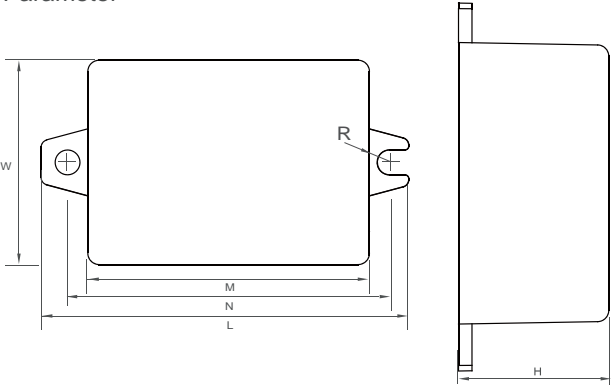
100V

230V



Physical

Parameter



L : 49 mm H : 20 mm

M : 37.5 mm N : 42.9 mm

W : 27.2 mm R : 1.65 mm

Tolerance : +/-1 mm , R : +/-0.5 mm

Housing Material Polycarbonate/ Potting
Soldering Lead-Free, Comply With RoHS
Label Surface Print

Wiring Diagram

