



Approval Marks



Item	Value	Remark
Nominal voltage	100 - 277 V	
Nominal frequency	50 - 60 Hz	
AC voltage range	100 - 305 V	
DC voltage range (start)	NA	
DC voltage range (operation)	NA	
Nominal current		Full load @100/230VAC
LSC20W250LRP UNI	200 / 95 mA	
LSC20W350LRP UNI	260 / 120 mA	
LSC20W500LRP UNI	300 / 140 mA	
LSC20W700LRP UNI	280 / 130 mA	
Total Harmonic Distortion (THD)	< 20%	Full load @100/230VAC
Power factor		Full load @100/230VAC
LSC20W250LRP UNI	0.75 C - 0.99	
LSC20W350LRP UNI	0.79 C - 0.99	
LSC20W500LRP UNI	0.73 C - 0.99	
LSC20W700LRP UNI	0.74 C - 0.99	
Displacement factor		Full load @120/230VAC
LSC20W250LRP UNI	0.75 C - 0.99	
LSC20W350LRP UNI	0.79 C - 0.99	
LSC20W500LRP UNI	0.73 C - 0.99	
LSC20W700LRP UNI	0.74 C - 0.99	
Efficiency	83 % (Typ.)	Full load @230VAC
No-load power	NA	
Stand-by power	NA	
Protection class	NA	
Inrush current	17 A / 35 us	
Max.units per circuit breaker	Type B , 10A MCB	13
	Type B , 16A MCB	21
	Type C , 10A MCB	17
	Type C , 16A MCB	27
Earth leakage current	NA	
Nominal voltage range	LSC20W250LRP UNI	32 - 55 Vdc
	LSC20W350LRP UNI	32 - 55 Vdc

	Item	Value	Remark
	LSC20W500LRP UNI	24 - 45 Vdc	
	LSC20W700LRP UNI	15 - 28 Vdc	
	Maximum voltage		
	LSC20W250LRP UNI	65 Vdc	
	LSC20W350LRP UNI	65 Vdc	
	LSC20W500LRP UNI	55 Vdc	
	LSC20W700LRP UNI	40 Vdc	
	Nominal current range		
	LSC20W250LRP UNI	250 mA	
	LSC20W350LRP UNI	350 mA	
	LSC20W500LRP UNI	500 mA	
	LSC20W700LRP UNI	700 mA	
Output	Current accuracy		Full load @100/230VAC
	LSC20W250/350LRP UNI	± 7 %	
	LSC20W500/700LRP UNI	± 5 %	
	Typical output LF current ripple	± 5 %	Low Frequency < 120Hz Full load @100/230VAC
	Starting time	< 0.5 S	Full load @230VAC
		< 1.3 S	Full load @100VAC
	SVM	≤ 0.4	Full load @230VAC
	P _{stLM}	≤ 1	Full load @230VAC
	Nominal power range		
	LSC20W250LRP UNI	8.0 - 13.7 W	
LSC20W350LRP UNI	11.2 - 19.2 W		
LSC20W500LRP UNI	12.0 - 22.5 W		
LSC20W700LRP UNI	10.5 - 19.6 W		
Maximum power	22.5 W		
Dimming	Dimming control	NA	
	Dimming technique	NA	
	PWM frequency	NA	
	Dimming range	NA	
	Lowest dimming current	NA	
	Galvanic isolation	NA	
	Ambient temperature range t _a	- 20 °C - + 50 °C	
Maximum case temperature t _c			
LSC20W250LRP UNI	80 °C		
LSC20W350LRP UNI	85 °C		
LSC20W500LRP UNI	85 °C		
LSC20W700LRP UNI	85 °C		
Environment	Max. case temp. in fault condition	110 °C	When operating under fault conditions, the temperature of the enclosure at any location should not exceed 110 °C
	Storage temperature range	- 40 °C - + 85 °C	
	Relative humidity	10 % - 90 %	
	Surge transient protection	1 kV	L/N
	Environmental rating	Indoor	
	IP rating	IP20	
	Mains switching cycles	> 100,000	

	Item	Value	Remark
	Expected lifetime		
Environment	LSC20W250LRP UNI		
	Full load	> 50,000 h , tc 80 °C @ ta 50 °C	0.2 % / 1,000 h failure rate
	Output load \leq 9.6W	> 44,000 h , tc 80 °C @ ta 60 °C	0.23 % / 1,000 h failure rate
	LSC20W350/500/700LRP UNI		
	Full load	> 50,000 h , tc 85 °C @ ta 50 °C	0.2 % / 1,000 h failure rate
	Output load \leq 15.8W	> 44,000 h , tc 85 °C @ ta 60 °C	0.23 % / 1,000 h failure rate
Packing	Gross weight/Carton	12 kg	
	Net weight/Carton	10.8 kg	
	Pcs/Carton	108 PCS	
	Dimension/Carton	490 (L) * 270 (W) * 225 (H) mm	

Protections

Short-circuit Protection	Auto recovery
Open-circuit Protection	Auto recovery
Overload Protection	Auto recovery

Conformity & Standards

Safety standard:	EN 61347-1, EN 61347-2-13, EN 62493
Performance:	EN 62384
SAA standard:	AS/NZS 61347.1, AS/NZS IEC 61347.2.13
EMC standard:	EN 55015, EN 61000-3-2, EN 61000-3-3, EN 61547

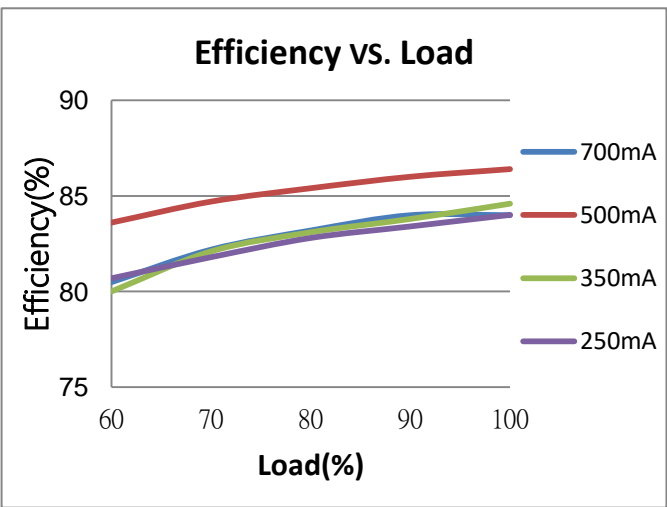
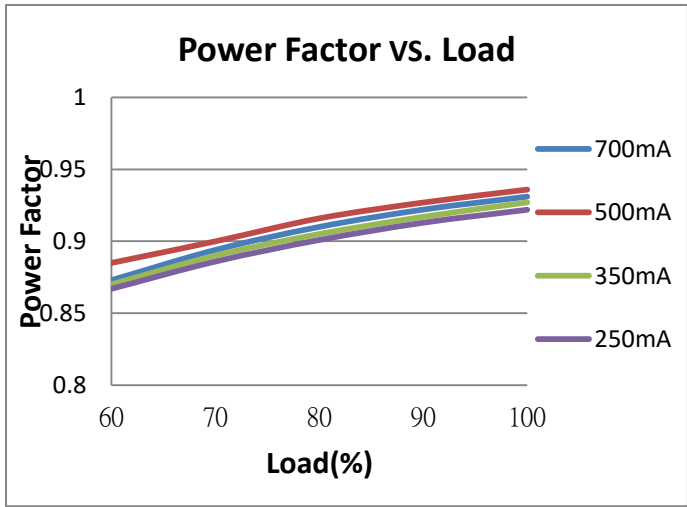
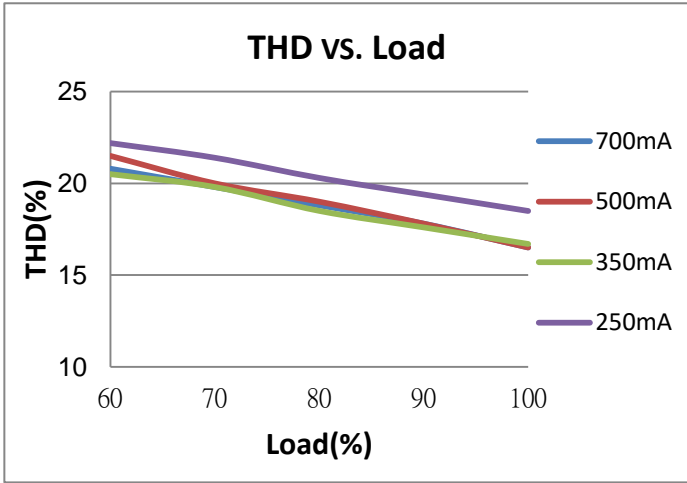
Cable information

	L	N
PRI Connection		
Color	Brown	Blue
Wire type	7022	7022
Wire diameter	AWG 18	AWG 18
Wire length	233 mm	241 mm
Stripping	6 mm	6 mm
Tolerance	\pm 5 mm	\pm 5 mm
Sec Connection	+	-
Color	Red	Black
Wire type	1332	1332
Wire diameter	AWG 22	AWG 22
Wire length	181 mm	181 mm
Strip length	10 mm	10 mm
Tolerance	\pm 5 mm	\pm 5 mm

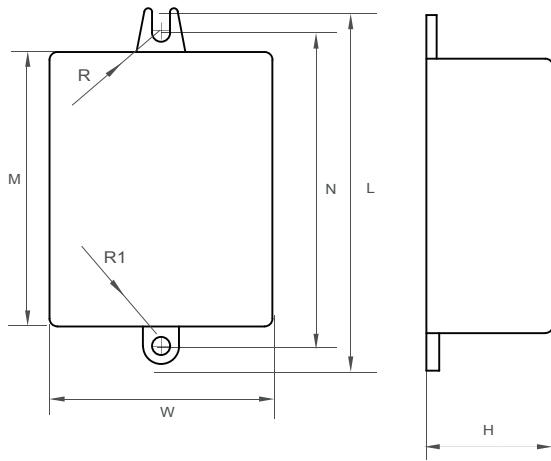
Subject to change without notice, HEP guarantees all products perform functionally well

* If not mentioned, all the test conditions are based on full load at 100/230VAC input (for 100-277 VAC input).

Electrical Values



Physical Parameter



L : 69.3 mm W: 43.5 mm R1: Φ 3.5 mm
M : 53.5 mm H : 24.6 mm
N : 61 mm R : 1.75 mm

Tolerance : \geq +/-1 mm

Housing Material : Polycarbonate / Full Potting

Wiring Diagram

