

Approval



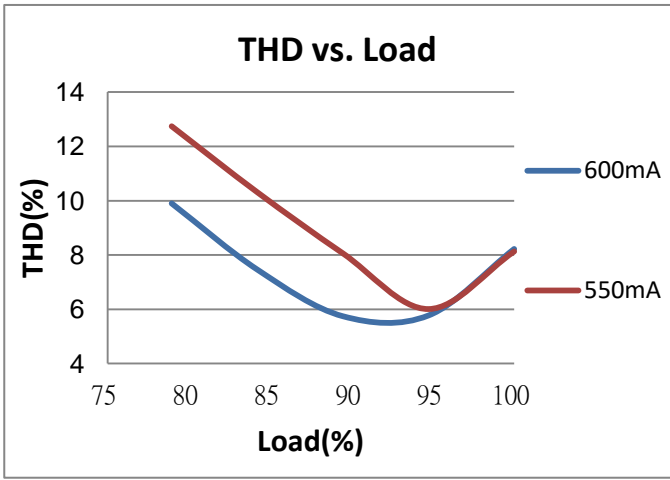
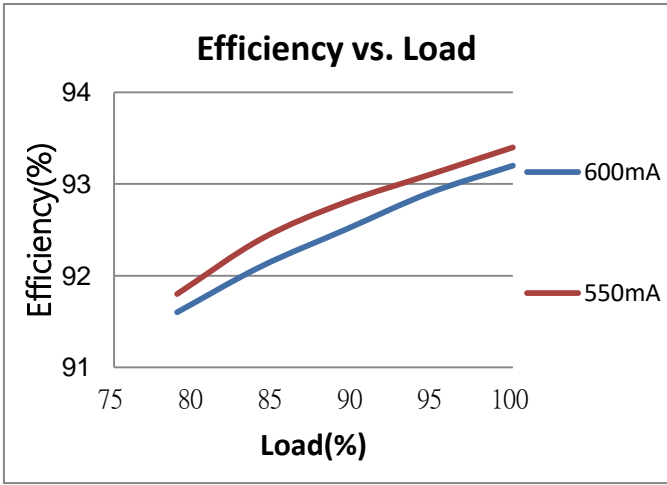
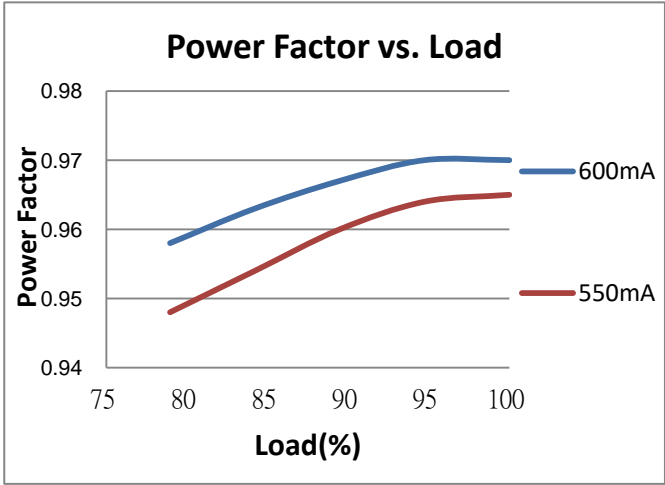
Item	Value	Remark
Nominal voltage	220–240V	
Nominal frequency	50–60Hz	
AC voltage range	198–264V	
DC voltage range (start)	NA	
DC voltage range (operation)	NA	
Nominal current	150mA	
Total Harmonic Distortion (THD)	< 15	Full load @230VAC
Power factor	0.9C-0.95	Min-load @ 240Vac and Full-load @ 220 Vac
Displacement factor	0.9C-0.95	Min-load @ 240Vac and Full-load @ 220 Vac
Efficiency	93% (Typ.)	Full load @230VAC
No-load power	NA	
Stand-by power	NA	
Protection class	II	
Inrush current	12A / 150us	
Max.units per circuit breaker	Type B , 10A MCB	27
	Type B , 16A MCB	43
	Type C , 10A MCB	33
	Type C , 16A MCB	53
Earth leakage current	NA	
Nominal voltage range	30-38Vdc	
Maximum voltage	50Vdc	
Nominal current range		
600mA	600mA	
550mA	550mA	
Current accuracy	± 7.5%	Full load @230VAC
Typical output LF current ripple	± 3%	Low Frequency< 120Hz Full load @230VAC
Starting time	< 0.5 S	Full load @230VAC
SVM	≤0.4	Full load @230VAC
PstLM	≤1	Full load @230VAC
Nominal power range		
600mA	18.0-22.8W	
550mA	16.5-20.9W	
Maximum power	22.8W	

	Item	Value	Remark
Dimming	Dimming control	NA	
	Dimming technique	NA	
	PWM frequency	NA	
	Dimming range	NA	
	Lowest dimming current	NA	
	Galvanic isolation	NA	
Environment	Ambient temperature range t_a	-20°C - +60°C	
	Maximum case temperature t_c	80°C	
	Max. case temp. in fault condition	110 °C	When operating under fault conditions, the temperature of the enclosure at any location should not exceed 110 °C
	Storage temperature range	-20°C - +80°C	
	Relative humidity	10% - 85%	
	Surge transient protection	1 kV	L/N
	Environmental rating	Indoor	
	IP rating	IP20	
	Mains switching cycles	> 100,000	
	Expected lifetime	> 50,000 h, t_c 80 °C @ t_a 60 °C	
Packing	Net weight/pc	g	
	Pcs/box	PCS	
	Dimension/box	(L)*(W)*(H)mm	
Protections			
	Short- circuit protection	Auto recovery	
	Open- circuit protection	Auto recovery	
	Overload protection	Auto recovery	
Conformity & Standards			
	Safety standard:	EN 61347-1, EN 61347-2-13	
	Performance:	EN 62384	
	EMC standard:	EN 55015, EN 61000-3-2, EN 61000-3-3, EN 61547	
Cable information			
PRI			
	Cable cross-section	0.75-1.5□/AWG 18-16	
	Stripping	8.5-9.5mm	
SEC			
	Cable cross-section	0.5-1.5□/AWG 20-16	
	Stripping	8.5-9.5mm	

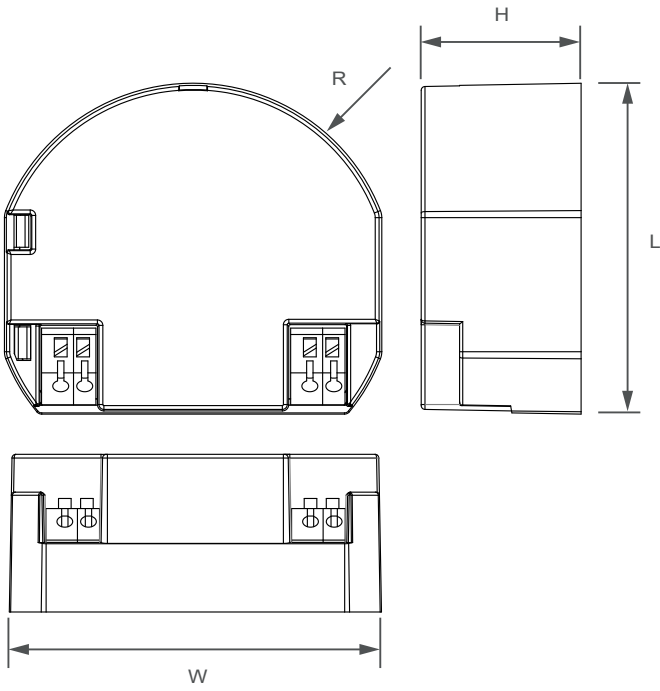
Subject to change without notice, HEP guarantees all products perform functionally well

* If not mentioned, all the test conditions are based on full load at 230VAC input (for 220-240 VAC input).

Electrical Values



Physical Parameter



L : 51.7 mm W : 59.0 mm H : 25.0 mm

R : 31.5 mm

Tolerance : +/-1 mm , R : +/-0.5 mm

Housing Material : Polycarbonate

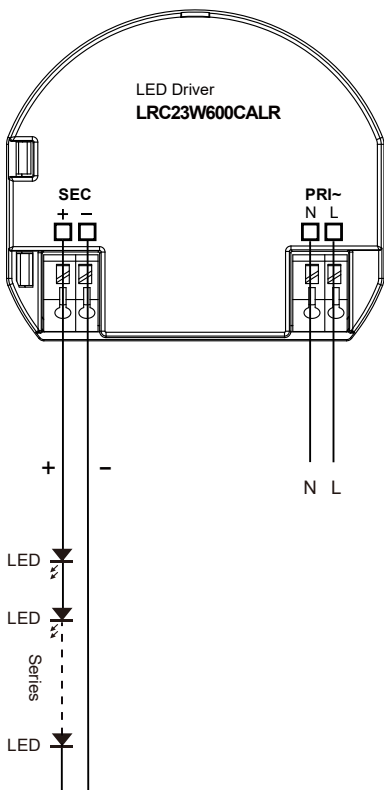
Soldering : Lead-Free, Comply With RoHS

Label : Surface Print

Current Selection By Jumpers

Current	Jumpers setting
550mA	
600mA	

Wiring Diagram



Tc Location

