

Item	Value	Remark		
Nominal voltage	220–240V			
Nominal frequency	50–60Hz			
AC voltage range	198–264V			
DC voltage range (start)	NA			
DC voltage range (operation)	NA			
Nominal current				
LNTC40W500LRP	170mA			
LNTC40W600LRP	205mA			
LNTC40W800/1000LRP	215mA			
LNTC40W850LRP	225mA			
LNTC40W700/900/1050LRP	240mA			
Input	Total Harmonic Distortion (THD)	< 25%	Full load @230VAC	
	Power factor	0.93C-0.97	Full load @230VAC	
	Displacement factor	0.93C-0.97	Full load @230VAC	
	Efficiency	85% (Typ.)	Full load @230VAC	
	No-load power	NA		
	Stand-by power	NA		
	Protection class	NA		
	Inrush current	12 A / 45 μs		
	Max.units per circuit breaker	Type B , 10A MCB	17	
		Type B , 16A MCB	27	
Type C , 10A MCB		21		
Type C , 16A MCB		33		
Earth leakage current	NA			
Output	Nominal voltage range			
	LNTC40W500/600/700LRP	35-57Vdc		
	LNTC40W800/850/900LRP	26-44Vdc		
	LNTC40W950/1000/1050LRP	22-38Vdc		
	Maximum voltage			
	LNTC40W500/600/700LRP	63Vdc		
	LNTC40W800/850/900LRP	50Vdc		
LNTC40W950/1000/1050LRP	45Vdc			

	Item	Value	Remark
	Nominal current range		
	LNTC40W500LRP	500mA	
	LNTC40W600LRP	600mA	
	LNTC40W700LRP	700mA	
	LNTC40W800LRP	800mA	
	LNTC40W850LRP	850mA	
	LNTC40W900LRP	900mA	
	LNTC40W950LRP	950mA	
	LNTC40W1000LRP	1000mA	
	LNTC40W1050LRP	1050mA	
	Current accuracy	± 5%	Full load @230VAC
Output	Typical output LF current ripple	± 5%	Low Frequency<120Hz Full load @230VAC
	SVM	≤ 0.4	Full load @230VAC
	PstLM	≤ 1	Full load @230VAC
	Starting time	< 0.5 S	Full load @230VAC
	Nominal power range		
	LNTC40W500LRP	17.5-28.5W	
	LNTC40W600LRP	21.0-34.2W	
	LNTC40W700LRP	24.5-39.9W	
	LNTC40W800LRP	20.8-35.2W	
	LNTC40W850LRP	22.1-37.4W	
	LNTC40W900LRP	23.4-39.6W	
	LNTC40W950LRP	20.9-36.1W	
	LNTC40W1000LRP	22.0-38.0W	
	LNTC40W1050LRP	23.1-39.9W	
	Maximum power	40W	
Dimming	Dimming control	Trailing Edge	
	Dimming technique	Amplitude	
	PWM frequency	NA	
	Dimming range	10-100%	
	Lowest dimming current	NA	
	Galvanic isolation	NA	
	Ambient temperature range t_a	-20°C - +50°C	
	Maximum case temperature t_c		
	LNTC40W500/600/700LRP	80°C	
	LNTC40W800/850/900LRP	85°C	
	LNTC40W950/1000/1050LRP	85°C	
Environment	Max. case temp. in fault condition	110°C	When operating under fault conditions, the temperature of the enclosure at any location should not exceed 110 °C
	Storage temperature range	-25°C - +85°C	
	Relative humidity	10% - 85%	
	Surge transient protection	1 kV	L/N
	Environmental rating	Indoor	
	IP rating	IP20	
	Mains switching cycles	> 100,000	

	Item	Value	Remark
Environment	Expected lifetime		
	LNTC40W500/600/700LRP	Full load	> 50,000 h, tc 80 °C @ ta 50 °C
	LNTC40W800/850/900LRP LNTC40W950/1000/1050LRP	Full load	> 50,000 h, tc 85 °C @ ta 50 °C
Packing	Gross weight/Carton	12.6 kg	
	Net weight/Carton	11.5 kg	
	Pcs/Carton	56 PCS	
	Dimension/Carton	490(L)*270(W)*225(H)mm	
Protections			
	Short-circuit Protection	Auto recovery	
	Open-circuit Protection	Auto recovery	
	Overload Protection	Auto recovery	
Conformity & Standards			
	Safety standard:	EN 61347-1, EN 61347-2-13, EN 62493	
	Performance:	EN 62384	
	EMC standard:	EN 55015, EN 61000-3-2, EN 61000-3-3, EN 61547	
	SAA standard:	AS/NZS 61347.1, AS/NZS IEC 61347.2.13	
Cable information			
PRI	Connection	L	N
	Color	Brown	Blue
	Wire type	7022	7022
	Wire diameter	AWG18	AWG18
	Wire length	135mm	135mm
	Stripping	6mm	6mm
	Tolerance	±5mm	±5mm
Sec	Connection	+	-
	Color	Red	Black
	Wire type	1332	1332
	Wire diameter	AWG22	AWG22
	Wire length	134mm	134mm
	Strip length	6mm	6mm
	Tolerance	±5mm	±5mm

* If not mentioned, all the test conditions are based on full load at 230VAC input (for 220-240 VAC input).

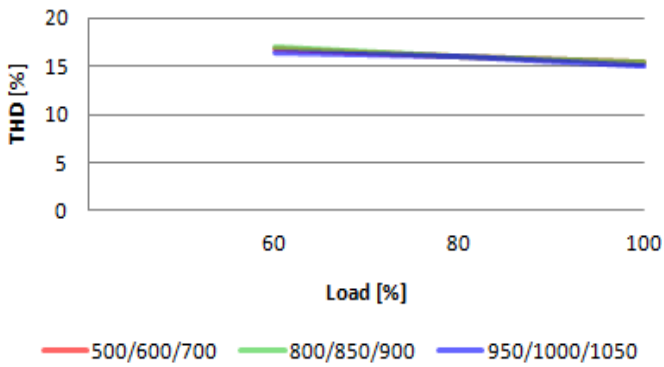
Subject to change without notice, HEP guarantees all products perform functionally well

Trailing Edge Dimmer list approved by HEP

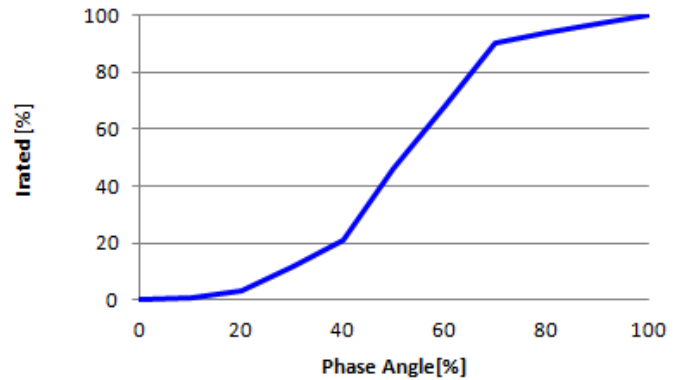
Manufacturer	Model	Q'ty of parallel connection	Min.load(W)
CLIPSAL	32E450TM	10	10W
Schneider	SBD315RC	10	20W
Busch	6513U-102	10	40W
Busch	6519U	10	40W
ETMAN	321P	10	25W
AcTEC	D350	10	10W
Busch	6523 UR-103	7	2W
Busch	6523 U-102	2	2W
Niko	310-0190X	7	5w
JUNG	LB-Management	7	20W
Merten	SBD200LED(MEG5134-0000)	7	4W
Casambi	CBU-TED	2	1W

Electrical Values

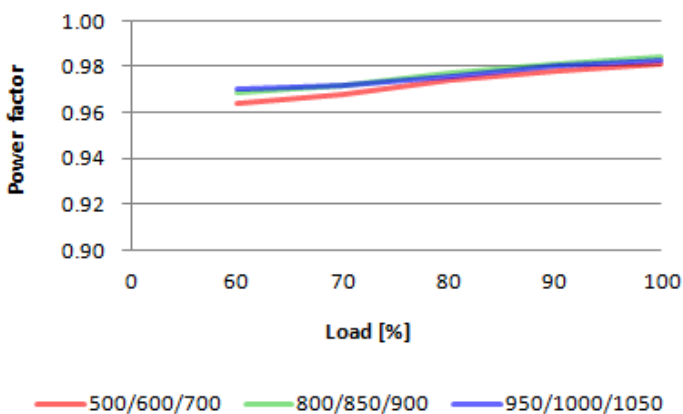
THD vs Load



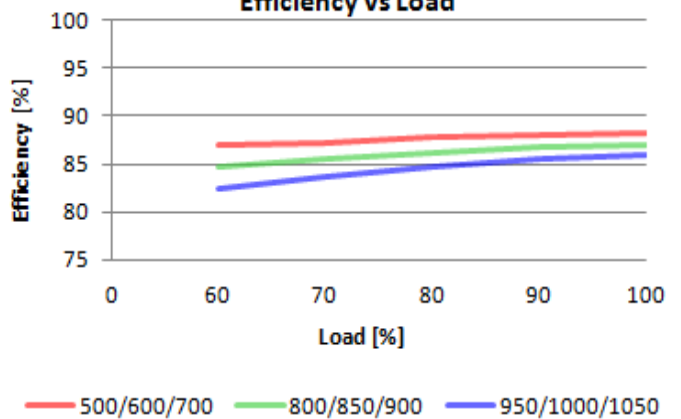
Dimming Curve



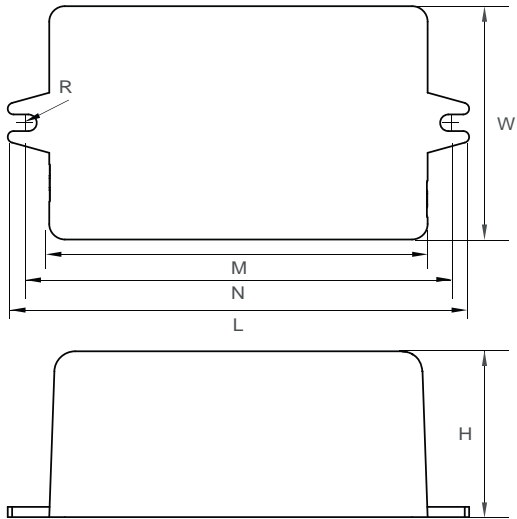
Power factor vs Load



Efficiency vs Load



**Physical
Parameter**



L : 96 mm N : 88.2 mm H : 32 mm
M : 80 mm W : 55 mm R : 1.6 mm

Tolerance : +/-1 mm , R : +/-0.5 mm

Housing Material : Polycarbonate / Potting
Soldering : Lead-Free, Comply With RoHS
Label : Surface Print

Wiring Diagram

