

### Approval Marks



	Item	Value	Remark
Input	Nominal voltage	220–240V	
	Nominal frequency	50–60Hz	
	AC voltage range	198–264V	
	DC voltage range (start)	NA	
	DC voltage range (operation)	NA	
	Nominal current	160mA	
	Total Harmonic Distortion (THD)	< 20%	Full load @230VAC
	Power factor	0.94C-0.97	Full load @230VAC
	Displacement factor	0.94C-0.97	Full load @230VAC
	Efficiency	83%(Typ.)	Full load @230VAC
	No-load power	NA	
	Stand-by power	NA	
	Protection class	NA	
	Inrush current	30 A / 40 μs	
Earth leakage current	NA		
Output	Nominal voltage range	13.5-32Vdc	
	Maximum voltage	38Vdc	
	Nominal current range	900mA	
	Current accuracy	± 6%	Full load @ 230Vac
	Typical output LF current ripple	± 5%	Low Frequency<120Hz Full load @230VAC
	Nominal power range	12.1-28.8W	
	Maximum power	32W	
Dimming	Dimming control	Trailing Edge	
	Dimming technique	Amplitude	
	PWM frequency	NA	
	Dimming range	10-100%	
	Lowest dimming current	NA	
	Galvanic isolation	NA	
Environment	Ambient temperature range t <sub>a</sub>	-20°C - +50°C	
	Maximum case temperature t <sub>c</sub>	80°C	
	Max. case temp. in fault condition	110°C	When operating under fault conditions, the temperature of the enclosure at any location should not exceed 110 °C
	Storage temperature range	-25°C - +85°C	

	Item	Value	Remark
Environment	Relative humidity	10% - 85%	
	Surge transient protection	1 kV	L/N
	Environmental rating	Indoor	
	IP rating	IP20	
	Mains switching cycles	> 100,000	
	Expected lifetime	> 50,000 h, tc 80 °C @ ta 50 °C > 80,000 h, tc 70 °C @ ta 40 °C	0.2 % / 1,000 h failure rate 0.1 % / 1,000 h failure rate
Packing	Gross weight/Carton	11.2 kg	
	Net weight/Carton	10.3 kg	
	Pcs/Carton	64 PCS	
	Dimension/Carton	415(L)*255(W)*240(H)mm	

#### Protections

Short- & open circuit proof, Auto. overheat regulation or cut off, Overload protection

#### Conformity & Standards

Safety standard:	EN 61347-1, EN 61347-2-13, EN 62493
Performance:	EN 62384
EMC standard:	EN 55015, EN 61000-3-2, EN 61000-3-3, EN 61547
SAA standard:	AS/NZS 61347.1, AS/NZS IEC 61347.2.13

#### Cable information

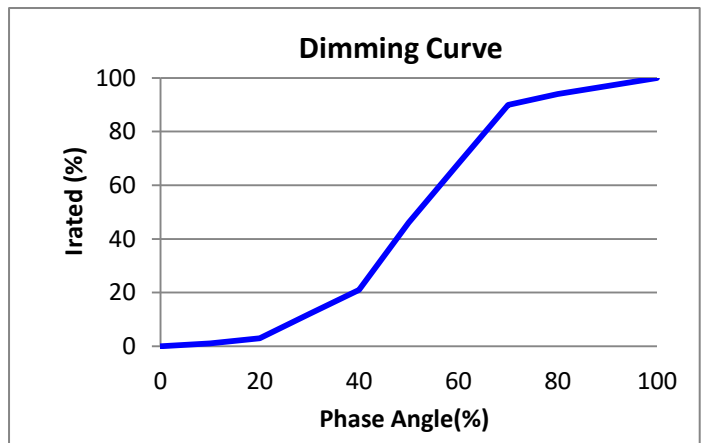
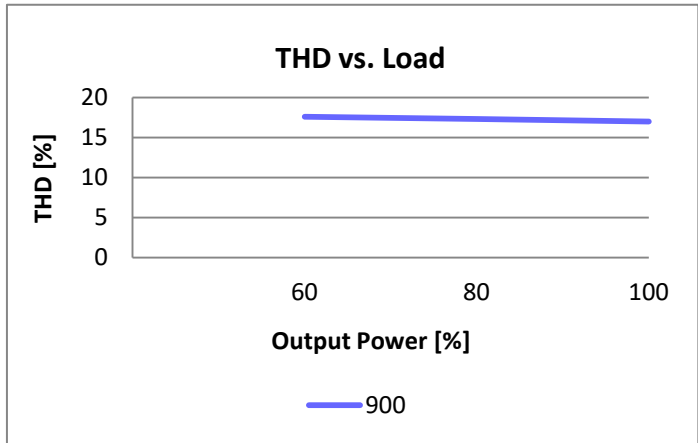
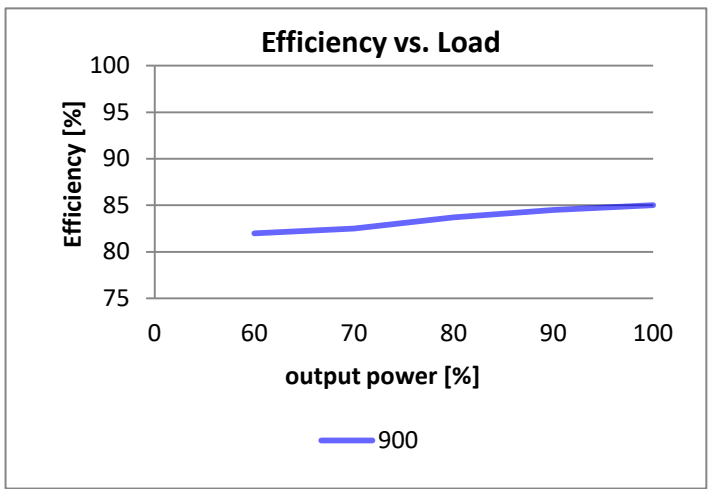
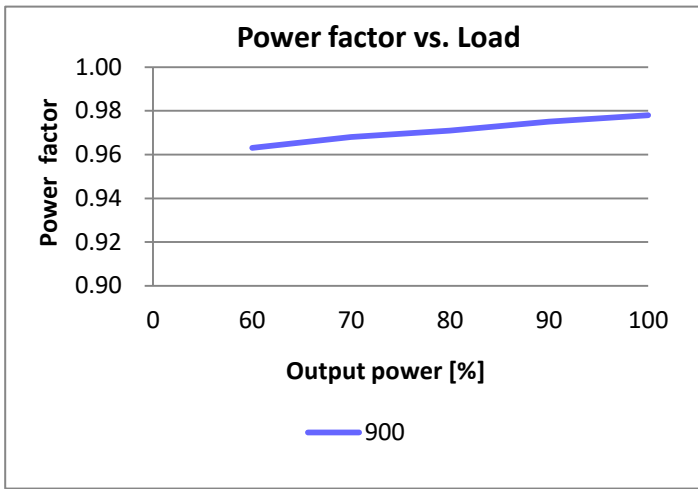
<b>PRI</b> Connection	L	N
Color	Brown	Blue
Wire type	7022	7022
Wire diameter	AWG18	AWG18
Wire length	135mm	135mm
Stripping	6mm	6mm
Tolerance	±5mm	±5mm
<b>Sec</b> Connection	+	-
Color	Red	Black
Wire type	1332	1332
Wire diameter	AWG22	AWG22
Wire length	135mm	135mm
Strip length	6mm	6mm
Tolerance	±5mm	±5mm

\* If not mentioned, all the test conditions are based on full load at 230VAC input (for 220-240 VAC input).

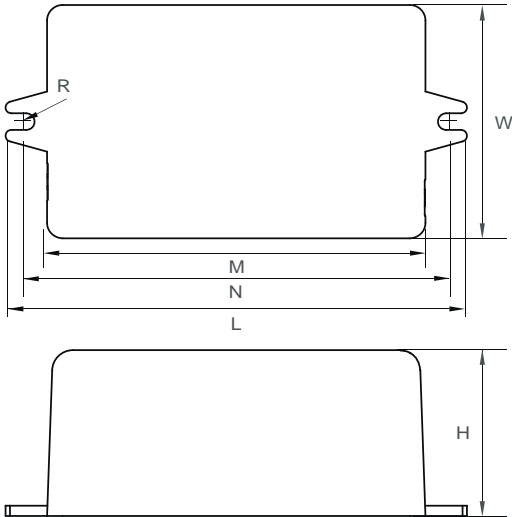
\*Subject to change without notice, HEP guarantees all products perform functionally well\*

#### Trailing Edge Dimmer list approved by HEP

Manufacturer	Model	Q'ty of parallel connection	Min.load(W)
CLIPSAL	32E450TM	10	10W
Schneider	SBD315RC	10	20W
Busch	6513U-102	10	40W
Busch	6519U	10	40W
ETMAN	321P	10	25W
AcTEC	D350	10	10W



**Physical  
Parameter**



L : 89 mm    N : 81 mm    H : 32 mm  
M : 73 mm    W : 45 mm    R : 1.6 mm

Tolerance : +/-1 mm , R : +/-0.5 mm

Housing Material : Polycarbonate / Potting  
Soldering            Lead-Free, Comply With RoHS  
Label                 Surface Print

**Wiring Diagram**

