



Item	Value	Remark
Nominal voltage	220–240V	
Nominal frequency	50–60Hz	
AC voltage range	198–264V	
DC voltage range (start)	NA	
DC voltage range (operation)	NA	
Nominal current		
LNDC6W200LLRP	30mA	
LNDC6W250HLRP	35mA	
LNDC6W300HLRP	40mA	
LNDC6W350LLRP	35mA	
Total Harmonic Distortion (THD)	< 30%	Full load @230VAC
Power factor		Full load @230VAC
Input	LNDC6W200LLRP	0.6-0.8C
	LNDC6W250HLRP	0.65-0.85C
	LNDC6W300HLRP	0.75-0.85C
	LNDC6W350LLRP	0.65-0.7C
	Displacement factor	
LNDC6W200LLRP	0.6-0.8C	
LNDC6W250HLRP	0.65-0.85C	
LNDC6W300HLRP	0.75-0.85C	
LNDC6W350LLRP	0.65-0.7C	
Efficiency	77% (Typ.)	Full load @230VAC
No-load power	NA	
Stand-by power	0.5W	
Protection class	NA	
Inrush current	5 A / 25 μs	
Earth leakage current	NA	
Output	Nominal voltage range	
	LNDC6W200LLRP	12-20 Vdc
	LNDC6W250HLRP	12-20 Vdc
	LNDC6W300HLRP	12-20 Vdc
	LNDC6W350LLRP	8.5-12.5 Vdc

	Item	Value	Remark
Output	Maximum voltage		No load protection
	LNDC6W200LLRP	26Vdc	
	LNDC6W250HLRP	26Vdc	
	LNDC6W300HLRP	26Vdc	
	LNDC6W350LLRP	20Vdc	
	Nominal current range		
	LNDC6W200LLRP	200mA	
	LNDC6W250HLRP	250mA	
	LNDC6W300HLRP	300mA	
	LNDC6W350LLRP	350mA	
	Current accuracy	± 8%	Full load @230VAC
	Typical output LF current ripple	± 6%	Full load @ 230VAC Low Frequency<120Hz
	Starting time	< 0.5 S	Full load @230VAC
	Nominal power range		
	LNDC6W200LLRP	2.4 - 4.0W	
LNDC6W250HLRP	3.0 - 5.0W		
LNDC6W300HLRP	3.6 - 6.0W		
LNDC6W350LLRP	3.0 - 4.4W		
Maximum power	6W		
Dimming	Dimming control	DALI/Touch Dim	
	Dimming technique	Amplitude	
	PWM frequency	NA	
	Dimming range	5-100%	
	Lowest dimming current	1-8%	
Galvanic isolation	Basic insulated to PRI and double insulated to SEC		
Environment	Ambient temperature range t_a	-20°C - +50°C	
	Maximum case temperature t_c	70°C	
	Max. case temp. in fault condition	110°C	When operating under fault conditions, the temperature of the enclosure at any location should not exceed 110 °C
	Storage temperature range	-40°C - +85°C	
	Relative humidity	10% - 95%	
	Surge transient protection	1 kV	L/N
	Environmental rating	Indoor	
	IP rating	IP20	
	Mains switching cycles	> 100,000	
	Expected lifetime	> 50,000 h, t_c 70 °C @ t_a 50 °C > 100000 h, t_c 60 °C @ t_a 40 °C	0.2 % / 1,000 h failure rate @ t_c 70 °C 0.1 % / 1,000 h failure rate @ t_c 60 °C
Packing	Gross weight/Carton	9.1 kg	
	Net weight/Carton	8.2 kg	
	Pcs/Carton	96 PCS	
	Dimension/Carton	395(L)*350(W)*215(H)mm	
Protections			
Short- & open circuit proof, Auto. Overload protection			
Conformity & Standards			
Safety standard:	EN 61347-1, EN 61347-2-13, EN 62493		
Performance:	EN 62384		
EMC standard:	EN 55015, EN 61000-3-2, EN 61000-3-3, EN 61547		
DALI protocol standard:	EN 62386-101, EN 62386-102, EN 62386-207		

Cable information

PRI Connection	L	N
Color	Brown	Blue
Wire type	7022	7022
Wire diameter	AWG18	AWG18
Wire length	138mm	141mm
Stripping	6mm	6mm
Tolerance	±5mm	±5mm

Sec Connection	+	-
Color	Red	Black
Wire type	1332	1332
Wire diameter	AWG22	AWG22
Wire length	140mm	141mm
Strip length	6mm	6mm
Tolerance	±5mm	±5mm

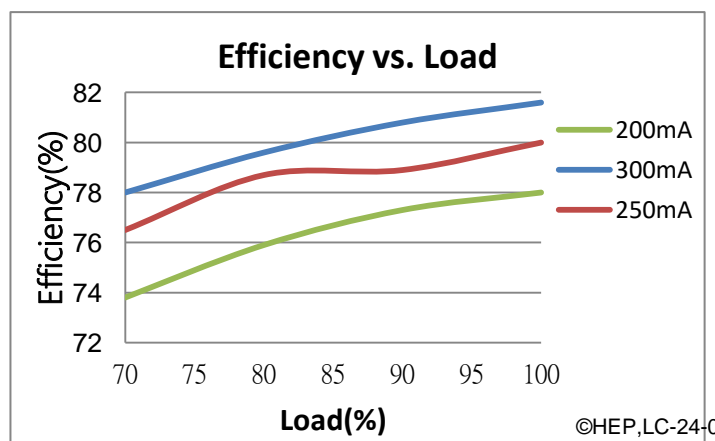
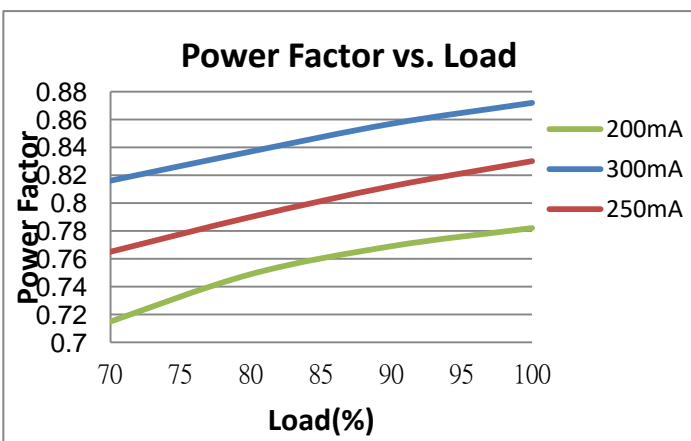
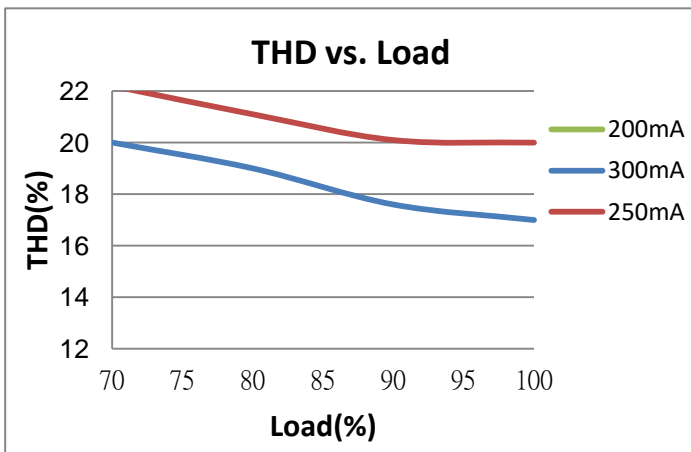
DALI/Touch Dim

Color	Purple	Gray
Wire type	7022	7022
Wire diameter	AWG20	AWG20
Wire length	131mm	134mm
Stripping	10mm	10mm
Tolerance	±5mm	±5mm

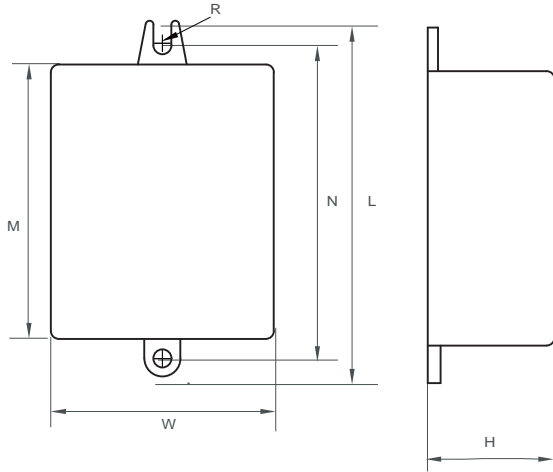
* If not mentioned, all the test conditions are based on full load at 230VAC input (for 220-240 VAC input).

Subject to change without notice, HEP guarantees all products perform functionally well

Electrical Values



Physical Parameter



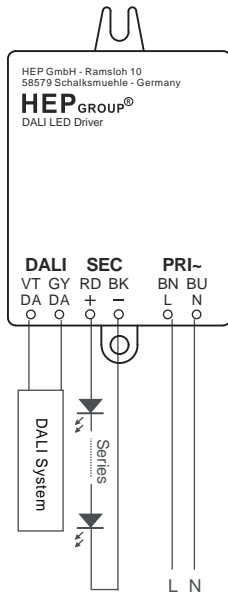
L : 69.3 mm W: 43.5 mm
M : 53.5 mm H : 24.6 mm
N : 61 mm R : 1.75 mm

Tolerance : +/-1 mm , R : +/-0.5 mm

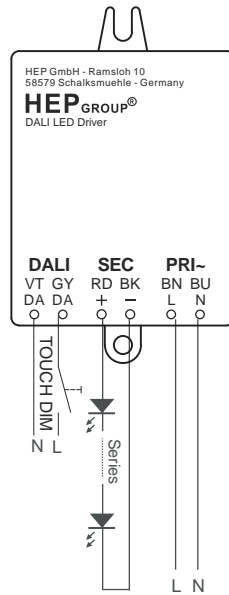
Housing Material : Polycarbonate/Potting
Soldering : Lead-Free, Comply With RoHS
Label : Surface Print

Wiring Diagram

DALI



TOUCH DIM



*** Touch Dim**

Short push (<0.6sec.) Push to turn ON-OFF
Long push (>0.6sec.) Dimming up or down

Synchronization of Touch DIM

If a large number of driver with Touch Dim is operated in a system there is a chance that an driver will operate out of synchronization with the others(= different dimming level setting or different switching state).

Synchronism can be restored as follows:

- 1.Step: Long push all the lamps are switched on
- 2.Step: Short push all the lamps are switched off
- 3.Step: Long push all the lamps are switched on the minimum dimming setting of the drivers and continuously fade up to the desired dimming level, then release push bottom.

Max. lead length : 20 M
Max. parallel units : 15 pcs