

Item	Value	Remark
Nominal voltage	220–240V	
Nominal frequency	50–60Hz	
AC voltage range	198–264V	
DC voltage range (start)	NA	
DC voltage range (operation)	NA	
Nominal current		
LNDC40W500LRP	170mA	
LNDC40W600LRP	205mA	
LNDC40W700LRP	240mA	
LNDC40W800LRP	210mA	
LNDC40W850LRP	225mA	
LNDC40W900LRP	240mA	
LNDC40W950LRP	215mA	
LNDC40W1000LRP	230mA	
LNDC40W1050LRP	240mA	
Input Total Harmonic Distortion (THD)	< 25%	Full load @230VAC
Power factor		Full load @230VAC
LNDC40W500/600LRP	0.87C-0.95	
LNDC40W700LRP	0.92C-0.97	
LNDC40W800/950LRP	0.89C-0.95	
LNDC40W850LRP	0.9C-0.96	
LNDC40W900LRP	0.94C-0.97	
LNDC40W1000LRP	0.91C-0.96	
LNDC40W1050LRP	0.93C-0.96	
Displacement factor		Full load @230VAC
LNDC40W500/600LRP	0.87C-0.95	
LNDC40W700LRP	0.92C-0.97	
LNDC40W800/950LRP	0.89C-0.95	
LNDC40W850LRP	0.9C-0.96	
LNDC40W900LRP	0.94C-0.97	
LNDC40W1000LRP	0.91C-0.96	
LNDC40W1050LRP	0.93C-0.96	
Efficiency	85% (Typ.)	Full load @230VAC

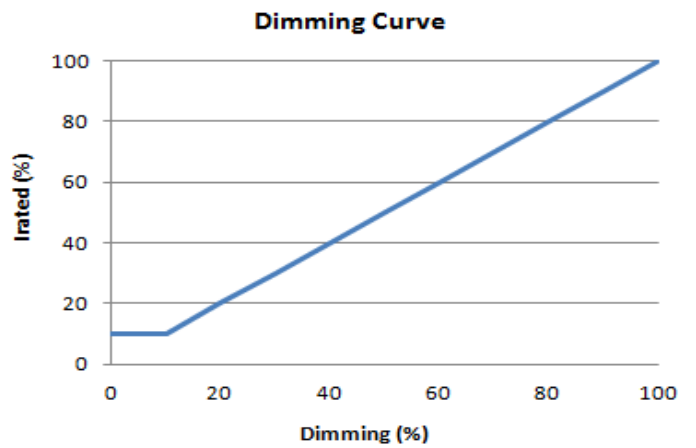
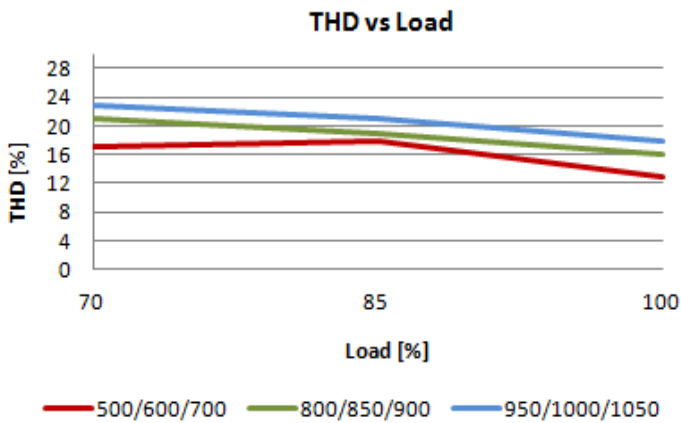
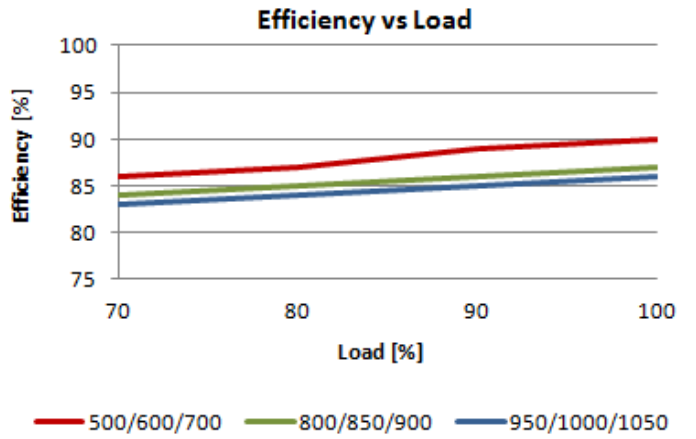
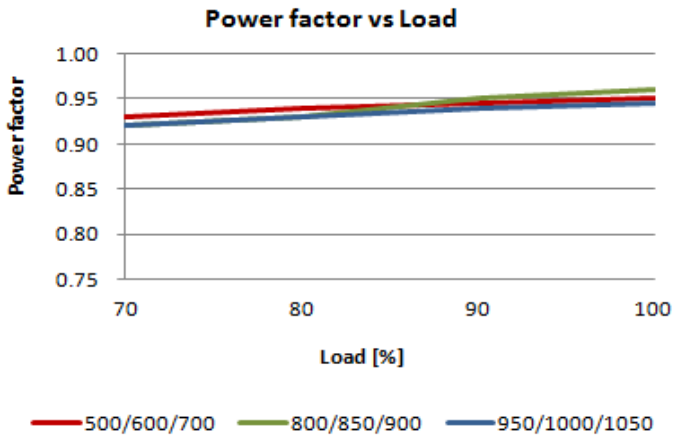
Item	Value	Remark	
No-load power	NA		
Stand-by power	<0.5W		
Protection class	NA		
Input	Inrush current	5.5 A / 35 μ s	
		Type B , 10A MCB	17
	Max.units per circuit breaker	Type B , 16A MCB	27
		Type C , 10A MCB	21
		Type C , 16A MCB	33
Earth leakage current	NA		
Nominal voltage range			
	LNDC40W500/600/700LRP	40-57Vdc	
	LNDC40W800/850/900LRP	30-44Vdc	
	LNDC40W950/1000/1050LRP	27-38Vdc	
Maximum voltage			
	LNDC40W500/600/700LRP	67Vdc	
	LNDC40W800/850/900LRP	55Vdc	
	LNDC40W950/1000/1050LRP	50Vdc	
Nominal current range			
	LNDC40W500LRP	500mA	
	LNDC40W600LRP	600mA	
	LNDC40W700LRP	700mA	
	LNDC40W800LRP	800mA	
	LNDC40W850LRP	850mA	
	LNDC40W900LRP	900mA	
	LNDC40W950LRP	950mA	
	LNDC40W1000LRP	1000mA	
	LNDC40W1050LRP	1050mA	
	Current accuracy	\pm 5%	
	Typical output LF current ripple	\pm 5%	Low Frequency< 120Hz Full load @230VAC
	Starting time	< 0.5 S	Full load @230VAC
Nominal power range			
	LNDC40W500LRP	20.0-28.5W	
	LNDC40W600LRP	24.0-34.2W	
	LNDC40W700LRP	28.0-39.9W	
	LNDC40W800LRP	24.0-35.2W	
	LNDC40W850LRP	25.5-37.4W	
	LNDC40W900LRP	27.0-39.6W	
	LNDC40W950LRP	25.7-36.1W	
	LNDC40W1000LRP	27.0-38.0W	
	LNDC40W1050LRP	28.4-39.9W	
	Maximum power	40W	
Dimming control			
	DALI/Touch Dim		
Dimming	Dimming technique	Amplitude	
	PWM frequency	NA	
	Dimming range	5-100%	
	Lowest dimming current	3-5%	
	Galvanic isolation	Basic insulated to PRI and double insulated to SEC	

	Ambient temperature range t_a	-20°C - +50°C		
	Maximum case temperature t_c	80°C		
	Max. case temp. in fault condition	110°C	When operating under fault conditions, the temperature of the enclosure at any location should not exceed 110 °C	
Environment	Storage temperature range	-40°C - +85°C		
	Relative humidity	10% - 95%		
	Surge transient protection	1 kV	L/N	
	Environmental rating	Indoor		
	IP rating	IP20		
	Mains switching cycles	> 100,000		
	Expected lifetime	> 50,000 h, t_c 80 °C @ t_a 50 °C		0.2 % / 1,000 h failure rate
		> 100000 h, t_c 70 °C @ t_a 40 °C		0.1 % / 1,000 h failure rate
Packing	Gross weight/Carton	12.9 kg		
	Net weight/Carton	11.9 kg		
	Pcs/Carton	56 PCS		
	Dimension/Carton	490(L)*270(W)*225(H)mm		
Protections				
	Short-circuit Protection	Auto recovery		
	Open-circuit Protection	Auto recovery		
	Overload Protection	Auto recovery		
Conformity & Standards				
	Safety standard:	EN 61347-1, EN 61347-2-13, EN 62493		
	Performance:	EN 62384		
	SAA standard:	AS/NZS 61347.1, AS/NZS IEC 61347.2.13		
	CCC standard:	GB17625.1,GB/T17743,GB19510.1,GB19510.14		
	EMC standard:	EN 55015, EN 61000-3-2, EN 61000-3-3, EN 61547		
	DALI protocol standard:	EN 62386-101, EN 62386-102, EN 62386-207		
Cable information				
PRI	Connection	L	N	
	Color	Brown	Blue	
	Wire type	7022	7022	
	Wire diameter	AWG18	AWG18	
	Wire length	128mm	128mm	
	Stripping	6mm	6mm	
	Tolerance	±5mm	±5mm	
	Sec	Connection	+	-
Color		Red	Black	
Wire type		1332	1332	
Wire diameter		AWG20	AWG20	
Wire length		149mm	149mm	
Stripping		10mm	10mm	
Tolerance		±5mm	±5mm	
DALI/Touch Dim		Connection	DA	DA
	Color	Purple	Gray	
	Wire type	7022	7022	
	Wire diameter	AWG20	AWG20	
	Wire length	135mm	135mm	
	Stripping	10mm	10mm	
	Tolerance	±5mm	±5mm	

Subject to change without notice, HEP guarantees all products perform functionally well

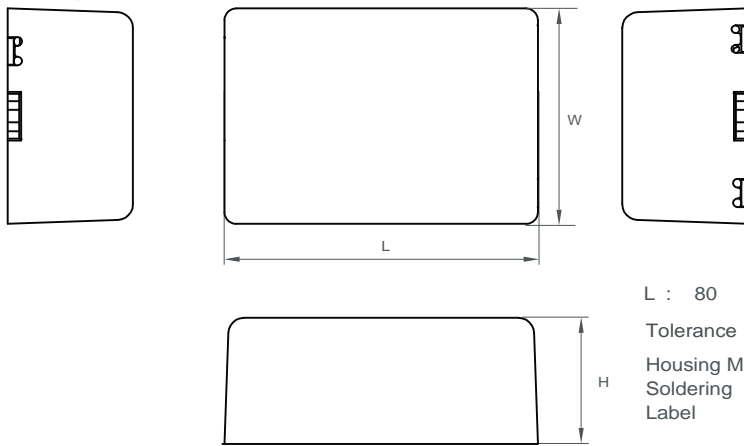
* If not mentioned, all the test conditions are based on full load at 230VAC input (for 220-240 VAC input).

Electrical Values



**Physical
Parameter**

Clear type



L : 80 mm W: 55 mm H : 32 mm

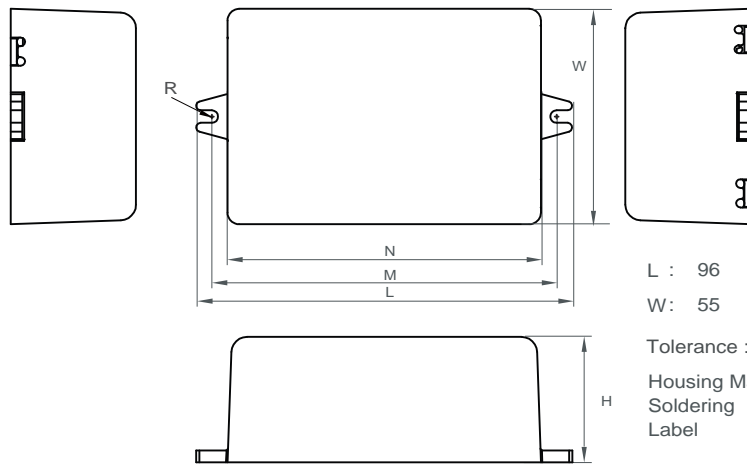
Tolerance : +/-1 mm

Housing Material : Polycarbonate / Potting

Soldering : Lead-Free, Comply With RoHS

Label : Surface Print

Screw clip type



L : 96 mm M : 88.2 mm N : 80 mm

W: 55 mm H : 32 mm R : 1.6 mm

Tolerance : +/-1 mm , R : +/-0.5 mm

Housing Material : Polycarbonate

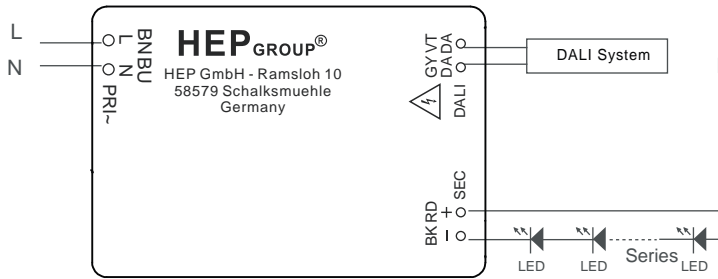
Soldering : Lead-Free, Comply With RoHS

Label : Surface Print

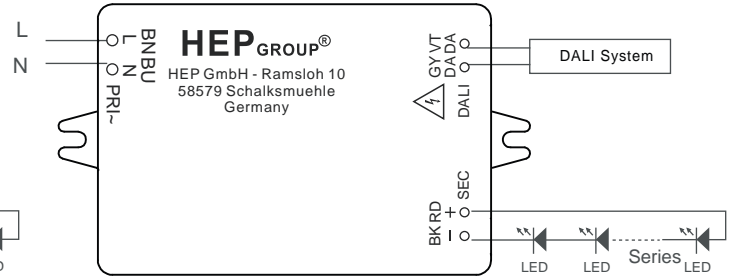
Wiring Diagram

DALI system

Clear type

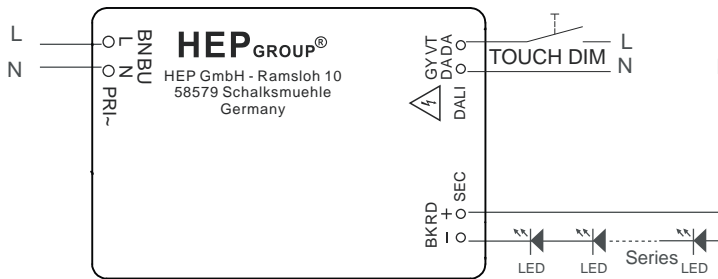


Screw clip type

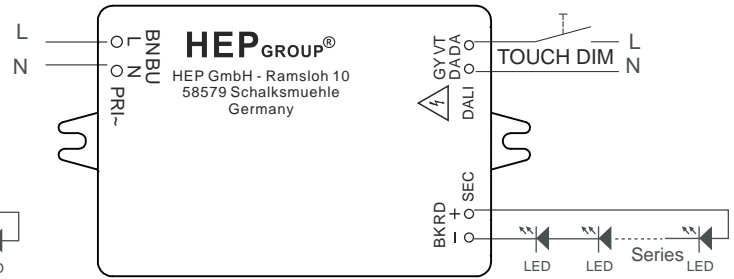


TOUCH DIM

Clear type



Screw clip type



* Touch Dim

Short push (<0.6sec.) Push to turn ON-OFF
 Long push (>0.6sec.) Dimming up or down

Synchronization of Touch DIM

If a large number of driver with Touch Dim is operated in a system there is a chance that an driver will operate out of synchronization with the others(= different dimming level setting or different switching state).

Synchronism can be restored as follows:

- 1.Step: Long push all the lamps are switched on
- 2.Step: Short push all the lamps are switched off
- 3.Step: Long push all the lamps are switched on the minimum dimming setting of the drivers and continuously fade up to the desired dimming level, then release push bottom.

Max. lead length : 20 M
 Max. parallel units : 15 pcs