



Approval Marks



	Item	Value	Remark
	Nominal voltage	220–240V	
	Nominal frequency	50–60Hz	
	AC voltage range	198–264V	
	DC voltage range (start)	NA	
	DC voltage range (operation)	NA	
	Nominal current		
	LNC6W150HLR-1C	40mA	
	LNC6W120/250HLR-1C	35mA	
	Total Harmonic Distortion (THD)	< 20%	Full load @230VAC
	Power factor		Full load @230VAC
Input	LNC6W150HLR-1C	0.9C	
	LNC6W120HLR-1C	0.85C	
	LNC6W250HLR-1C	0.8C	
	Displacement factor		Full load @230VAC
	LNC6W150HLR-1C	0.9C	
	LNC6W120HLR-1C	0.85C	
	LNC6W250HLR-1C	0.8C	
	Efficiency	75% (Typ.)	Full load @230VAC
	No-load power	NA	
	Stand-by power	NA	
	Protection class	NA	
	Inrush current	2 A / 30 μ s	
	Earth leakage current	NA	
	Nominal voltage range		
	LNC6W120/150HLR-1C	30-42 Vdc	
	LNC6W250HLR-1C	12-21 Vdc	
	Maximum voltage		
Output	LNC6W120/150HLR-1C	50Vdc	
	LNC6W250HLR-1C	30Vdc	
	Nominal current range		
	LNC6W120HLR-1C	120mA	
	LNC6W150HLR-1C	150mA	
	LNC6W250HLR-1C	250mA	

	Item	Value	Remark
	Current accuracy		Full load @230VAC
	LNC6W250HLR-1C	± 7%	
	LNC6W120/150HLR-1C	± 10%	
Output	Typical output LF current ripple	± 5%	Low Frequency< 120Hz Full load @230VAC
	Starting time	< 0.5 S	Full load @230VAC
	Nominal power range		
	LNC6W120HLR-1C	3.6-5W	
	LNC6W150HLR-1C	4.5-6.3W	
	LNC6W250HLR-1C	3-5.2W	
	Maximum power	6.3W	
Dimming	Dimming control	0/1-10V	0V:Dimming Port Short
	Dimming technique	NA	
	PWM frequency	NA	
	Dimming range	10-100%	1-10V
	Lowest dimming current	1-9%	1V : Full load @ 230VAC When dimming under 1V, the output current won't be defined.
	Galvanic isolation	Basic insulated to PRI and supplementary insulated to SEC	
Environment	Ambient temperature range t_a	-20°C - +50°C	
	Maximum case temperature t_c	70°C	
	Max. case temp. in fault condition	110°C	When operating under fault conditions, the temperature of the enclosure at any location should not exceed 110 °C
	Storage temperature range	-25°C - +85°C	
	Relative humidity	10% - 95%	
	Surge transient protection	1kV	L/N
	Environmental rating	Indoor	
	IP rating	IP20	
	Mains switching cycles	> 100,000	
	Expected lifetime		
	Full load	> 50,000 h, t_c 70 °C @ t_a 50 °C	0.2 % / 1,000 h failure rate
	Output load \leq 4.4W	> 100000 h, t_c 70 °C @ t_a 60 °C	0.1 % / 1,000 h failure rate
Packing	Gross weight/box	9.3 kg	
	Net weight/box	8.2 kg	
	Pcs/box	96 PCS	
	Dimension/box	395(L)*350(W)*215(H)mm	
Protections			
	Short-circuit Protection	Auto recovery	
	Open-circuit Protection	Auto recovery	
	Overload Protection	Auto recovery	
Conformity & Standards			
	Safety standard:	EN 61347-1, EN 61347-2-13, EN 62493	
	Performance:	EN 62384	
	EMC standard:	EN 55015, EN 61000-3-2, EN 61000-3-3, EN 61547	

Cable information

PRI Connection	L	N
Color	Brown	Blue
Wire type	7022	7022
Wire diameter	AWG18	AWG18
Wire length	139mm	140mm
Stripping	6mm	6mm
Tolerance	±5mm	±5mm

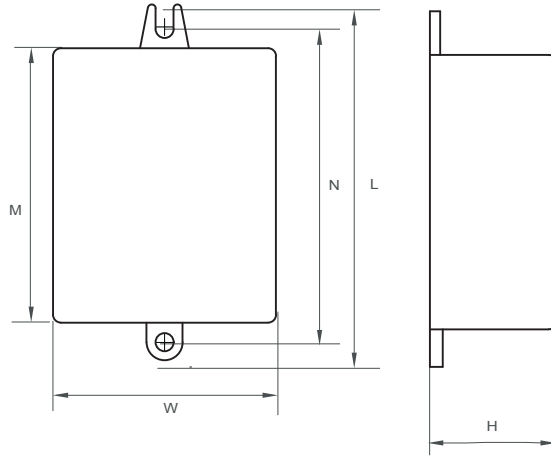
Sec Connection	+	-
Color	Red	Black
Wire type	1332	1332
Wire diameter	AWG22	AWG22
Wire length	138mm	136mm
Strip length	6mm	6mm
Tolerance	±5mm	±5mm

Control Input 1-10V	+	-
Color	Purple	Gray
Wire type	1332	1332
Wire diameter	AWG22	AWG22
Wire length	103mm	103mm
Stripping	10mm	10mm
Tolerance	±5mm	±5mm

Subject to change without notice, HEP guarantees all products perform functionally well

* If not mentioned, all the test conditions are based on full load at 230VAC input (for 220-240 VAC input).

**Physical
Parameter**

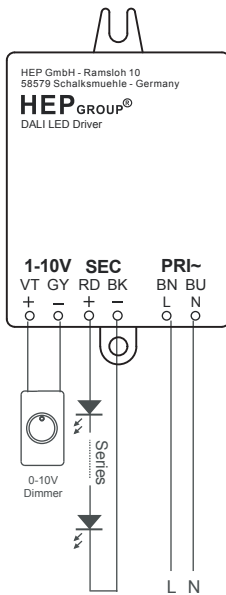


L : 69.3 mm W: 43.5 mm
M : 53.5 mm H : 24.6 mm
N : 61 mm

Tolerance : +/-1 mm , R : +/-0.5 mm

Housing Material : Polycarbonate
Soldering : Lead-Free, Comply With RoHS
Label : Surface Print

Wiring Diagram



Remark :
Before switching on the supply voltage all LEDs must be completely wired and connected, and be sure all wire connection complying with instruction of wiring diagram.