

Item	Value	Remark
Nominal voltage	220–240V	
Nominal frequency	50–60Hz	
AC voltage range	198–264V	
DC voltage range (start)	NA	
DC voltage range (operation)	NA	
Nominal current		
LNC40W500LRP	170mA	
LNC40W600LRP	205mA	
LNC40W800/1000LRP	215mA	
LNC40W850LRP	225mA	
LNC40W700/900LRP	240mA	
Total Harmonic Distortion (THD)	< 25%	Full load @230VAC
Power factor	0.93C-0.97	Full load @230VAC
Displacement factor	0.93C-0.97	Full load @230VAC
Efficiency	85%(Typ.)	Full load @230VAC
No-load power	NA	
Stand-by power	NA	
Protection class	NA	
Inrush current	6.5 A / 35 μs	
Max.units per circuit breaker	Type B , 10A MCB	17
	Type B , 16A MCB	27
	Type C , 10A MCB	21
	Type C , 16A MCB	33
Earth leakage current	NA	
Nominal voltage range		
LNC40W500/600/700LRP	35-57Vdc	
LNC40W800/850/900LRP	26-44Vdc	
LNC40W950/1000/1050LRP	22-38Vdc	
Maximum voltage		
LNC40W500/600/700LRP	63Vdc	
LNC40W800/850/900LRP	50Vdc	
LNC40W950/1000/1050LRP	45Vdc	

	Item	Value	Remark
	Nominal current range		
	LNC40W500LRP	500mA	
	LNC40W600LRP	600mA	
	LNC40W700LRP	700mA	
	LNC40W800LRP	800mA	
	LNC40W850LRP	850mA	
	LNC40W900LRP	900mA	
	LNC40W950LRP	950mA	
	LNC40W1000LRP	1000mA	
	LNC40W1050LRP	1050mA	
Output	Current accuracy	± 5%	
	Typical output LF current ripple	± 5%	Low Frequency<120Hz Full load @230VAC
	Starting time	< 0.5 S	Full load @230VAC
	Nominal power range		
	LNC40W500LRP	17.5-28.5W	
	LNC40W600LRP	21.0-34.2W	
	LNC40W700LRP	24.5-39.9W	
	LNC40W800LRP	20.8-35.2W	
	LNC40W850LRP	22.1-37.4W	
	LNC40W900LRP	23.4-39.6W	
	LNC40W950LRP	20.9-36.1W	
	LNC40W1000LRP	22.0-38.0W	
	LNC40W1050LRP	23.1-39.9W	
	Maximum power	40W	
Dimming	Dimming control	NA	
	Dimming technique	NA	
	PWM frequency	NA	
	Dimming range	NA	
	Lowest dimming current	NA	
	Galvanic isolation	NA	
	Ambient temperature range $t_a$	-20°C - +50°C	
Environment	Maximum case temperature $t_c$	110°C	When operating under fault conditions, the temperature of the enclosure at any location should not exceed 110 °C
	LNC40W500/600/700LRP	80°C	
	LNC40W800/850/900LRP	85°C	
	LNC40W950/1000/1050LRP	85°C	
	Max. case temp. in fault condition	NA	
	Storage temperature range	-25°C - +85°C	
	Relative humidity	10% - 85%	
	Surge transient protection	1 kV	L/N
	Environmental rating	Indoor	
	IP rating	IP20	
	Mains switching cycles	> 100,000	
	Expected lifetime	> 50,000 h, $t_c$ 80 °C @ $t_a$ 50 °C > 80,000 h, $t_c$ 70 °C @ $t_a$ 40 °C	> 50,000 h, $t_c$ 85 °C @ $t_a$ 50 °C > 80,000 h, $t_c$ 75 °C @ $t_a$ 40 °C 0.2 % / 1,000 h failure rate 0.1 % / 1,000 h failure rate
Packing	Gross weight/Carton	12.6 Kg	
	Net weight/Carton	11.5 Kg	
	Pcs/Carton	56 PCS	
	Dimension/Carton	490(L)*270(W)*225(H)mm	

<b>Protections</b>	
Short-circuit Protection	Auto recovery
Open-circuit Protection	Auto recovery
Overload Protection	Auto recovery

<b>Conformity &amp; Standards</b>	
Safety standard:	EN 61347-1, EN 61347-2-13, EN 62493
Performance:	EN 62384
EMC standard:	EN 55015, EN 61000-3-2, EN 61000-3-3, EN 61547
SAA standard:	AS/NZS 61347.1, AS/NZS IEC 61347.2.13

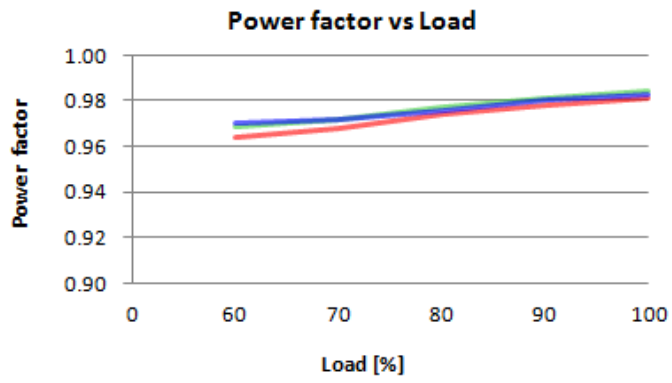
<b>Cable information</b>		
<b>PRI</b> Connection	L	N
Color	Brown	Blue
Wire type	7022	7022
Wire diameter	AWG18	AWG18
Wire length	135mm	135mm
Stripping	6mm	6mm
Tolerance	±5mm	±5mm

<b>Sec</b> Connection	+	-
Color	Red	Black
Wire type	1332	1332
Wire diameter	AWG22	AWG22
Wire length	134mm	134mm
Strip length	6mm	6mm
Tolerance	±5mm	±5mm

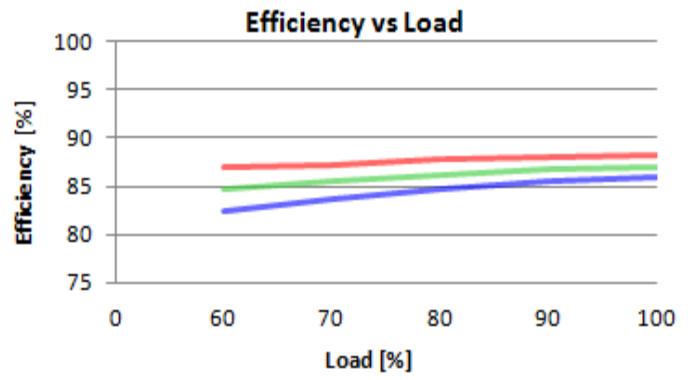
\*Subject to change without notice, HEP guarantees all products perform functionally well\*

\* If not mentioned, all the test conditions are based on full load at 230VAC input (for 220-240 VAC input).

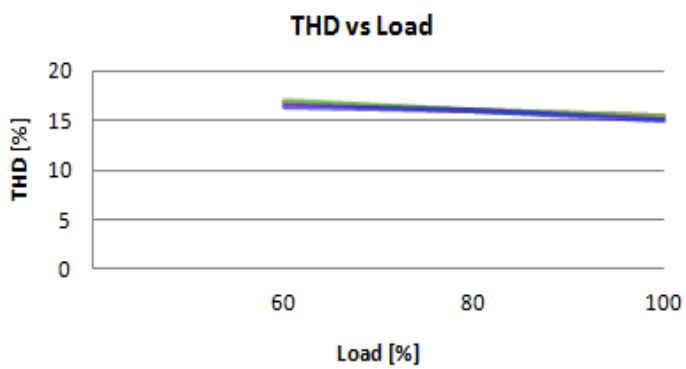
## Electrical Values



500/600/700 800/850/900 950/1000/1050

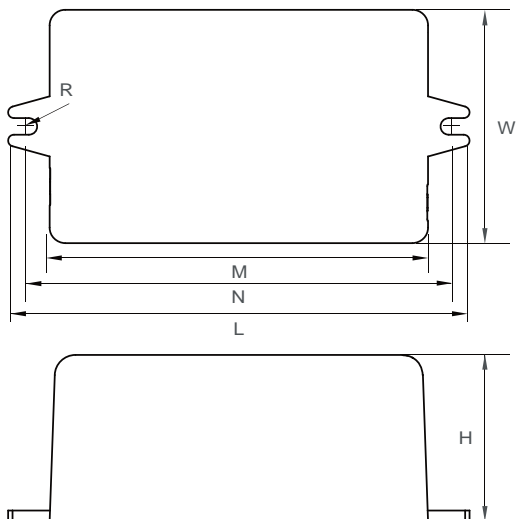


500/600/700 800/850/900 950/1000/1050



500/600/700 800/850/900 950/1000/1050

**Physical  
Parameter**



L : 96 mm    N : 88.2 mm    H : 32 mm  
M : 80 mm    W : 55 mm    R : 1.6 mm

Tolerance : +/-1 mm , R : +/-0.5 mm

Housing Material : Polycarbonate  
Soldering            Lead-Free, Comply With RoHS  
Label                 Surface Print

**Wiring Diagram**

