

Item	Value	Remark
Nominal voltage	220–240V	
Nominal frequency	50–60Hz	
AC voltage range	198–264V	
DC voltage range (start)	NA	
DC voltage range (operation)	NA	
Nominal current		
LNC30W550LRP	140mA	
LNC30W400/800LRP	145mA	
LNC30W600LRP	150mA	
LNC30W900LRP	160mA	
LNC30W450LRP	165mA	
LNC30W700LRP	175mA	
LNC30W500/1000LRP	180mA	
Total Harmonic Distortion (THD)	< 20%	Full load @230VAC
Power factor	0.94C-0.97	Full load @230VAC
Displacement factor	0.94C-0.97	Full load @230VAC
Efficiency	85%(Typ.)	Full load @230VAC
No-load power	NA	
Stand-by power	NA	
Protection class	NA	
Inrush current	6 A / 35 μs	
Max.units per circuit breaker	Type B , 10A MCB	22
	Type B , 16A MCB	36
	Type C , 10A MCB	28
	Type C , 16A MCB	44
Earth leakage current	NA	
Nominal voltage range		
LNC30W400/450/500LRP	36-60Vdc	
LNC30W550/600/700LRP	25-42Vdc	
LNC30W800/900/1000LRP	18-30Vdc	
Maximum voltage		
LNC30W400/450/500LRP	70Vdc	

	Item	Value	Remark
	LNC30W550/600/700LRP	50Vdc	
	LNC30W800/900/1000LRP	38Vdc	
	Nominal current range		
	LNC30W400LRP	400mA	
	LNC30W450LRP	450mA	
	LNC30W500LRP	500mA	
	LNC30W550LRP	550mA	
	LNC30W600LRP	600mA	
	LNC30W700LRP	700mA	
	LNC30W800LRP	800mA	
	LNC30W900LRP	900mA	
	LNC30W1000LRP	1000mA	
	Current accuracy		
Output	LNC30W400LRP	± 6%	
	LNC30W450/500/550/600LRP	± 5%	
	LNC30W700/800/900/1000LRP	± 5%	
	Typical output LF current ripple	± 5%	Low Frequency<120Hz Full load @230VAC
	Starting time	< 0.5 S	Full load @230VAC
	Nominal power range		
	LNC30W400LRP	14.4-24.0W	
	LNC30W450LRP	16.2-27.0W	
	LNC30W500LRP	18.0-30.0W	
	LNC30W550LRP	13.8-23.1W	
	LNC30W600LRP	15.0-25.2W	
	LNC30W700LRP	17.5-29.4W	
	LNC30W800LRP	14.4-24.0W	
	LNC30W900LRP	16.2-27.0W	
	LNC30W1000LRP	18.0-30.0W	
	Maximum power	30W	
Dimming	Dimming control	NA	
	Dimming technique	NA	
	PWM frequency	NA	
	Dimming range	NA	
	Lowest dimming current	NA	
	Galvanic isolation	NA	
		Ambient temperature range t_a	-20°C - +50°C
	Maximum case temperature t_c	80°C	
	Max. case temp. in fault condition	110°C	When operating under fault conditions, the temperature of the enclosure at any location should not exceed 110 °C
Environment	Storage temperature range	-25°C - +85°C	
	Relative humidity	10%- 85%	
	Surge transient protection	1 kV	L/N
	Environmental rating	Indoor	
	IP rating	IP20	
	Mains switching cycles	> 100,000	
	Expected lifetime	> 50,000 h, t_c 80 °C @ t_a 50 °C > 80,000 h, t_c 70 °C @ t_a 40 °C	0.2 % / 1,000 h failure rate 0.1 % / 1,000 h failure rate

Packing	Gross weight/Carton	11.2 kg
	Net weight/Carton	10.3 kg
	Pcs/Carton	64 PCS
	Dimension/Carton	415(L)*255(W)*240(H)mm

Protections

Short-circuit Protection	Auto recovery
Open-circuit Protection	Auto recovery
Overload Protection	Auto recovery

Conformity & Standards

Safety standard:	EN 61347-1, EN 61347-2-13, EN 62493
Performance:	EN 62384
EMC standard:	EN 55015, EN 61000-3-2, EN 61000-3-3, EN 61547
SAA standard:	AS/NZS 61347.1, AS/NZS IEC 61347.2.13

Cable information

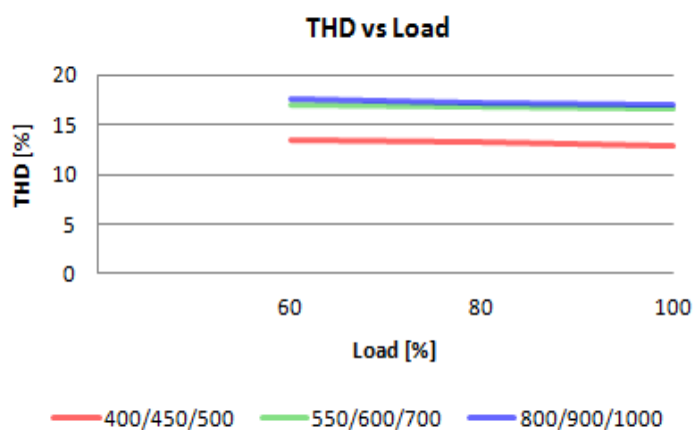
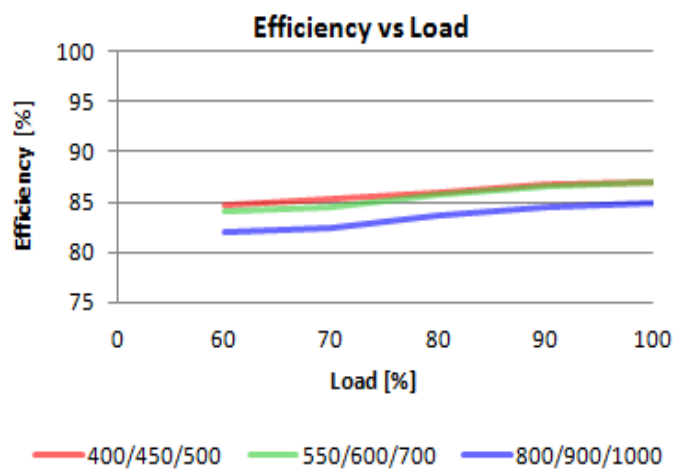
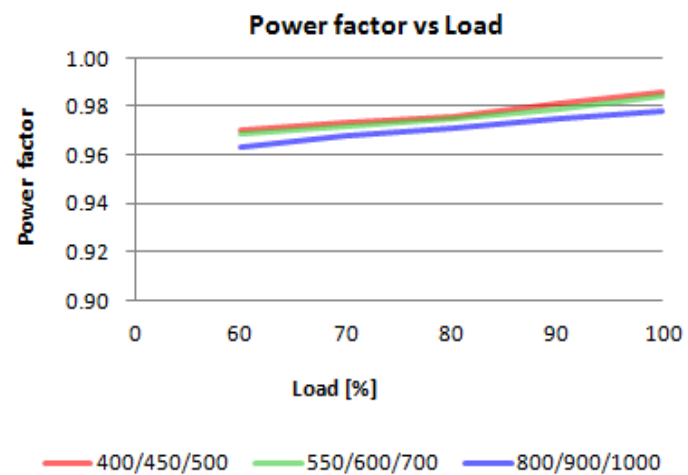
PRI Connection	L	N
Color	Brown	Blue
Wire type	7022	7022
Wire diameter	AWG18	AWG18
Wire length	135mm	135mm
Stripping	6mm	6mm
Tolerance	±5mm	±5mm

Sec Connection	+	-
Color	Red	Black
Wire type	1332	1332
Wire diameter	AWG22	AWG22
Wire length	135mm	135mm
Strip length	6mm	6mm
Tolerance	±5mm	±5mm

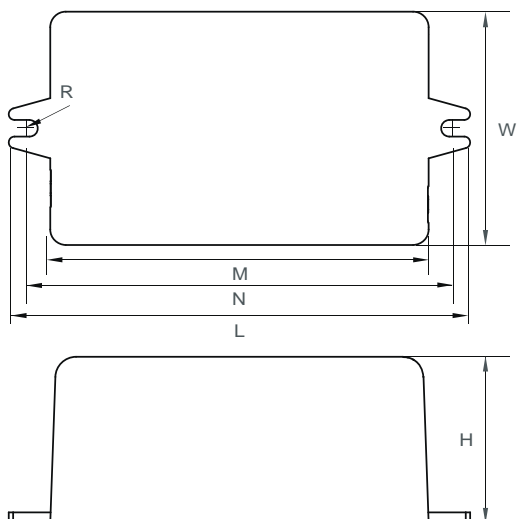
Subject to change without notice, HEP guarantees all products perform functionally well

* If not mentioned, all the test conditions are based on full load at 230VAC input (for 220-240 VAC input).

Electrical Values



**Physical
Parameter**



L : 89 mm N : 81 mm H : 32 mm
M : 73 mm W : 45 mm R : 1.6 mm

Tolerance : +/-1 mm , R : +/-0.5 mm

Housing Material : Polycarbonate
Soldering Lead-Free, Comply With RoHS
Label Surface Print

Wiring Diagram

