



Item	Value	Remark
Nominal voltage	220–240V	
Nominal frequency	50–60Hz	
AC voltage range	198–264V	
DC voltage range (start)	NA	
DC voltage range (operation)	NA	
Nominal current		
LNC20W250LRP	90mA	
LNC20W550LRP	100mA	
LNC20W400LRP	105mA	
LNC20W300/600LRP	110mA	
LNC20W450LRP	115mA	
LNC20W350LRP	125mA	
LNC20W700LRP	130mA	
Total Harmonic Distortion (THD)	< 20%	Full load @230VAC
Power factor	0.9C-0.97	Full load @230VAC
Displacement factor	0.9C-0.97	Full load @230VAC
Efficiency	83%(Typ.)	Full load @230VAC
No-load power	NA	
Stand-by power	NA	
Protection class	NA	
Inrush current	6.5 A / 25 μs	
Max.units per circuit breaker	Type B , 10A MCB	31
	Type B , 16A MCB	49
	Type C , 10A MCB	38
	Type C , 16A MCB	62
Earth leakage current	NA	
Nominal voltage range		
LNC20W250/300/350LRP	34-57Vdc	
LNC20W400/450/500LRP	22-41Vdc	
LNC20W550/600/700LRP	17-29Vdc	
Maximum voltage		
LNC20W250/300/350LRP	63Vdc	
LNC20W400/450/500LRP	50Vdc	
LNC20W550/600/700LRP	35Vdc	

	Item	Value	Remark
	Nominal current range		
	LNC20W250LRP	250mA	
	LNC20W300LRP	300mA	
	LNC20W350LRP	350mA	
	LNC20W400LRP	400mA	
	LNC20W450LRP	450mA	
	LNC20W500LRP	500mA	
	LNC20W550LRP	550mA	
	LNC20W600LRP	600mA	
	LNC20W700LRP	700mA	
Output	Current accuracy	± 5%	
	Typical output LF current ripple	± 5%	Low Frequency<120Hz Full load @230VAC
	Starting time	< 0.5 S	Full load @230VAC
	Nominal power range		
	LNC20W250LRP	8.5-14.2W	
	LNC20W300LRP	10.2-17.1W	
	LNC20W350LRP	11.9-19.9W	
	LNC20W400LRP	8.8-16.4W	
	LNC20W450LRP	9.9-18.4W	
	LNC20W500LRP	11.0-20.5W	
	LNC20W550LRP	9.4-15.9W	
	LNC20W600LRP	10.2-17.4W	
	LNC20W700LRP	11.9-20.3W	
	Maximum power	21W	
Dimming	Dimming control	NA	
	Dimming technique	NA	
	PWM frequency	NA	
	Dimming range	NA	
	Lowest dimming current	NA	
	Galvanic isolation	NA	
	Ambient temperature range t_a	-20°C - +50°C	
	Maximum case temperature t_c		
	LNC20W250/300/350LRP	75°C	
	LNC20W400/450/500LRP	75°C	
	LNC20W550/600/700LRP	80°C	
Environment	Max. case temp. in fault condition	110°C	When operating under fault conditions, the temperature of the enclosure at any location should not exceed 110 °C
	Storage temperature range	-25°C - +85°C	
	Relative humidity	10% - 85%	
	Surge transient protection	1 kV	L/N
	Environmental rating	Indoor	
	IP rating	IP20	
	Mains switching cycles	> 100,000	
	Expected lifetime	> 50,000 h, t_c 75 °C @ t_a 50 °C > 80,000 h, t_c 65 °C @ t_a 40 °C	> 50,000 h, t_c 80 °C @ t_a 50 °C > 80,000 h, t_c 70 °C @ t_a 40 °C 0.2 % / 1,000 h failure rate 0.1 % / 1,000 h failure rate

Packing	Gross weight/Carton	7.4 kg
	Net weight/Carton	6.0 kg
	Pcs/Carton	80 PCS
	Dimension/Carton	415(L)*255(W)*240(H)mm

Protections

Short-circuit Protection	Auto recovery
Open-circuit Protection	Auto recovery
Overload Protection	Auto recovery

Conformity & Standards

Safety standard:	EN 61347-1, EN 61347-2-13, EN 62493
Performance:	EN 62384
EMC standard:	EN 55015, EN 61000-3-2, EN 61000-3-3, EN 61547
SAA standard:	AS/NZS 61347.1, AS/NZS IEC 61347.2.13

Cable information

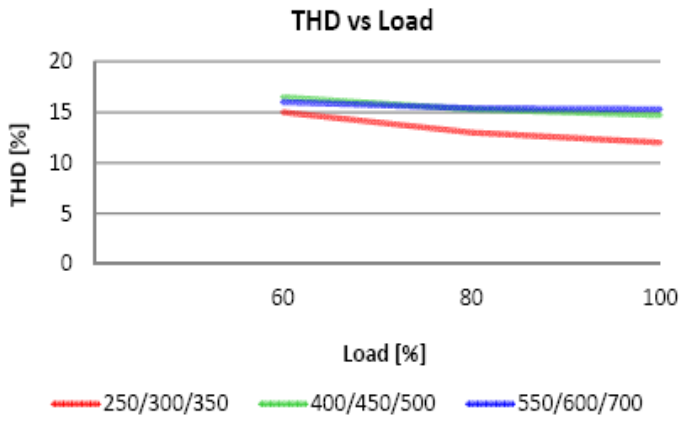
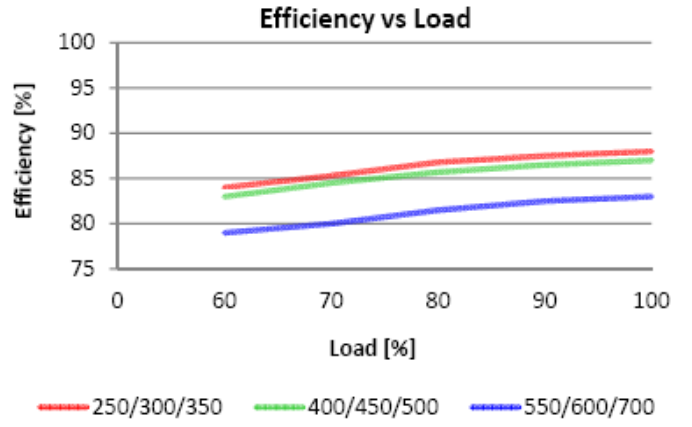
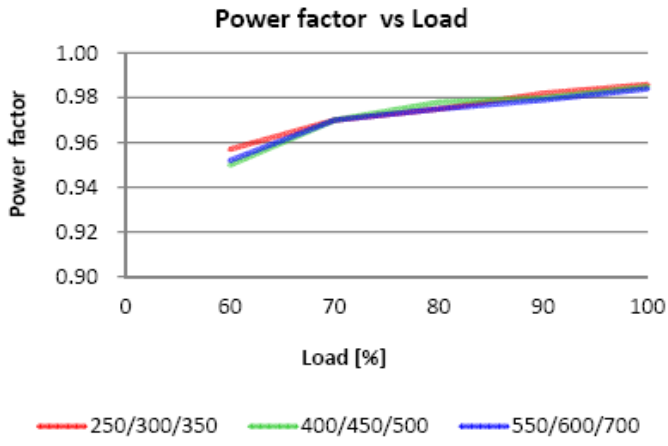
PRI Connection	L	N
Color	Brown	Blue
Wire type	7022	7022
Wire diameter	AWG18	AWG18
Wire length	140mm	140mm
Stripping	6mm	6mm
tolerance	±5mm	±5mm

Sec Connection	+	-
Color	Red	Black
Wire type	1332	1332
Wire diameter	AWG22	AWG22
Wire length	140mm	140mm
Strip length	6mm	6mm
tolerance	±5mm	±5mm

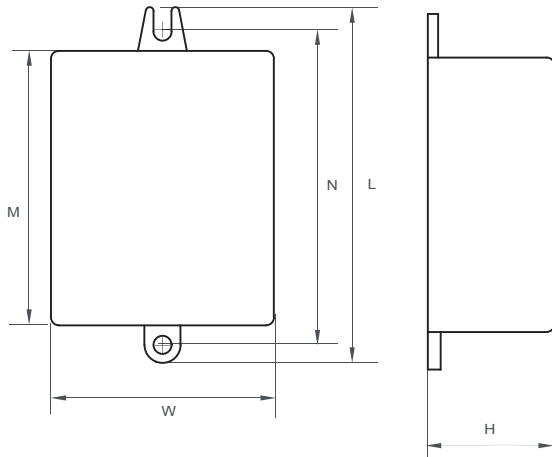
Subject to change without notice, HEP guarantees all products perform functionally well

* If not mentioned, all the test conditions are based on full load at 230VAC input (for 220-240 VAC input).

Electrical Values



Physical Parameter



L : 78.3 mm W: 43.5 mm
M : 63 mm H: 26 mm
N : 71 mm

Tolerance : +/-1 mm , R : +/-0.5 mm

Housing Material : Polycarbonate
Soldering Lead-Free, Comply With RoHS
Label Surface Print

Wiring Diagram

