

| Item                            | Value            | Remark             |
|---------------------------------|------------------|--------------------|
| Nominal voltage                 | 220–240V         |                    |
| Nominal frequency               | 50–60Hz          |                    |
| AC voltage range                | 198–264V         |                    |
| DC voltage range (start)        | NA               |                    |
| DC voltage range (operation)    | NA               |                    |
| Nominal current                 |                  |                    |
| LNC20W700LRP-1C                 | 130mA            |                    |
| LNC20W600LRP-1C                 | 115mA            |                    |
| LNC20W550LRP-1C                 | 110mA            |                    |
| LNC20W500LRP-1C                 | 130mA            |                    |
| LNC20W450LRP-1C                 | 120mA            |                    |
| LNC20W400LRP-1C                 | 110mA            |                    |
| LNC20W350LRP-1C                 | 130mA            |                    |
| LNC20W300LRP-1C                 | 110mA            |                    |
| LNC20W200LRP-1C                 | 85mA             |                    |
| Total Harmonic Distortion (THD) | < 25%            | Full load @ 230VAC |
| Power factor                    | 0.9C             | Full load @ 230VAC |
| Displacement factor             | 0.9C             | Full load @ 230VAC |
| Efficiency                      | 80% (Typ.)       | Full load @ 230VAC |
| No-load power                   | NA               |                    |
| Stand-by power                  | < 0.5W           |                    |
| Protection class                | NA               |                    |
| Inrush current                  | 6.24 A / 17.6µs  |                    |
| Max.units per circuit breaker   | Type B , 10A MCB | 31                 |
|                                 | Type B , 16A MCB | 49                 |
|                                 | Type C , 10A MCB | 38                 |
|                                 | Type C , 16A MCB | 62                 |
| Earth leakage current           | NA               |                    |
| Nominal voltage range           |                  |                    |
| LNC20W700/600/550LRP-1C         | 20-29 Vdc        |                    |
| LNC20W500/450/400LRP-1C         | 28-40 Vdc        |                    |
| LNC20W350/300/200LRP-1C         | 40-58 Vdc        |                    |
| Maximum voltage                 |                  |                    |
| LNC20W700/600/550LRP-1C         | 40 Vdc           |                    |
| LNC20W500/450/400LRP-1C         | 52 Vdc           |                    |
| LNC20W350/300/200LRP-1C         | 68 Vdc           |                    |

|                    | Item                               | Value   | Remark   |
|--------------------|------------------------------------|---|--|
|                    | Nominal current range              |   |  |
|                    | LNC20W700LRP-1C                    | 700mA   |  |
|                    | LNC20W600LRP-1C                    | 600mA   |  |
|                    | LNC20W550LRP-1C                    | 550mA   |  |
|                    | LNC20W500LRP-1C                    | 500mA   |  |
|                    | LNC20W450LRP-1C                    | 450mA   |  |
|                    | LNC20W400LRP-1C                    | 400mA   |  |
|                    | LNC20W350LRP-1C                    | 350mA   |  |
|                    | LNC20W300LRP-1C                    | 300mA   |  |
|                    | LNC20W200LRP-1C                    | 200mA   |  |
| Output             | Current accuracy                   | ± 5%  |  |
|                    | Typical output LF current ripple   | ± 6%  | Low Frequency<120Hz<br>Full load @ 230VAC (Peak to Peak )  |
|                    | Starting time                      | < 0.5 S   | Full load @230VAC  |
|                    | Nominal power range                |   |  |
|                    | LNC20W700LRP-1C                    | 14.0-20.3W  |  |
|                    | LNC20W600LRP-1C                    | 12.0-17.4W  |  |
|                    | LNC20W550LRP-1C                    | 11.0-15.9W  |  |
|                    | LNC20W500LRP-1C                    | 14.0-20.0W  |  |
|                    | LNC20W450LRP-1C                    | 12.6-18.0W  |  |
|                    | LNC20W400LRP-1C                    | 11.2-16.0W  |  |
|                    | LNC20W350LRP-1C                    | 14.0-20.3W  |  |
|                    | LNC20W300LRP-1C                    | 12.0-17.4W  |  |
|                    | LNC20W200LRP-1C                    | 8.0-11.6W   |  |
|                    | Maximum power                      | 20W   |  |
| Dimming            | Dimming control                    | 0/1-10V   | 0V:Dimming Port Short  |
|                    | Dimming technique                  | Amplitude   |  |
|                    | PWM frequency                      | NA  |  |
|                    | Dimming range                      | 5-100%  |  |
|                    | Lowest dimming current             | 4-8%  | 1V : Full load @ 230VAC<br>When dimming under 1V, the output current won't be defined.                           |
|                    | Galvanic isolation                 | Basic insulated to PRI and supplementary insulated to SEC   |  |
| Environment        | Ambient temperature range $t_a$    | -20°C - +50°C   |  |
|                    | Maximum case temperature $t_c$     | 80°C  | $t_a = 50\text{ °C}$   |
|                    | Max. case temp. in fault condition | 110°C   | When operating under fault conditions, the temperature of the enclosure at any location should not exceed 110 °C |
|                    | Storage temperature range          | -40°C - +85°C   |  |
|                    | Relative humidity                  | 10% - 95%   |  |
|                    | Surge transient protection         | 1 kV  | L/N  |
|                    | Environmental rating               | Indoor  |  |
|                    | IP rating                          | IP20  |  |
|                    | Mains switching cycles             | > 100,000   |  |
|                    | Expected lifetime                  | > 50,000 h, $t_c 80\text{ °C}$ @ $t_a 50\text{ °C}$<br>> 100,000 h, $t_c 70\text{ °C}$ @ $t_a 40\text{ °C}$ | 0.2 % / 1,000 h failure rate @ $t_c 85\text{ °C}$<br>0.1 % / 1,000 h failure rate @ $t_c 75\text{ °C}$           |
| Packing            | Gross weight/Carton                | 9.4 kg  |  |
|                    | Net weight/Carton                  | 8.3 kg  |  |
|                    | Pcs/Carton                         | 64 PCS  |  |
|                    | Dimension/Carton                   | 490(L)*270(W)*225(H)mm  |  |
| <b>Protections</b> |                                    |   |  |
|                    | Short-circuit Protection           | Auto recovery   |  |
|                    | Open-circuit Protection            | Auto recovery   |  |
|                    | Overload Protection                | Auto recovery   |  |

**Conformity & Standards**

|                  |  |
|------------------|--|
| Safety standard: | EN 61347-1, EN 61347-2-13, EN 62493            |
| Performance:     | EN 62384                                       |
| EMC standard:    | EN 55015, EN 61000-3-2, EN 61000-3-3, EN 61547 |
| SAA standard:    | AS/NZS 61347.1, AS/NZS IEC 61347.2.13          |

**Cable information**

|                       |       |       |
|-----------------------|-------|-------|
| <b>PRI</b> Connection | L     | N     |
| Color                 | Brown | Blue  |
| Wire type             | 7022  | 7022  |
| Wire diameter         | AWG18 | AWG18 |
| Wire length           | 130mm | 128mm |
| Stripping             | 6mm   | 6mm   |
| Tolerance             | ±5mm  | ±5mm  |

|                       |       |       |
|-----------------------|-------|-------|
| <b>Sec</b> Connection | +     | -     |
| Color                 | Red   | Black |
| Wire type             | 1332  | 1332  |
| Wire diameter         | AWG22 | AWG22 |
| Wire length           | 141mm | 138mm |
| Strip length          | 6mm   | 6mm   |
| Tolerance             | ±5mm  | ±5mm  |

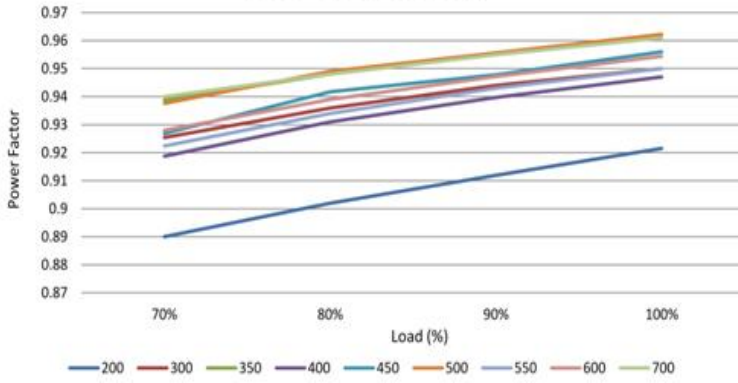
|                            |        |       |
|----------------------------|--------|-------|
| <b>Control Input 1-10V</b> | +      | -     |
| Color                      | Purple | Gray  |
| Wire type                  | 1332   | 1332  |
| Wire diameter              | AWG22  | AWG22 |
| Wire length                | 126mm  | 126mm |
| Stripping                  | 10mm   | 10mm  |
| Tolerance                  | ±5mm   | ±5mm  |

\*Subject to change without notice, HEP guarantees all products perform functionally well\*

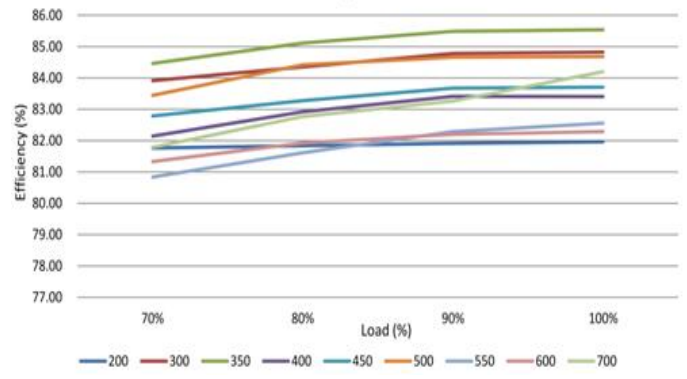
\* If not mentioned, all the test conditions are based on full load at 230VAC input (for 220-240 VAC input).

**Electrical Values**

**Power Factor vs Load**

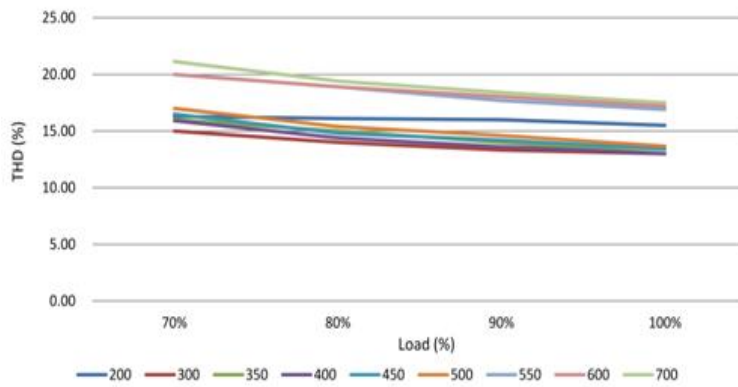


**Efficiency vs Load**

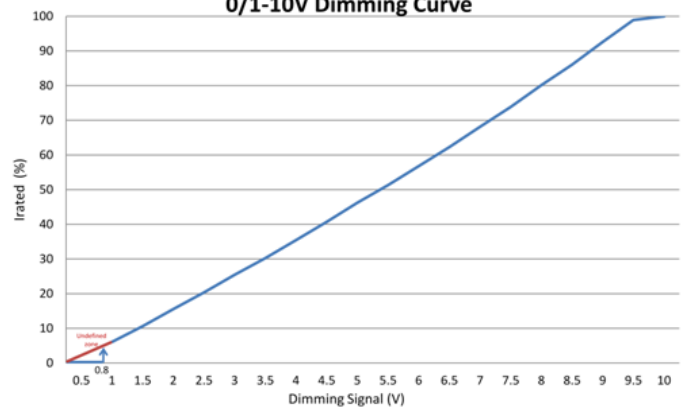


100 % load corresponds to the max output power.

**THD vs Load**



**0/1-10V Dimming Curve**

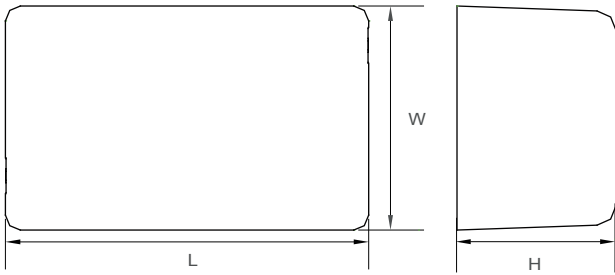


When dimming under 1V, the output current won't be defined.

**Physical**

Parameter

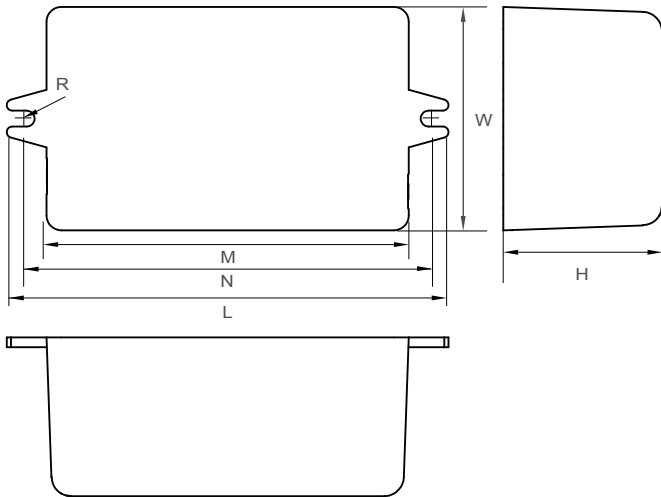
Clear type



L : 73 mm H : 25 mm  
 W : 45 mm  
 Tolerance : +/-1 mm

Housing Material : Polycarbonate / Potting  
 Soldering : Lead-Free, Comply With RoHS  
 Label : Surface Print

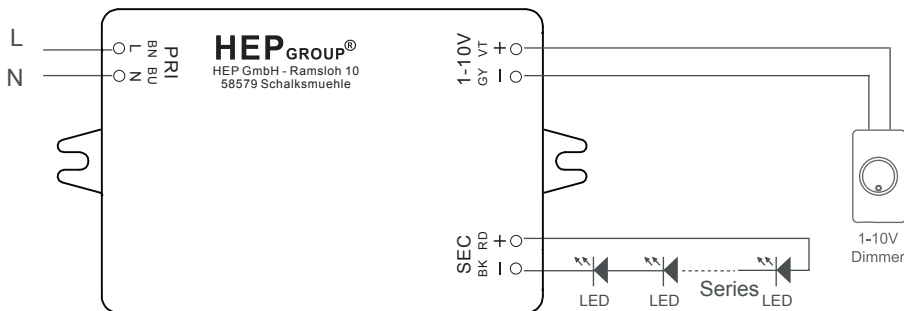
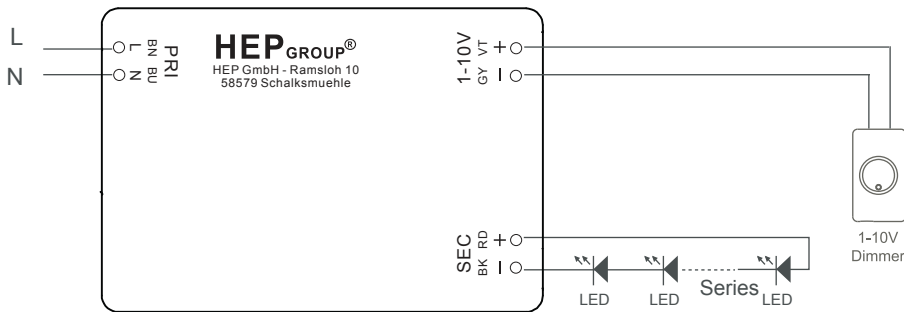
Screw clip type



L : 88 mm N : 80.3 mm H : 25 mm  
 M : 73 mm W : 45 mm R : 1.6 mm  
 Tolerance : +/-1 mm , R : +/-0.5 mm

Housing Material : Polycarbonate / Potting  
 Soldering : Lead-Free, Comply With RoHS  
 Label : Surface Print

**Wiring Diagram**



**Remark :**

**Before switching on the supply voltage all LEDs must be completely wired and connected, and be sure all wire connection complying with instruction of wiring diagram.**