



Item	Value	Remark
Nominal voltage	220–240V	
Nominal frequency	50–60Hz	
AC voltage range	198–264V	
DC voltage range (start)	NA	
DC voltage range (operation)	NA	
Nominal current		
LNC15W180LR	45mA	
LNC15W200LR	50mA	
LNC15W250LR	65mA	
LNC15W300LR	75mA	
LNC15W350LR	90mA	
Total Harmonic Distortion (THD)	< 20%	Full load @230VAC
Power factor		Full load @230VAC
LNC15W180LR	0.8-0.9C	
LNC15W200/250LR	0.86C-0.95	
LNC15W300/350LR	0.9C-0.95	
Displacement factor		Full load @230VAC
LNC15W180LR	0.8-0.9C	
LNC15W200/250LR	0.86C-0.95	
LNC15W300/350LR	0.9C-0.95	
Efficiency		
LNC15W180LR	80%(Typ.)	Full load @230VAC
LNC15W200LR	81%(Typ.)	Full load @230VAC
LNC15W250/300/350LR	82%(Typ.)	Full load @230VAC
No-load power	NA	
Stand-by power	NA	
Protection class	NA	
Inrush current	4.5 A / 25 μs	
Max.units per circuit breaker	Type B , 10A MCB	44
	Type B , 16A MCB	71
	Type C , 10A MCB	56
	Type C , 16A MCB	89
Earth leakage current	NA	

	Item	Value	Remark
	Nominal voltage range	30-40Vdc	
	Maximum voltage	50Vdc	
	Nominal current range		
	LNC15W180LR	180mA	
	LNC15W200LR	200mA	
	LNC15W250LR	250mA	
	LNC15W300LR	300mA	
	LNC15W350LR	350mA	
	Current accuracy		
Output	LNC15W180LR	± 11%	
	LNC15W200LR	± 10%	
	LNC15W250/300LR	± 6%	
	LNC15W350LR	± 5%	
	Typical output LF current ripple	± 5%	Low Frequency<120Hz Full load @230VAC
Starting time	< 0.5 S	Full load @230VAC	
	Nominal power range		
	LNC15W180LR	5.4-7.2W	
	LNC15W200LR	6.0-8.0W	
	LNC15W250LR	7.5-10.0W	
	LNC15W300LR	9.0-12.0W	
	LNC15W350LR	10.5-14.0W	
	Maximum power	15W	
Dimming	Dimming control	NA	
	Dimming technique	NA	
	PWM frequency	NA	
	Dimming range	NA	
	Lowest dimming current	NA	
	Galvanic isolation	NA	
		Ambient temperature range t <sub>a</sub>	-20°C - +50°C
	Maximum case temperature t <sub>c</sub>	65°C	
	Max. case temp. in fault condition	110°C	When operating under fault conditions, the temperature of the enclosure at any location should not exceed 110 °C
Environment	Storage temperature range	-25°C - +85°C	
	Relative humidity	10% - 85%	
	Surge transient protection	1 kV	L/N
	Environmental rating	Indoor	
	IP rating	IP20	
	Mains switching cycles	> 100,000	
	Expected lifetime	> 50,000 h, t <sub>c</sub> 65 °C @ t <sub>a</sub> 50 °C > 80,000 h, t <sub>c</sub> 55 °C @ t <sub>a</sub> 40 °C	0.2 % / 1,000 h failure rate 0.1 % / 1,000 h failure rate
Packing	Gross weight/Carton	7.1 kg	
	Net weight/Carton	5.6 kg	
	Pcs/Carton	80 PCS	
	Dimension/Carton	415(L)*255(W)*240(H)mm	
<b>Protections</b>			
	Short-circuit Protection	Auto recovery	
	Open-circuit Protection	Auto recovery	
	Overload Protection	Auto recovery	

## Conformity & Standards

Safety standard:	EN 61347-1, EN 61347-2-13, EN 62493
Performance:	EN 62384
EMC standard:	EN 55015, EN 61000-3-2, EN 61000-3-3, EN 61547
SAA standard:	AS/NZS 61347.1, AS/NZS IEC 61347.2.13

## Cable information

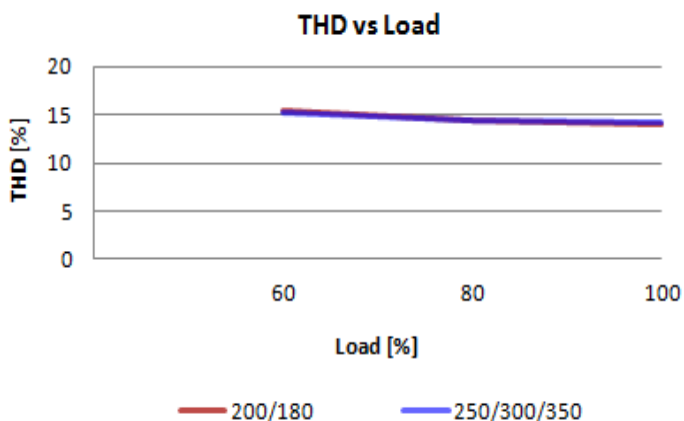
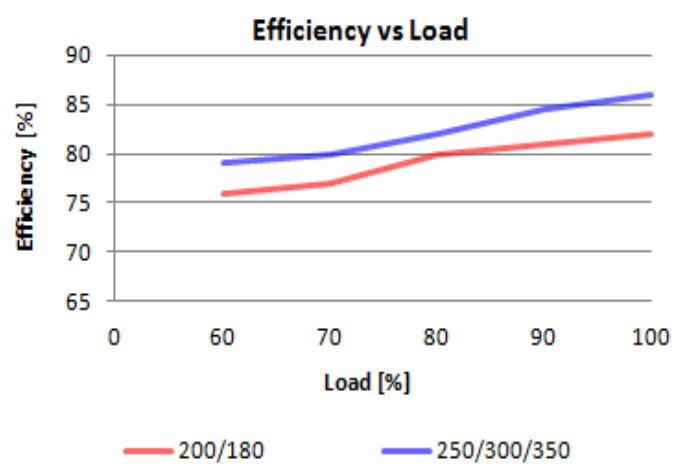
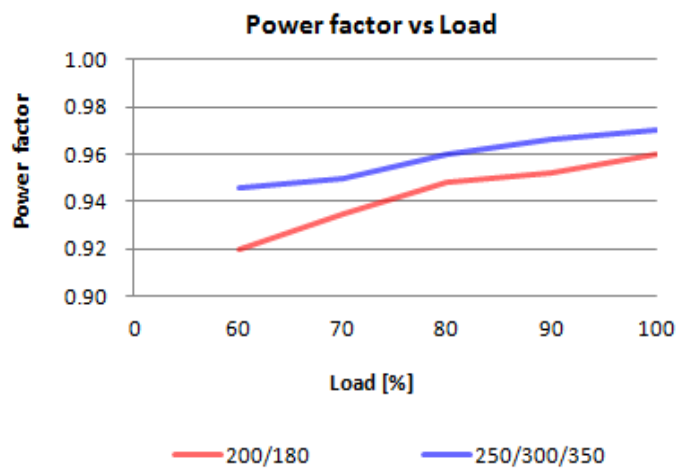
PRI Connection	L	N
Color	Brown	Blue
Wire type	7022	7022
Wire diameter	AWG18	AWG18
Wire length	140mm	140mm
Stripping	6mm	6mm
Tolerance	±5mm	±5mm

Sec Connection	+	-
Color	Red	Black
Wire type	1332	1332
Wire diameter	AWG22	AWG22
Wire length	140mm	140mm
Strip length	6mm	6mm
Tolerance	±5mm	±5mm

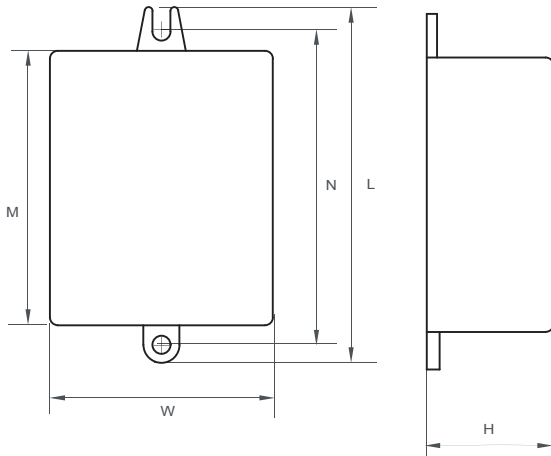
\*Subject to change without notice, HEP guarantees all products perform functionally well\*

\* If not mentioned, all the test conditions are based on full load at 230VAC input (for 220-240 VAC input).

## Electrical Values



## Physical Parameter



L : 78.3 mm    W: 43.5 mm  
M: 63 mm    H: 26 mm  
N : 71 mm

Tolerance : +/-1 mm , R : +/-0.5 mm

Housing Material : Polycarbonate  
Soldering            Lead-Free, Comply With RoHS  
Label                Surface Print

## Wiring Diagram

