



| Item | Value | Remark | |
|------------------------------|---------------------------------|------------------------------|----|
| Nominal voltage | 220–240V | | |
| Nominal frequency | 50–60Hz | | |
| AC voltage range | 198–264V | | |
| DC voltage range (start) | NA | | |
| DC voltage range (operation) | NA | | |
| Nominal current | | | |
| LNC10W200/400LR-1C | 55mA | | |
| LNC10W450LR-1C | 60mA | | |
| LNC10W350/500LR-1C | 65mA | | |
| Input | Total Harmonic Distortion (THD) | < 25% Full load @ 230VAC | |
| | Power factor | > 0.8C Full load @ 230VAC | |
| | Displacement factor | > 0.8C Full load @ 230VAC | |
| | Efficiency | 75%(Typ.) Full load @ 230VAC | |
| | No-load power | NA | |
| | Stand-by power | < 0.5W | |
| | Protection class | NA | |
| | Inrush current | 12 A / 40 μs | |
| | Max.units per circuit breaker | Type B , 10A MCB | 62 |
| | | Type B , 16A MCB | 98 |
| Type C , 10A MCB | | 77 | |
| Type C , 16A MCB | | 123 | |
| Earth leakage current | 0.3mA | | |
| Output | Nominal voltage range | | |
| | LNC10W200/350LR-1C | 20-29 Vdc | |
| | LNC10W400/450/500LR-1C | 14-20 Vdc | |
| | Maximum voltage | | |
| | LNC10W200/350LR-1C | 37Vdc | |
| | LNC10W400/450/500LR-1C | 27Vdc | |
| | Nominal current range | Full load @ 230VAC | |
| | LNC10W200LR-1C | 200mA | |
| | LNC10W350LR-1C | 350mA | |
| | LNC10W400LR-1C | 400mA | |
| | LNC10W450LR-1C | 450mA | |
| LNC10W500LR-1C | 500mA | | |

| | Item | Value | Remark |
|-----------------------------------|------------------------------------------|--------------------------------------------------------------------------------------------------------------------|------------------------------------------------------------------------------------------------------------------|
| | Current accuracy | | |
| | LNC10W500/450/400/350LR-1C | ± 5% | |
| | LNC10W200LR-1C | ± 7% | |
| | Starting time | < 0.5 S | Full load @230VAC |
| Output | Typical output LF current ripple | ± 5% | Low Frequency<120Hz Full load @ 230VAC (Peak to Peak) |
| | Nominal power range | | |
| | LNC10W200LR-1C | 4.0-5.8W | |
| | LNC10W350LR-1C | 7.0-10.1W | |
| | LNC10W400LR-1C | 5.6-8.0W | |
| | LNC10W450LR-1C | 6.3-9.0W | |
| | LNC10W500LR-1C | 7.0-10.0W | |
| | Maximum power | 12W | |
| Dimming | Dimming control | 0/1-10V | 0V:Dimming Port Short |
| | Dimming technique | Amplitude | |
| | PWM frequency | NA | |
| | Dimming range | 10-100% | 1-10V |
| | Lowest dimming current | 2-10% | 1V : Full load @ 230VAC When dimming under 1V, the output current won't be defined. |
| | Galvanic isolation | Basic insulated to PRI and supplementary insulated to SEC | |
| | Ambient temperature range t _a | -20°C - +50°C | |
| | Maximum case temperature t _c | 70°C | |
| | Max. case temp. in fault condition | 110°C | When operating under fault conditions, the temperature of the enclosure at any location should not exceed 110 °C |
| Environment | Storage temperature range | -25°C - +85°C | |
| | Relative humidity | 10% - 95% | |
| | Surge transient protection | 1 kV | L/N |
| | Environmental rating | Indoor | |
| | IP rating | IP20 | |
| | Mains switching cycles | > 100,000 | |
| | Expected lifetime | > 50,000 h, t _c 70 °C @ t _a 50 °C > 80,000 h, t _c 60 °C @ t _a 40 °C | |
| | | | |
| Packing | Gross weight/Carton | 8.1 kg | |
| | Net weight/Carton | 7.0 kg | |
| | Pcs/Carton | 108 PCS | |
| | Dimension/Carton | 490(L)*270(W)*225(H)mm | |
| Protections | | | |
| | Short-circuit Protection | Auto recovery | |
| | Open-circuit Protection | Auto recovery | |
| | Overload Protection | Auto recovery | |
| Conformity & Standards | | | |
| | Safety: | EN 61347-1, EN 61347-2-13, EN 62493 | |
| | Performance: | EN 62384 | |
| | EMC standard: | EN 55015, EN 61000-3-2, EN 61000-3-3, EN 61547 | |
| | SAA standard: | AS/NZS 61347.1, AS/NZS IEC 61347.2.13 | |
| Cable information | | | |
| | PRI Connection | L | N |
| | Color | Brown | Blue |
| | Wire type | 7022 | 7022 |
| | Wire diameter | AWG18 | AWG18 |
| | Wire length | 139mm | 140mm |
| | Stripping | 6mm | 6mm |
| | tolerance | ±5mm | ±5mm |

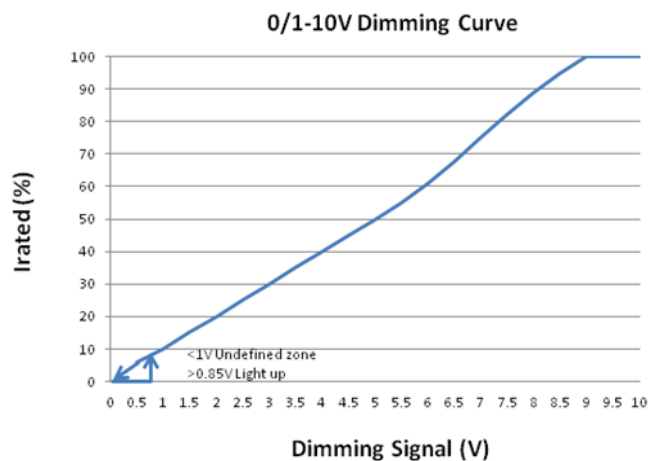
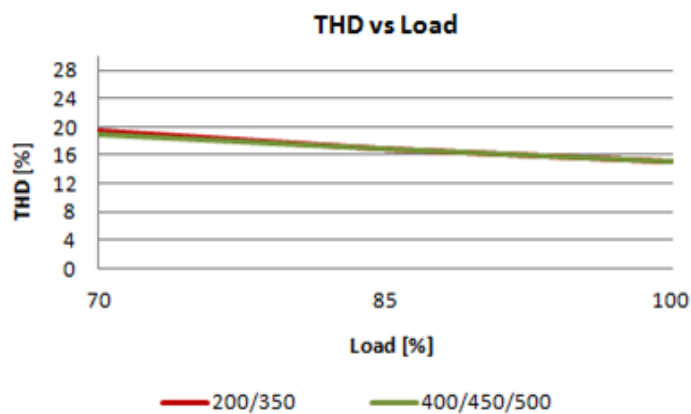
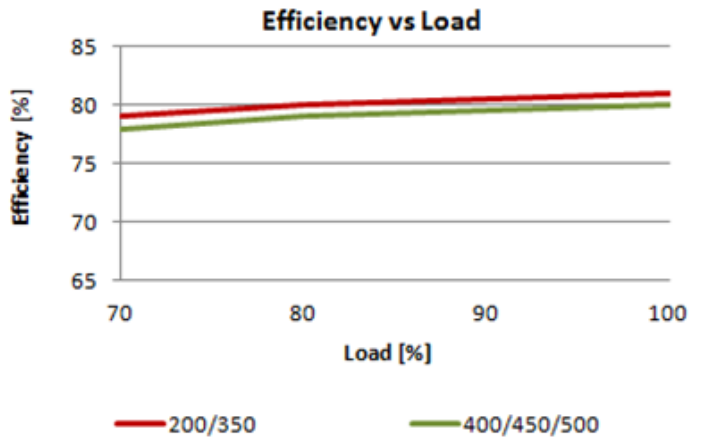
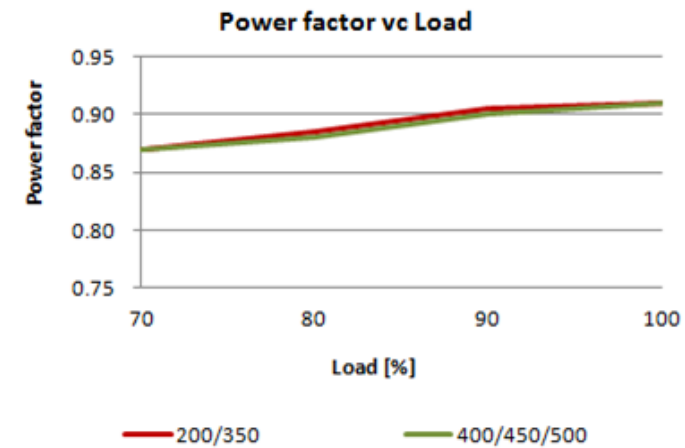
| Sec Connection | + | - |
|----------------|-------|-------|
| Color | Red | Black |
| Wire type | 1332 | 1332 |
| Wire diameter | AWG22 | AWG22 |
| Wire length | 138mm | 136mm |
| Strip length | 6mm | 6mm |
| tolerance | ±5mm | ±5mm |

| Control Input 1-10V | + | - |
|---------------------|--------|-------|
| Color | Purple | Gray |
| Wire type | 1332 | 1332 |
| Wire diameter | AWG22 | AWG22 |
| Wire length | 103mm | 103mm |
| Stripping | 10mm | 10mm |
| tolerance | ±5mm | ±5mm |

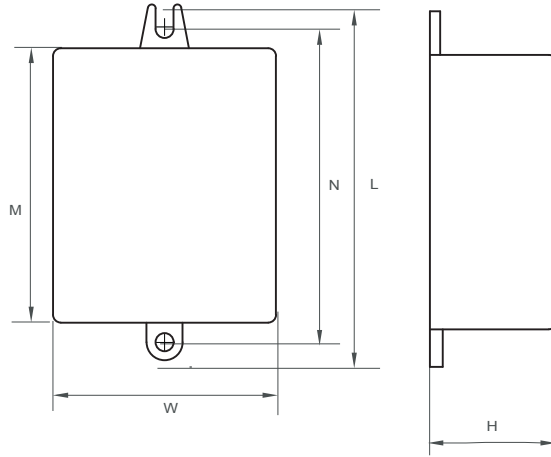
Subject to change without notice, HEP guarantees all products perform functionally well

* If not mentioned, all the test conditions are based on full load at 230VAC input (for 220-240 VAC input).

Electrical Values



**Physical
Parameter**

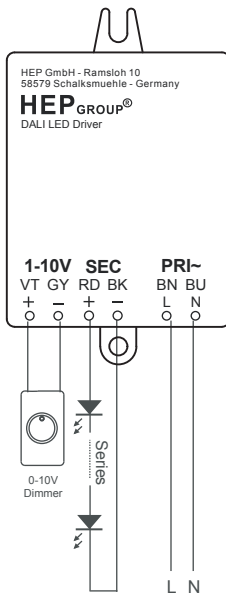


L : 69.3 mm W: 43.5 mm
M : 53.5 mm H : 24.6 mm
N : 61 mm

Tolerance : +/-1 mm , R : +/-0.5 mm

Housing Material : Polycarbonate
Soldering : Lead-Free, Comply With RoHS
Label : Surface Print

Wiring Diagram



Remark :
Before switching on the supply voltage all LEDs must be completely wired and connected, and be sure all wire connection complying with instruction of wiring diagram.