



### Approval Marks



GMA-510118-EA



Item	Value	Remark
Nominal voltage	220-240V	
Nominal frequency	50-60Hz	
AC voltage range	198-264V	
DC voltage range (start)	N/A	
DC voltage range (operation)	280-370V	
Nominal current	240mA	
Total Harmonic Distortion (THD)	< 10%	Full load @230VAC
Power factor	0.98	Full load @230VAC
Displacement factor	0.98	Full load @230VAC
Efficiency	88%(Typ.)	Full load @230VAC
No-load power	NA	
Stand-by power	< 0.3W	
Networked standby power	< 0.3W	
Protection class	II	Suitable for class II luminaires
Inrush current	19 A / 20 us	
Earth leakage current	NA	
<b>Input</b>		
Nominal voltage range		
350...800mA	10-54 Vdc	
900mA	10-50 Vdc	
1000mA	10-45 Vdc	
1050mA	10-43 Vdc	
Maximum voltage	60 Vdc	
<b>Output</b>		
Nominal current range	350-1050mA	
Current accuracy	± 5%	Full load @ 230Vac
Typical output LF current ripple	± 3%	Low Frequency< 120Hz Full load @230VAC
Starting time	< 0.5 S	Full load @230VAC
SVM	≤ 0.4	Full load @ 230Vac
PstLM	≤ 1	Full load @ 230Vac
Nominal power range	3.5-45W	
Maximum power	45W	

	Item	Value	Remark	
<b>Dimming</b>	Dimming control	DALI	Touch-Dim	
	Dimming range	0.1-100%	5-100%	
	Lowest dimming current	0.05-0.2%	3.8-7.4%	@ Vo=35Vdc
	Dimming technique	Hybrid Dimming		O/P current ≥ 100 mA operated @ Amplitude mode O/P current < 100 mA operated @ PWM mode
	PWM frequency	1kHz		
	Galvanic isolation	Basic insulated to PRI and double insulated to SEC		
<b>Environment</b>	Ambient temperature range t <sub>a</sub>	-20°C - +50°C		
	Maximum case temperature t <sub>c</sub>	80°C		
	Max. case temp. in fault condition	110°C	When operating under fault conditions, the temperature of the enclosure at any location should not exceed 110 °C	
	Storage temperature range	-40°C - +85°C		
	Relative humidity	10% - 95%		
	Surge transient protection	1 kV, 2kV	L/N , L-FE/N-FE	
	Environmental rating	Indoor		
	IP rating	IP20		
	Mains switching cycles	>100,000		
	Expected lifetime	> 50,000 h, t <sub>c</sub> 80 °C @ t <sub>a</sub> 50 °C > 100,000 h, t <sub>c</sub> 70 °C @ t <sub>a</sub> 40 °C	0.2 % / 1,000 h failure rate 0.1 % / 1,000 h failure rate	
<b>Packing</b>	Gross weight/box	9.2 kg		
	Net weight/box	7.9 kg		
	Pcs/box	36 PCS		
	Dimension/box	385(L)*310(W)*260(H)mm		
<b>Protections</b>	Short- circuit protection	Auto recovery		
	Open- circuit protection	Auto recovery		
	Overload protection	Auto recovery		
<b>Conformity &amp; Standards</b>	Safety standard:	EN 61347-1, EN 61347-2-13, EN 62493		
	Performance:	EN 62384		
	SAA standard:	AS/NZS 61347.1, AS/NZS IEC 61347.2.13		
	EMC standard:	EN 55015, EN 61000-3-2, EN 61000-3-3, EN 61547		
	DALI protocol standard:	EN 62386-101, EN 62386-102, EN 62386-207		
<b>Cable information</b>	<b>PRI Connection</b>			
	Cable cross-section	0.5-2.5 □/AWG 20-14		
	Stripping	9mm		
	<b>SEC Connection</b>			
	Cable cross-section	0.5-1.5 □/AWG 20-16		
	Stripping	9mm		
	<b>DALI Connection</b>			
	Cable cross-section	0.5-2.5 □/AWG 20-14		
	Stripping	9mm		
<b>Terminal</b>	<b>PRI</b> -Push button			
	<b>SEC</b> -Push button/Angled Entry			
	<b>DALI</b> -Push button			

\* If not mentioned, all the test conditions are based on full load at 230VAC input (for 220-240 VAC input).

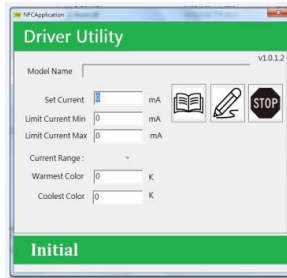
\*Subject to change without notice, HEP guarantees all products perform functionally well\*

**Current adjustable**

**NFC Reader (optional)**

Feature:

Easily on-line read a output current from a driver or write a new current data to a driver throughout HEP NFC reader within few seconds.



**APP NFC**

Feature:

Quickly check output current of a LED driver simply via Android smart phone, as well as, correct or setup a new current data immediately with no extra equipment at any job site.

**ICON**



**Main**



**QR Code**

Google play



APK

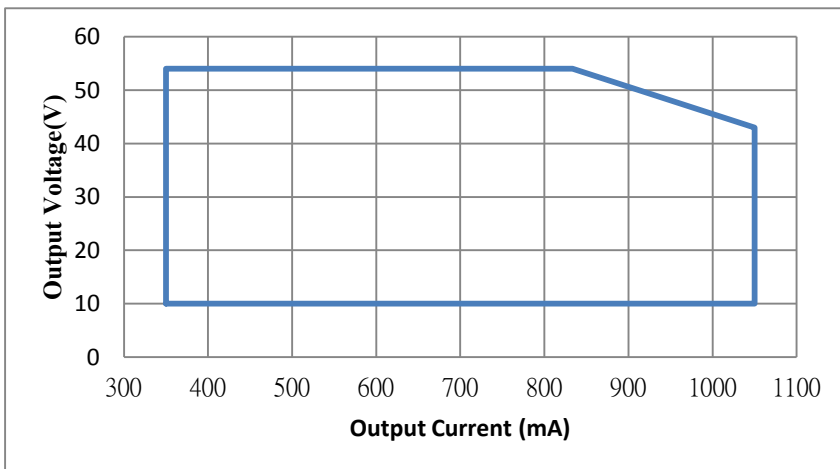


Android 4.2 Up

Smart phone with a NFC function

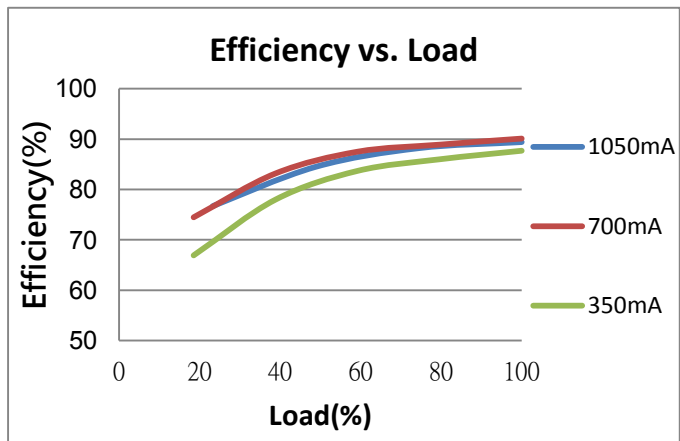
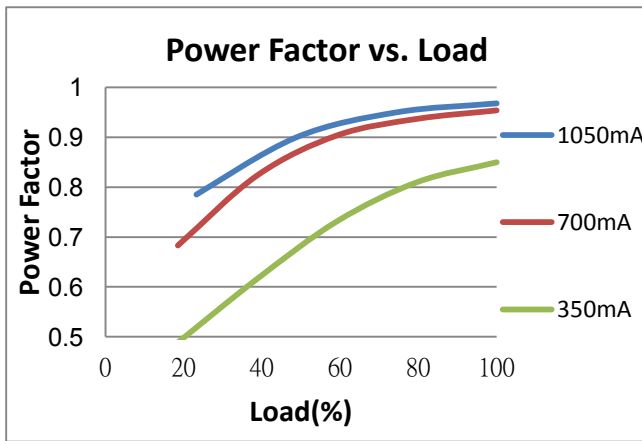
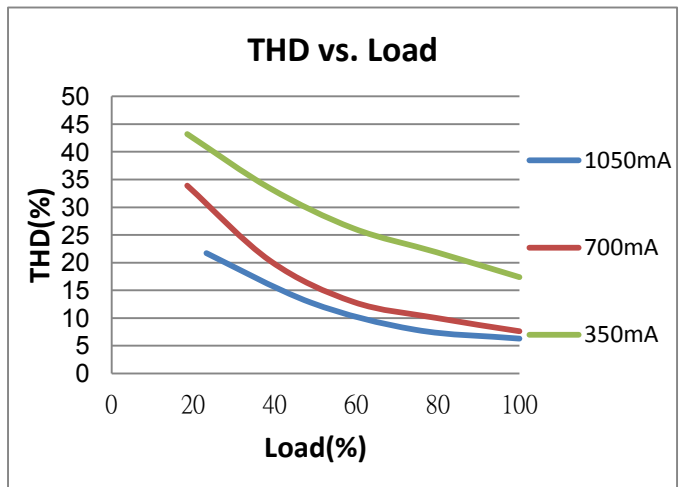
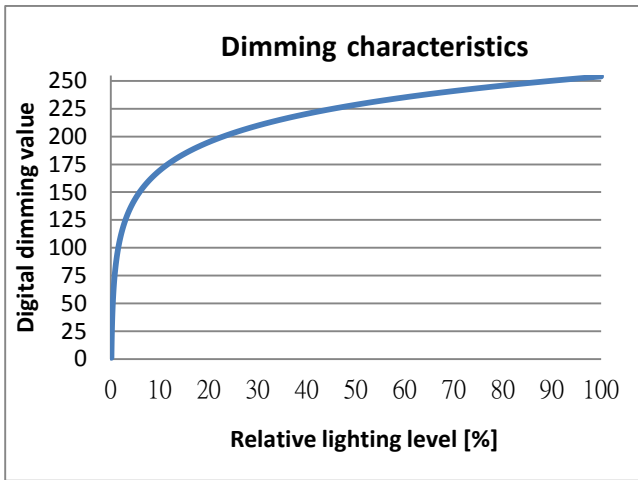
**Electrical Values**

Output Power Range

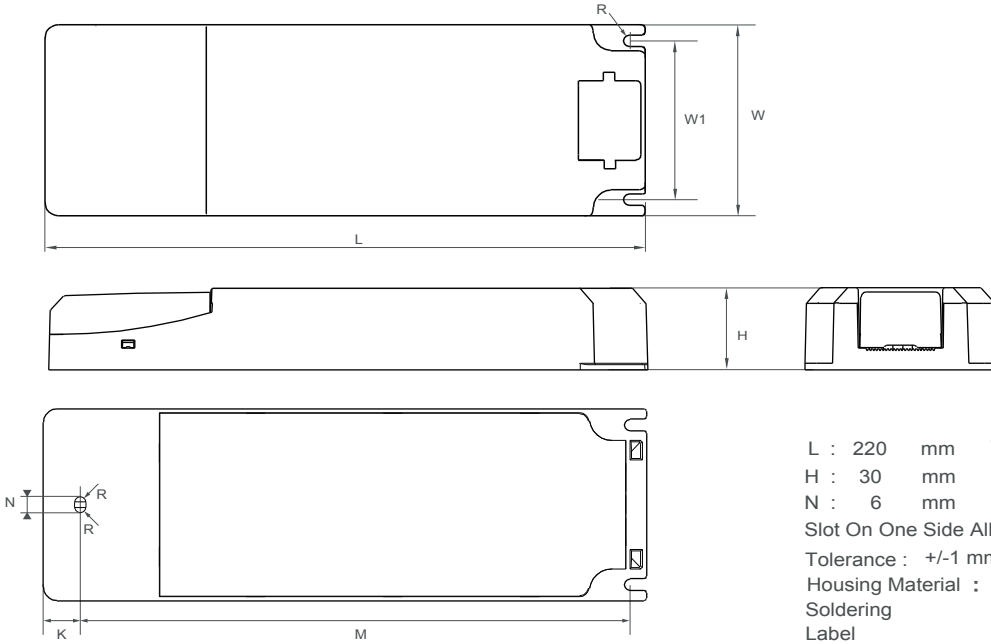


Output Current (mA)	Output Voltage Range (V)	Output Power Range (W)
1050	10-43	10.5-45.0
1000	10-45	10.0-45.0
900	10-50	9.0-45.0
800	10-54	8.0-43.2
700	10-54	7.0-37.8
600	10-54	6.0-32.4
500	10-54	5.0-27.0
450	10-54	4.5-24.3
350	10-54	3.5-18.9

\* Upon client's special demand, customized current range in between 350 mA and 1050 mA could be specified as factory default from shipment. This default current range available revised again via NFC reader program at client's site, if necessary.

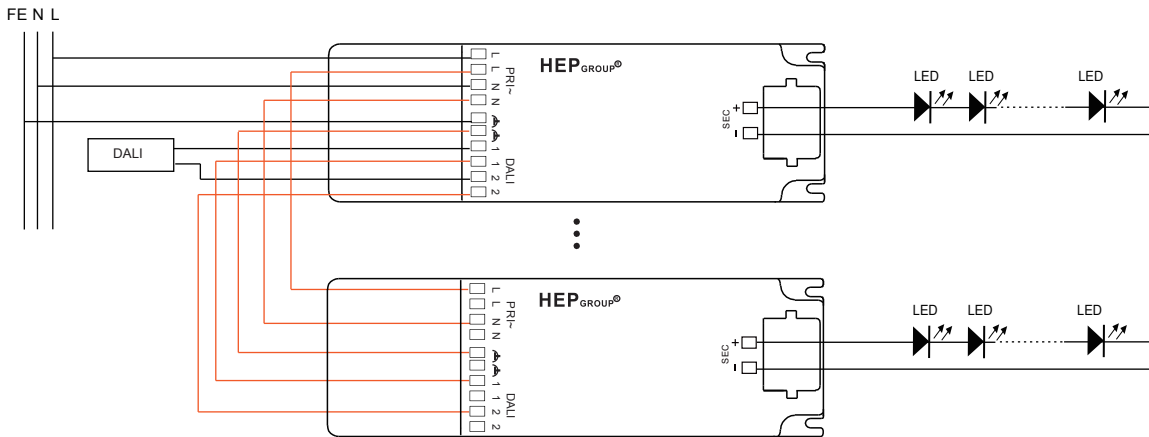


**Physical Parameter**

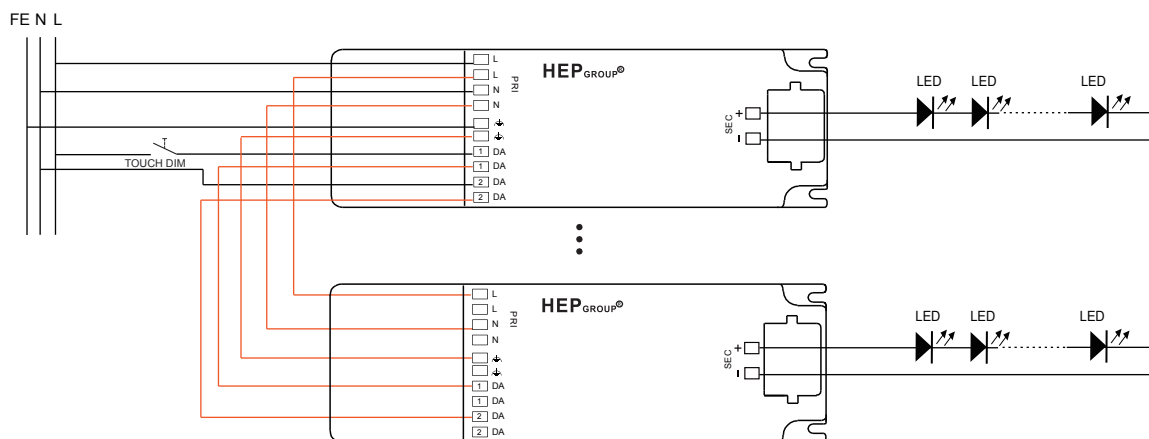


L : 220 mm    W : 70 mm    W1 : 58.2 mm  
 H : 30 mm    R : 2.1 mm    M : 200.5 mm  
 N : 6 mm    K : 13.5 mm  
 Slot On One Side Allowing Alignment : M+/-3 mm  
 Tolerance : +/-1 mm , R : +/-0.5 mm  
 Housing Material : Polycarbonate  
 Soldering : Lead - Free, Comply With RoHS  
 Label : Surface Print

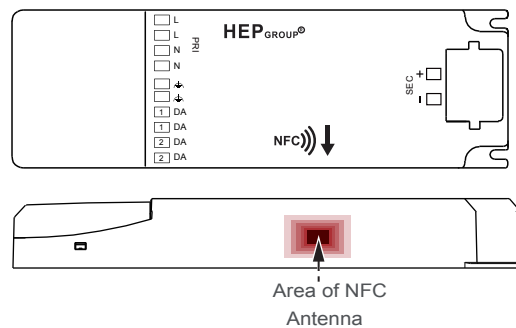
**Wiring Diagram**  
**DALI system**



**TOUCH DIM**



**NFC Antenna Location**





Approval Marks



GMA-510118-EA



	Item	Value	Remark
Input	Nominal voltage	220-240V	
	Nominal frequency	50-60Hz	
	AC voltage range	198-264V	
	DC voltage range (start)	N/A	
	DC voltage range (operation)	280-370V	
	Nominal current	240mA	
	Total Harmonic Distortion (THD)	< 10%	Full load @230VAC
	Power factor	0.98	Full load @230VAC
	Displacement factor	0.98	Full load @230VAC
	Efficiency	88%(Typ.)	Full load @230VAC
	No-load power	NA	
	Stand-by power	< 0.3W	
	Networked standby power	< 0.3W	
	Protection class	II	Suitable for class II luminaires
	Inrush current	19 A / 20 us	
	Earth leakage current	NA	
Output	Nominal voltage range		
	350...800mA	10-54 Vdc	
	900mA	10-50 Vdc	
	1000mA	10-45 Vdc	
	1050mA	10-43 Vdc	
	Maximum voltage	60 Vdc	
	Nominal current range	350-1050mA	
	Current accuracy	± 5%	Full load @ 230Vac
	Typical output LF current ripple	± 3%	Low Frequency< 120Hz Full load @230VAC
	Starting time	< 0.5 S	Full load @230VAC
	SVM	≤ 0.4	Full load @ 230Vac
	PstLM	≤ 1	Full load @ 230Vac
	Nominal power range	3.5-45W	
Maximum power	45W		