



Approval Marks



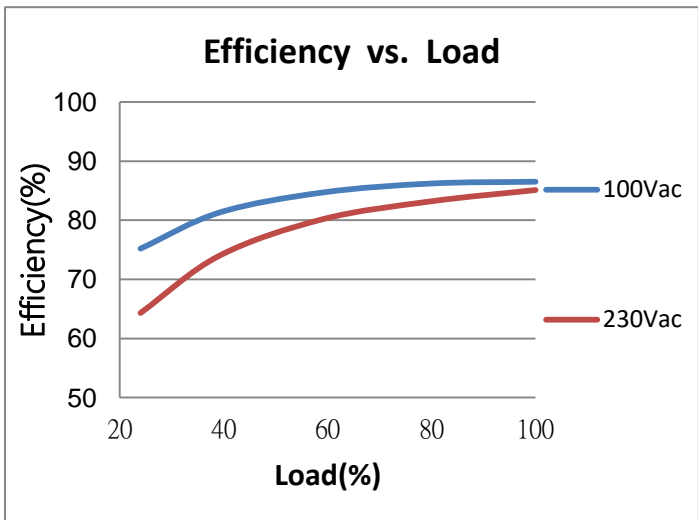
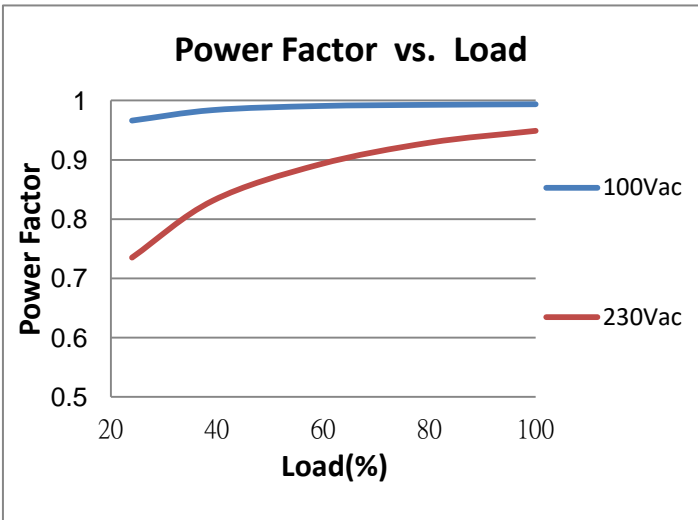
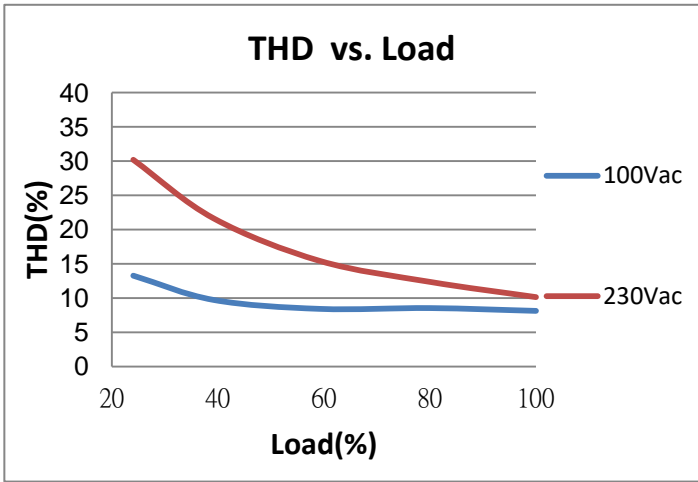
Item	Value	Remark
Nominal voltage	100-240V	
Nominal frequency	50–60Hz	
AC voltage range	90-264V	
DC voltage range (start)	NA	
DC voltage range (operation)	NA	
Nominal current	75mA	
Total Harmonic Distortion (THD)	< 15%	Full load @100VAC / 230VAC
Power factor	0.25-0.9C	Full load @230VAC
Displacement factor	0.25-0.9C	Full load @230VAC
Efficiency	82% (Typ.)	Full load @230VAC
No-load power	NA	
Stand-by power	NA	
Protection class	II	Suitable for class II luminaires
Inrush current	9 A / 30 μ s	
Max.units per circuit breaker	Type B , 10A MCB	53
	Type B , 16A MCB	85
	Type C , 10A MCB	67
	Type C , 16A MCB	107
Earth leakage current	NA	
Nominal voltage range	48Vdc	
Maximum voltage	51Vdc	
Voltage accuracy	\pm 5%	Full load @230VAC
Output LF voltage ripple	\pm 3%	(<120Hz)
Starting time	< 0.8 S	Full load @100VAC
Nominal current range	0-125mA	
Nominal power range	0-6W	
Maximum current	125mA	
Maximum power	6W	
Start-up Delay	< 0.5S	Full load @230VAC

	Item	Value	Remark
Dimming	Dimming control	NA	
	Dimming range	NA	
	Lowest dimming current	NA	
	Dimming technique	NA	
	PWM frequency	NA	
	Galvanic isolation	NA	
Environment	Ambient temperature range t_a	-20°C - +50°C	
	Maximum case temperature t_c	70°C	
	Max. case temp. in fault condition	110°C	When operating under fault conditions, the temperature of the enclosure at any location should not exceed 110 °C
	Storage temperature range	-25°C - +85°C	
	Relative humidity	10% - 85%	
	Surge transient protection	1kV	L/N
	Environmental rating	Indoor	
	IP rating	IP20	
	Mains switching cycles	> 100,000	
	Expected lifetime	> 50,000 h, t_c 70 °C @ t_a 50 °C > 100000 h, t_c 60 °C @ t_a 40 °C	0.2 % / 1,000 h failure rate 0.1 % / 1,000 h failure rate
Packing	Gross weight/Carton	6.4 kg	
	Net weight/Carton	5.4 kg	
	Pcs/Carton	144 pcs	
	Dimension/Carton	385(L)*310(W)*260(H)mm	
Protections			
	Short-circuit Protection	Auto recovery	
	Open-circuit Protection	Auto recovery	
	Overload Protection	Auto recovery	
Conformity & Standards			
	Safety:	EN 61347-1, EN 61347-2-13, EN 62493	
	Performance:	EN 62384	
	EMC standard:	EN 55015, EN 61000-3-2, EN 61000-3-3, EN 61547	
	SAA standard	AS/NZS 61347.1, AS 61347.2.13	
Cable information			
PRI			
	Cable cross-section	0.75-1.5□/AWG 18-16	
	Stripping	6mm	
	Pull test cable type	H03VV(H2)-F 2x0,75-1,0 m ^{III} , H05VV(H2)-F 2x0,75 m ^{III}	
SEC			
	Cable cross-section	0.75-1.5□/AWG 18-16	
	Stripping	6mm	
Terminal information			
PRI-Screw type			
SEC-Screw type			

* If not mentioned, all the test conditions are based on full load at 100/230VAC input (for 100-240 VAC input).

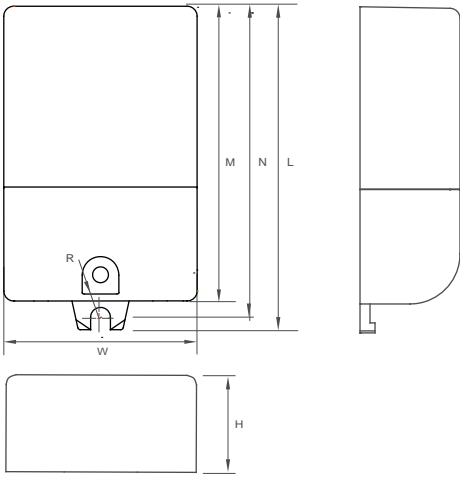
Subject to change without notice, HEP guarantees all products perform functionally well

Electrical Values



Physical

Parameter



L : 65 mm H : 20 mm
M : 59.2 mm R : 2 mm
N : 62.5 mm W : 39 mm

Tolerance : +/-1 mm , R : +/-0.5 mm

Slot On One Side Allowing Alignment : M+/-3 mm

Housing Material : Polycarbonate

Soldering : Lead-Free, Comply With RoHS

Label : Surface Print

Wiring Diagram

