



### Approval Marks



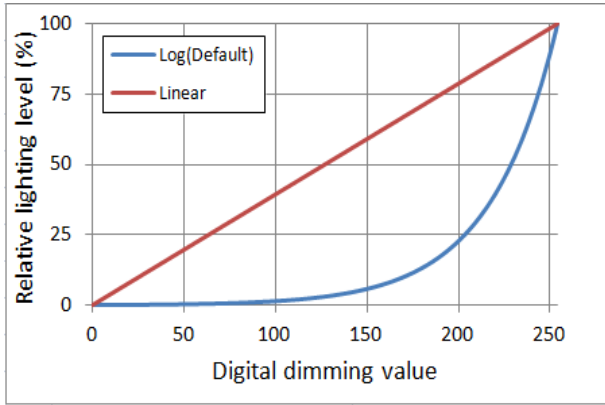
Item	Value	Remark
Nominal voltage	220 - 240 V	
Nominal frequency	50 - 60 Hz	
AC voltage range	198 - 264 V	
DC voltage range (start)	NA	
DC voltage range (operation)	176 - 276 V	Fixed output light at 15%
Nominal current	310 mA	Full load @230VAC
Total Harmonic Distortion (THD)	< 12 %	Full load @230VAC
Power factor	0.95	Full load @230VAC
Displacement factor	0.95	Full load @230VAC
Efficiency	87 % (Typ.)	Full load @230VAC
No-load power	NA	
Stand-by power	< 0.5 W	
Networked standby power	< 0.5 W	
Protection class	II	Suitable for class II luminaires
Inrush current	30 A / 250 us	Full load @230VAC
Max.units per circuit breaker	Type B , 10A MCB	13
	Type B , 16A MCB	21
	Type C , 10A MCB	16
	Type C , 16A MCB	26
Earth leakage current	NA	
Nominal voltage	24 Vdc	
Maximum voltage	25 Vdc	
Voltage accuracy	± 2.5 %	Full load @230VAC
Output LF voltage ripple	± 3 %	(<120Hz)
SVM	≪ 0.4	Full load @230VAC
PsLM	≪ 1	Full load @230VAC
Starting time	< 0.5 S	Full load @230VAC
Nominal power range	5 - 60 W	
Maximum current	2500 mA	
Maximum power	60 W	
Color tuning range	2000 - 10000 K	Adjusted via NFC program Factory default 2000-10000K
Dimming control	DALI	Touch-Dim
Dimming range	1-100%	10-100%
Lowest dimming current	NA	
Dimming technique	PWM	
PWM frequency	2K HZ	
Galvanic isolation	Basic insulated to PRI and double insulated to SEC	
Ambient temperature range t <sub>a</sub>	- 20 °C - + 45 °C	
Maximum case temperature t <sub>c</sub>	90 °C	
Max. case temp. in fault condition	110 °C	When operating under fault conditions, the temperature of the enclosure at any location should not exceed 110 °C
Storage temperature range	- 40 °C - + 85 °C	
Relative humidity	10 % - 95 %	
Surge transient protection	1kV	L/N

Item	Value		Remark	
<b>Environment</b>	Environmental rating		Indoor	
	IP rating		IP20	
	Mains switching cycles		> 100,000	
	Expected lifetime	> 50,000 h, tc	90 °C @ ta 45 °C	0.2 % / 1,000 h failure rate
		> 100,000 h, tc	80 °C @ ta 35 °C	0.1 % / 1,000 h failure rate
<b>Packing</b>	Gross weight/box		16.8 kg	
	Net weight/box		15.6 kg	
	Pcs/box		48 PCS	
	Dimension/box	490 (L) * 270 (W) * 225 (H)	mm	
<b>Protections</b>				
Short-circuit Protection		Auto recovery		
Open-circuit Protection		Auto recovery		
Overload Protection		Auto recovery		
OTP	110 °C - 130 °C		Tc , Latch output 1/8 power when The Tc trigger , input power off to reset.	
<b>Conformity &amp; Standards</b>				
Safety standard:	EN 61347-1, EN 61347-2-13, EN 62493			
Performance:	EN 62384			
EMC standard:	EN 55015, EN 61000-3-2, EN 61000-3-3, EN 61547			
DALI protocol standard:	EN 62386-101, EN 62386-102, EN 62386-207,EN 62386-209			
<b>PRI Connection</b>				
<b>Cable information</b>	Cable cross-section	0.75 - 2.5 □ / AWG 18 - 14		
	Stripping	9 mm		
	Pull test cable type	H03VV(H2)-F 2x0,75-1,5 mm <sup>2</sup> ,H05VV(H2)-F 2x0,75-1,5 mm <sup>2</sup>		
<b>SEC Connection</b>				
<b>Cable information</b>	Cable cross-section	0.75 - 2.5 □ / AWG 18 - 14		
	Stripping	9 mm		
<b>DALI Connection</b>				
<b>Cable information</b>	Cable cross-section	0.75 - 2.5 □ / AWG 18 - 14		
	Stripping	9 mm		
<b>Terminal</b>	<b>PRI-</b>	Push button		
	<b>SEC-</b>	Push button		
	<b>DALI-</b>	Push button		

\*Subject to change without notice, HEP guarantees all products perform functionally well\*

\* If not mentioned, all the test conditions are based on full load at 230VAC input (for 220-240 VAC input).

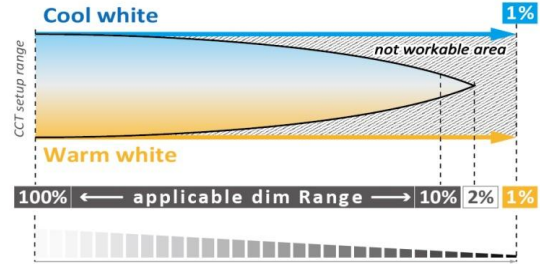
**Dimming Curve**



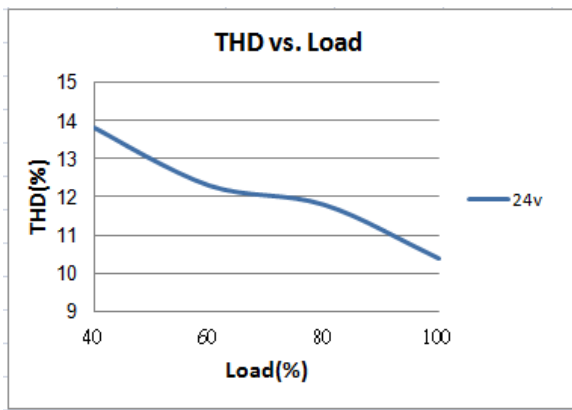
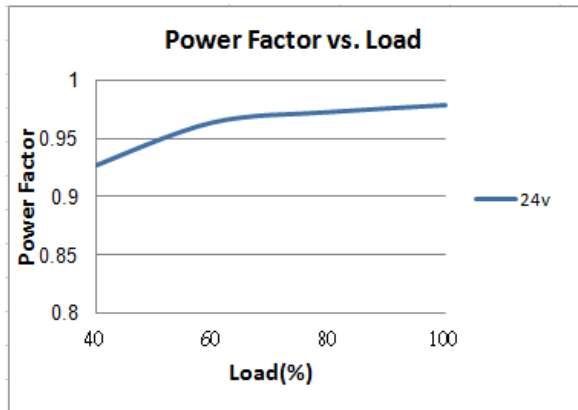
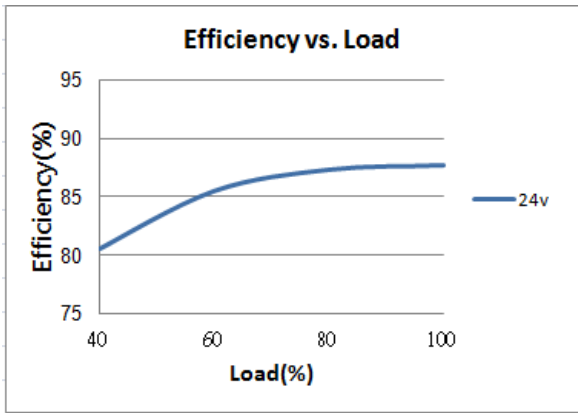
**DALI Curve**

**DALI-2 DT8 Control**

Dimming up/down and CCT tuning are performed independently via DALI-2 DT8 dimmer.

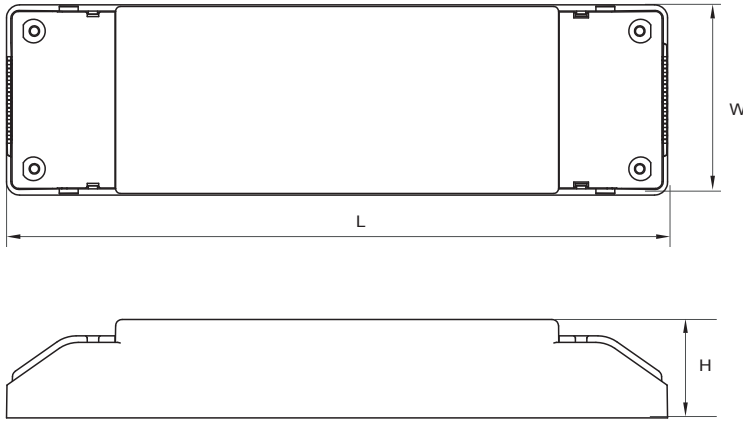


**Electrical Values**



## Physical

### Parameter



L : 201.6 mm    W: 58 mm    H : 30 mm

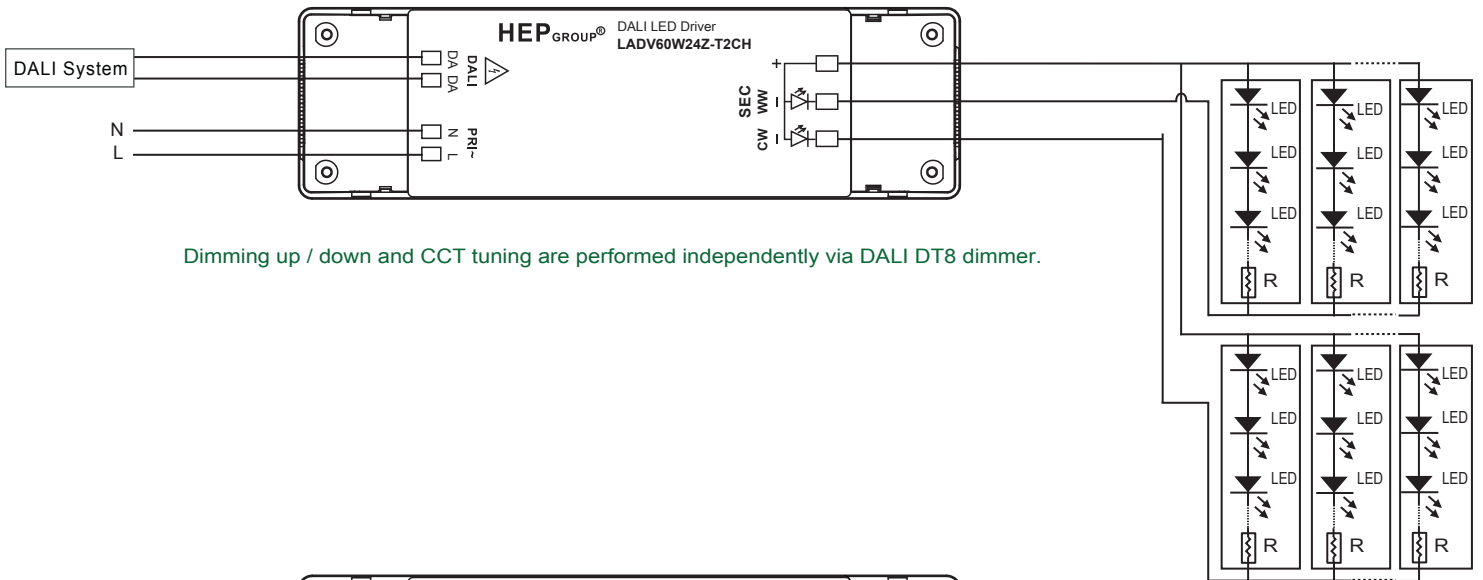
Slot On One Side Allowing Alignment : M+/-3 mm

Housing Material : Polycarbonate

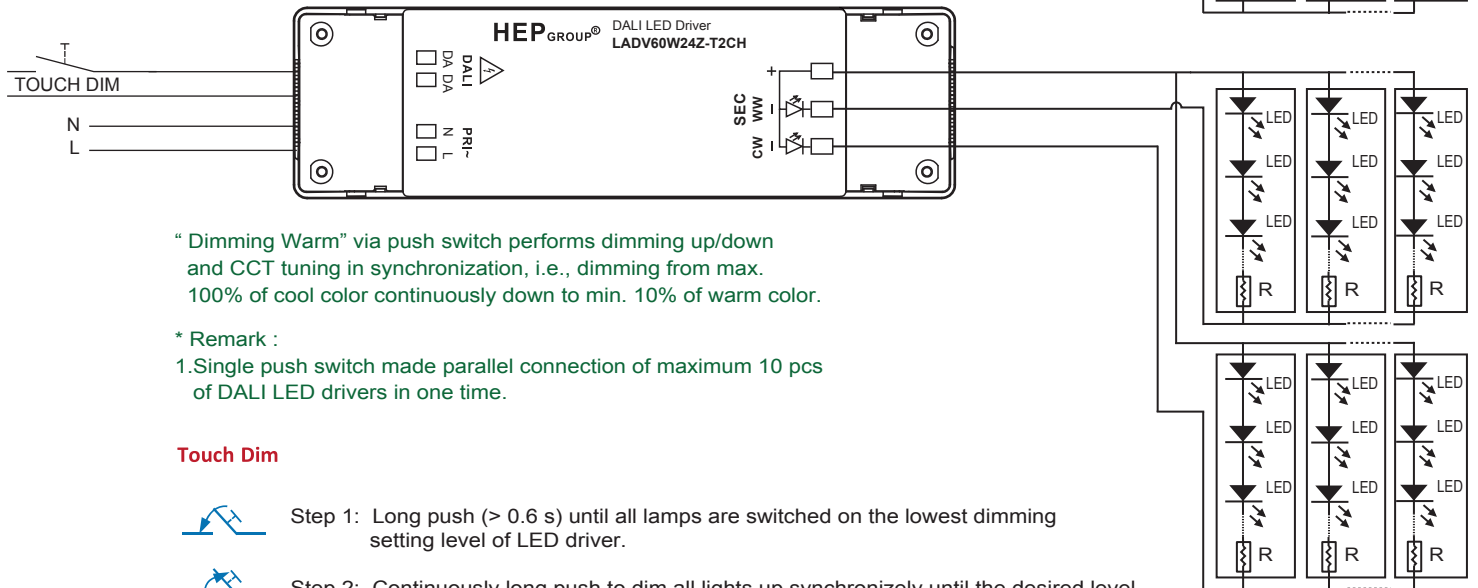
Soldering : Lead-Free, Comply With RoHS

Label : Surface Print

## WiringDiagram



Dimming up / down and CCT tuning are performed independently via DALI DT8 dimmer.



“ Dimming Warm” via push switch performs dimming up/down and CCT tuning in synchronization, i.e., dimming from max. 100% of cool color continuously down to min. 10% of warm color.

\* Remark :

1. Single push switch made parallel connection of maximum 10 pcs of DALI LED drivers in one time.

### Touch Dim



Step 1: Long push (> 0.6 s) until all lamps are switched on the lowest dimming setting level of LED driver.



Step 2: Continuously long push to dim all lights up synchronizely until the desired level, then release push bottom to stop at present light level.



Step 3: Or make long push again for dimming all lights down synchronizely to the desired level, then stop pushing bottom.



Step 4: Short push (< 0.6 s) to make all lamps are switched off.



Step 5: Short push (< 0.6 s) - Push to turn ON/OFF all lamps at the latest setting light level.

Remark: Maximum 10m of cable length from LED driver connecting to light source for DALI/Touch Dim  
Maximum cable length of Touch Dim from push switch to LED drivers is 20m.  
Single push switch makes parallel connection of max. 10 pieces of LED drivers in one time.