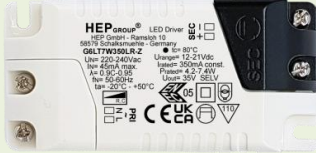


Approval Marks



Item	Value	Remark	
Nominal voltage	220–240V		
Nominal frequency	50–60Hz		
AC voltage range	198–264V		
DC voltage range (start)	N/A		
DC voltage range (operation)	N/A		
Nominal current	45mA	Full load @230VAC	
Total Harmonic Distortion (THD)	< 21%	Full load @230VAC	
Power factor	0.9C-0.95	Full load @230VAC	
Displacement factor	0.9C-0.95	Full load @230VAC	
Efficiency			
Input	G6LT7W150LR-Z	76%(Typ.)	Full load @230VAC
	G6LT7W350LR-Z	75%(Typ.)	Full load @230VAC
	G6LT7W500LR-Z	72%(Typ.)	Full load @230VAC
	G6LT7W700LR-Z	70%(Typ.)	Full load @230VAC
No-load power	NA		
Stand-by power	NA		
Protection class	II	Suitable for II luminaires	
Inrush current	1A / 60us		
Max.units per circuit breaker	Type B , 10A MCB	89	
	Type B , 16A MCB	142	
	Type C , 10A MCB	111	
	Type C , 16A MCB	178	
Earth leakage current	NA		
Output	Nominal voltage range		
	G6LT7W150LR-Z	30-42 Vdc	
	G6LT7W350LR-Z	12-21Vdc	
	G6LT7W500LR-Z	9-14 Vdc	
	G6LT7W700LR-Z	6-10 Vdc	

	Item	Value	Remark
	Maximum voltage		
	G6LT7W150LR-Z	55Vdc	
	G6LT7W350LR-Z	35Vdc	
	G6LT7W500LR-Z	25Vdc	
	G6LT7W700LR-Z	18Vdc	
	Nominal current range		Full load @230VAC
	G6LT7W150LR-Z	150mA	
	G6LT7W350LR-Z	350mA	
	G6LT7W500LR-Z	500mA	
	G6LT7W700LR-Z	700mA	
Output	Current accuracy		Full load @230VAC
	G6LT7W150LR-Z	± 10%	
	G6LT7W350/500/700LR-Z	± 5%	
	Typical output LF current ripple	± 5%	Low Frequency< 120Hz Full load @230VAC
	Starting time	< 0.5 S	Full load @230VAC
	SVM	≤ 0.4	Full load @230VAC
	P _{stLM}	≤ 1	Full load @230VAC
	Nominal power range		
	G6LT7W150LR-Z	4.5-6.3W	
	G6LT7W350LR-Z	4.2-7.4W	
	G6LT7W500LR-Z	4.5-7.0W	
	G6LT7W700LR-Z	4.2-7.0W	
	Maximum power	8W	
Dimming	Dimming control	Trailing Edge	
	Dimming technique	Amplitude	
	PWM frequency	NA	
	Dimming range	10-100%	
	Lowest dimming current	10%	
	Galvanic isolation	NA	
Environment	Ambient temperature range t _a	-20°C - +50°C	
	Maximum case temperature t _c	80°C	
	Max. case temp. in fault condition	110°C	When operating under fault conditions, the temperature of the enclosure at any location should not exceed 110 °C.
	Storage temperature range	-25°C - +85°C	
	Relative humidity	10% - 90%	
	Surge transient protection	1 kV	L/N
	Environmental rating	Indoor	
	IP rating	IP20	
	Mains switching cycles	> 100,000	
	Expected lifetime	> 50,000 h, t _c 80 °C @ t _a 50 °C > 100,000 h, t _c 70 °C @ t _a 40 °C	0.2 % / 1,000 h failure rate 0.1 % / 1,000 h failure rate
Packing	Gross weight/box	14.8 kg	
	Net weight/box	13.4 kg	
	Pcs/box	224 PCS	
	Dimension/box	385(L)*310(W)*260(H)mm	
Protections			
	Short-circuit Protection	Auto recovery	
	Open-circuit Protection	Auto recovery	
	Overload Protection	Auto recovery	

Conformity & Standards

Safety:	EN 61347-1, EN 61347-2-13, EN 62493
Performance:	EN 62384
EMC standard:	EN 55015, EN 61000-3-2, EN 61000-3-3, EN 61547

Cable information

PRI

Cable cross-section	0.75-1.5□/AWG 18-16
Stripping	6mm
Pull test cable type	H03VV(H2)-F 2x0,75-1,0 mm ²

SEC

Cable cross-section	0.5-1.5□/AWG 20-16
Stripping	6mm

Terminal information

PRI-Screw type

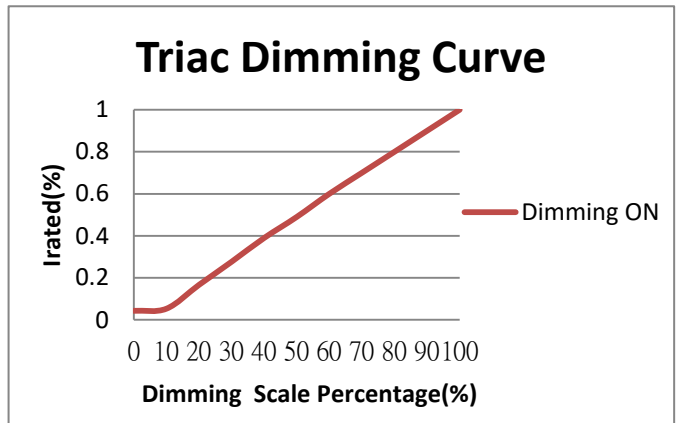
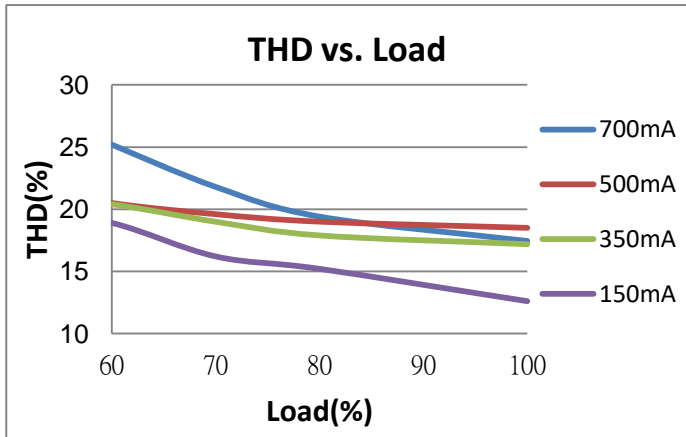
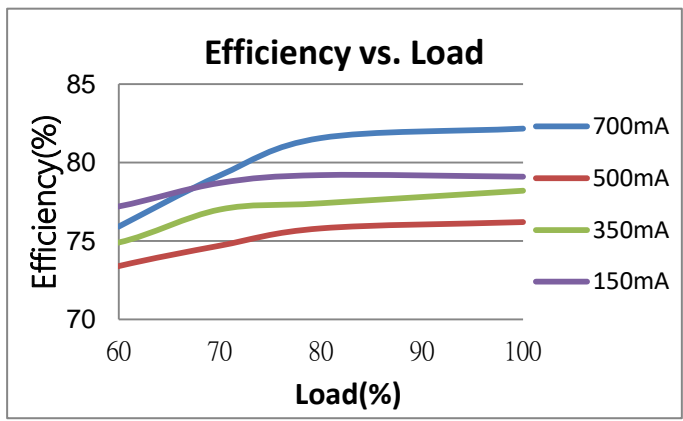
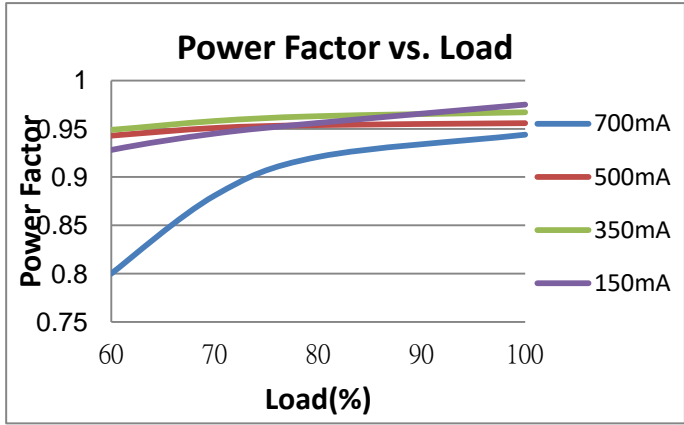
SEC-Screw type

Subject to change without notice, HEP guarantees all products perform functionally well

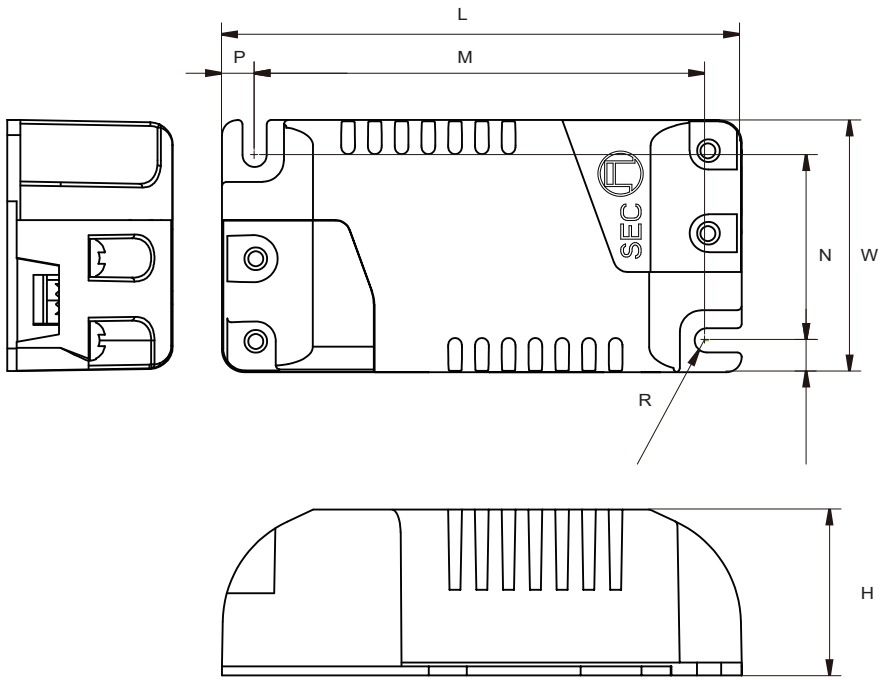
* If not mentioned, all the test conditions are based on full load at 230VAC input (for 220-240 VAC input).

Trailing Edge Dimmer list approved by HEP

Manufacturer	Model	Q'ty of parallelconnection
Philips	SED-200A	19
Merten/Schneider	SBD315RC	26
Etman	ETM327	29
Merten	SBD200LED	29
Busch	6513 U-102	29
Busch	6523 UR-103	29
Busch	6523 U-102	20
Niko	310-0190X	26
JUNG	LB-Management	29
CASAMBI	CBU-TED	11



**Physical
Parameter**



- L : 68.4 mm H: 21.8 mm
- M: 59.5 mm O: 4.2 mm
- N : 24.4 mm P : 4.3 mm
- W: 33.2 mm R : 1.6 mm
- Tolerance : $\geq 0 \sim 100 \geq \pm 1\text{mm}$
- Terminal Block : Screw Type
- Housing Material : Polycarbonate
- Soldering : Lead-Free, Comply With RoHS
- Label : Surface Print
- Cable Cross Section : $0.75\text{-}1.5\text{mm}^2$ / AWG 18-16
- Stripping : 6mm

Wiring Diagram

