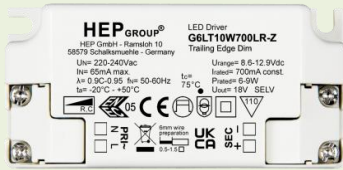


Approval Marks



Item	Value	Remark
Nominal voltage	220–240V	
Nominal frequency	50–60Hz	
AC voltage range	198–264V	
DC voltage range (start)	NA	
DC voltage range (operation)	NA	
Nominal current	65mA	
Total Harmonic Distortion (THD)	< 20%	Full load @230VAC
Power factor	0.9C-0.95	Full load @230VAC
Displacement factor	0.9C-0.95	Full load @230VAC
Input Efficiency		
G6LT10W200/250/350/500LR-Z	80%(Typ.)	Full load @230VAC
G6LT10W700LR-Z	77%(Typ.)	Full load @230VAC
No-load power	NA	
Stand-by power	NA	
Protection class	II	Suitable for class II luminaires test with analog luminaires
Inrush current	3A / 15us	
Max.units per circuit breaker	Type B , 10A MCB	62
	Type B , 16A MCB	98
	Type C , 10A MCB	77
	Type C , 16A MCB	123
Earth leakage current	NA	
Output	Nominal voltage range	
	G6LT10W200LR-Z	30-42Vdc
	G6LT10W250LR-Z	30-42Vdc
	G6LT10W350LR-Z	13-26Vdc
	G6LT10W500LR-Z	12-20Vdc
	G6LT10W700LR-Z	8.6-12.9Vdc
	Maximum voltage	
	G6LT10W200LR-Z	55Vdc
	G6LT10W250LR-Z	55Vdc
	G6LT10W350LR-Z	35Vdc
G6LT10W500LR-Z	28Vdc	
G6LT10W700LR-Z	18Vdc	

	Item	Value	Remark
Output	Nominal current range		
	G6LT10W200LR-Z	200mA	
	G6LT10W250LR-Z	250mA	
	G6LT10W350LR-Z	350mA	
	G6LT10W500LR-Z	500mA	
	G6LT10W700LR-Z	700mA	
	Current accuracy	± 5%	Full load @230VAC
	Typical output LF current ripple	± 5%	Low Frequency< 120Hz Full load @230VAC
	Starting time	< 0.5S	Full load @230VAC
	SVM	≤ 0.4	Full load @230VAC
	P _{stLM}	≤ 1	Full load @230VAC
Dimming	Nominal power range		
	G6LT10W200LR-Z	6-8.4W	
	G6LT10W250LR-Z	7.5-10.5W	
	G6LT10W350LR-Z	4.6-9.1W	
	G6LT10W500LR-Z	6-10W	
	G6LT10W700LR-Z	6-9W	
	Maximum power	10.5W	
Dimming	Dimming control	Trailing edge	
	Dimming technique	Amplitude	
	PWM frequency	NA	
	Dimming range	10-100%	
	Lowest dimming current	2-6%	
	Galvanic isolation	NA	
Environment	Ambient temperature range t _a	-20°C - +50°C	
	Maximum case temperature t _c	75°C	
	Max. case temp. in fault condition	110°C	When operating under fault conditions, the temperature of the enclosure at any location should not exceed 110 °C
	Storage temperature range	-40°C - +85°C	
	Relative humidity	10% - 90%	
	Surge transient protection	1 kV	L/N
	Environmental rating	Indoor	
	IP rating	IP20	
	Mains switching cycles	> 100,000	
	Expected lifetime	> 50,000 h, t _c 75 °C @ t _a 50 °C > 100,000 h, t _c 65 °C @ t _a 40 °C	0.2 % / 1,000 h failure rate 0.1 % / 1,000 h failure rate
Packing	Gross weight/Carton	12.6 kg	
	Net weight/Carton	11.4 kg	
	Pcs/Carton	224 PCS	
	Dimension/Carton	385(L)*310(W)*260(H)mm	
Protections			
	Short-circuit Protection	Auto recovery	
	Open-circuit Protection	Auto recovery	
	Overload Protection	Auto recovery	
Conformity & Standards			
Safety standard:	EN 61347-1, EN 61347-2-13, EN 62493		
Performance:	EN 62384		
EMC standard:	EN 55015, EN 61000-3-2, EN 61000-3-3, EN 61547		

Cable information**PRI**

Cable cross-section	0.5-1.5□/AWG 20-16
Stripping	6mm
Pull test cable type	H03VV(H2)-F 2x0,75-1,0 mm ² ,H05VV(H2)-F 2x0,75-1,0 mm ²

SEC

Cable cross-section	0.5-1.5□/AWG 20-16
Stripping	6mm

Terminal information**PRI**-Screw type**SEC**-Screw type

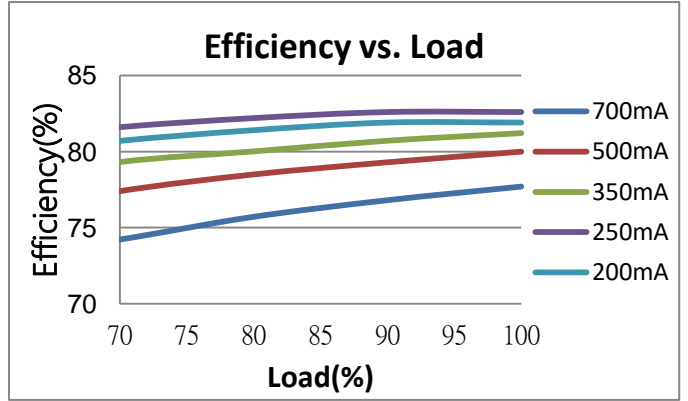
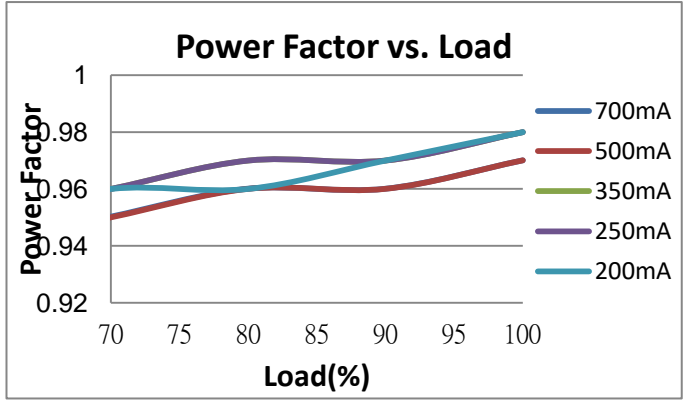
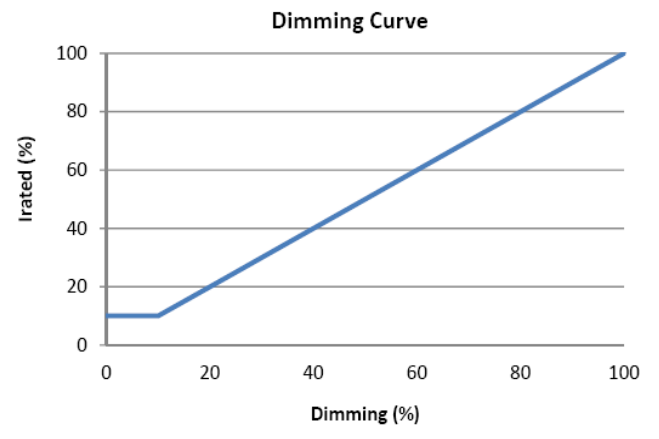
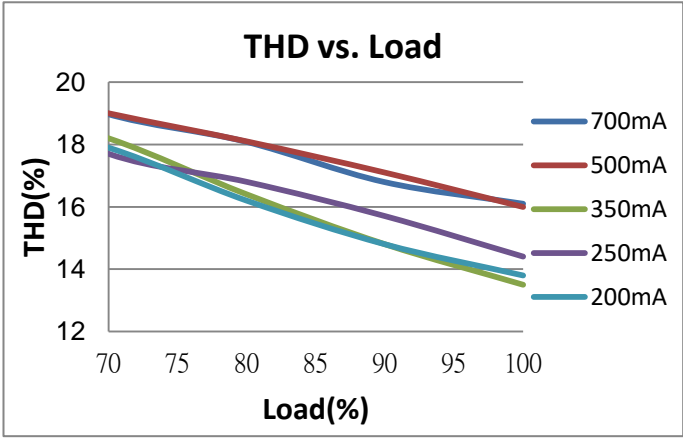
Subject to change without notice, HEP guarantees all products perform functionally well

* If not mentioned, all the test conditions are based on full load at 230VAC input (for 220-240 VAC input).

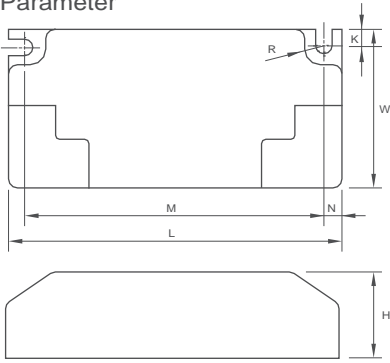
Trailing Edge Dimmer list approved by HEP

Manufacturer	Model	Q'ty of parallelconnection
Philips	SED-200A	13
Merten/Schneider	SBD315RC	18
Etman	ETM327	20
Etman	ETM329	20
Merten	SBD200LED	20
AU	P3	18
Busch	6513 U-102	20
Busch	6523 UR-103	20
Busch	6523 U-102	14
Niko	310-0190X	18
JUNG	LB-Management	20
CASAMBI	CBU-TED	8

Electrical Values



**Physical
Parameter**



L : 85 mm H : 22 mm
M : 76.4 mm K : 4.0 mm
N : 4.6 mm R : 2.1 mm
W : 40.4 mm

Tolerance : $\geq \pm 1$ mm

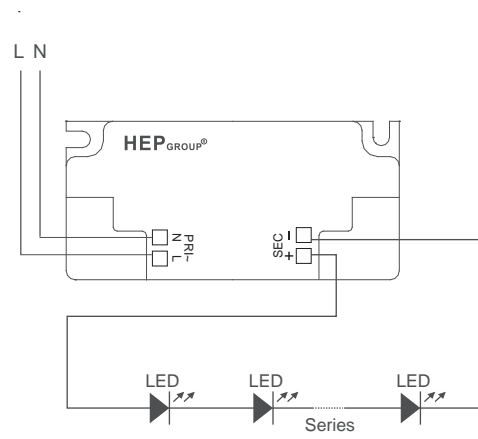
Terminal Block : PRI : Screw Type
SEC : Screw Type

Housing Material : Polycarbonate

Soldering : Lead-Free, Comply With RoHS

Label : Surface Print

Wiring Diagram



The length of wire from output to luminaire should be less than 2M