

Item	Value	Remark		
Nominal voltage	220-240V			
Nominal frequency	50–60Hz			
AC voltage range	198-264V			
DC voltage range (start)	NA			
DC voltage range (operation)	NA			
Maximum voltage	264Vac			
Nominal current				
G5S40W700LRP	170mA			
G5S40W800LRP	190mA			
G5S40W900LRP	220mA			
G5S40W1050LRP	230mA			
Input	Total Harmonic Distortion (THD)	< 15%	Full load @230VAC	
	Power factor	0.9C	Full load @230VAC	
	Displacement factor	0.9C	Full load @230VAC	
	Efficiency	89% (Typ.)	Full load @230VAC	
	No-load power	NA		
	Stand-by power	NA		
	Protection class	NA		
	Inrush current	10A / 300us		
	Max.units per circuit breaker	Type B , 10A MCB	17	
		Type B , 16A MCB	28	
Type C , 10A MCB		22		
Type C , 16A MCB		35		
Earth leakage current	NA			
Output	Nominal voltage range			
	G5S40W700/800/900LRP	30-42Vdc		
	G5S40W1050LRP	30-40Vdc		
	Maximum voltage	53Vdc		
	Nominal current range			
	G5S40W700LRP	700mA		
	G5S40W800LRP	800mA		
G5S40W900LRP	900mA			

	Item	Value	Remark
Output	G5S40W1050LRP	1050mA	
	Current accuracy	± 5%	
	Typical output LF current ripple	± 3%	Low Frequency < 120Hz Full load @230VAC
	Starting time	< 0.5 S	Full load @230VAC
	SVM	≤ 0.4	Full load @230VAC
	P _{stLM}	≤ 1	Full load @230VAC
	Nominal power range		
	G5S40W700LRP	21-29.5W	
	G5S40W800LRP	24-33.5W	
	G5S40W900LRP	27-38W	
G5S40W1050LRP	31.5-42W		
Maximum power	42W		
Dimming	Dimming control	NA	
	Dimming technique	NA	
	PWM frequency	NA	
	Dimming range	NA	
	Lowest dimming current	NA	
	Galvanic isolation	NA	
	Ambient temperature range t _a	-20°C - +50°C	
Maximum case temperature t _c	90°C		
Max. case temp. in fault condition	110°C	When operating under fault conditions, the temperature of the enclosure at any location should not exceed 110 °C	
Environment	Storage temperature range	-30°C - +85°C	
	Relative humidity	10% - 95%	
	Surge transient protection	1 kV	L/N
	Environmental rating	Indoor	
	IP rating	IP20	
	Mains switching cycles	> 100,000	
	Expected lifetime	> 50,000 h, t _c 90 °C @ t _a 50 °C > 100000 h, t _c 80 °C @ t _a 40 °C	0.2 % / 1,000 h failure rate
	Gross weight/box	8.7 kg	
Packing	Net weight/box	9.8 kg	
	Pcs/box	64 PCS	
	Dimension/box	415(L)*255(W)*240(H)mm	
Protections			
Short-circuit Protection		Auto recovery	
Open-circuit Protection		Auto recovery	
Overload Protection		Auto recovery	
Conformity & Standards			
Safety standard:		EN 61347-1, EN 61347-2-13, EN 62493	
Performance:		EN 62384	
CCC standard:		GB17625.1,GB/T17743,GB19510.1,GB19510.14	
EMC standard:		EN 55015, EN 61000-3-2, EN 61000-3-3, EN 61547	

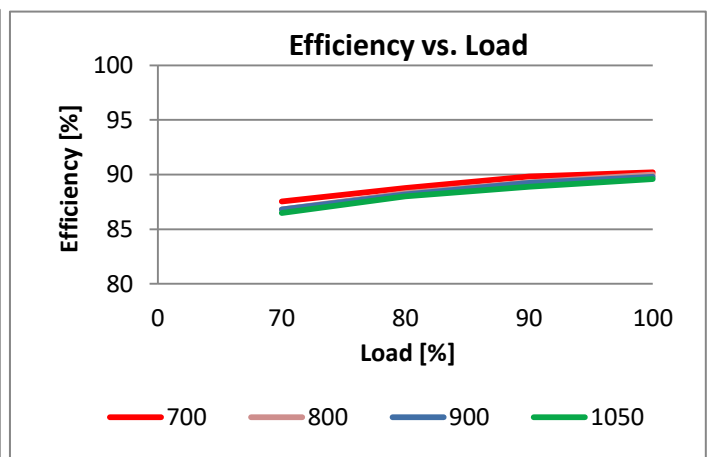
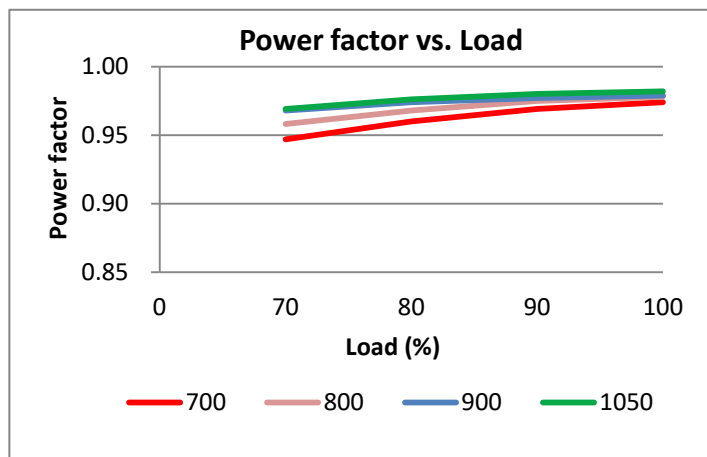
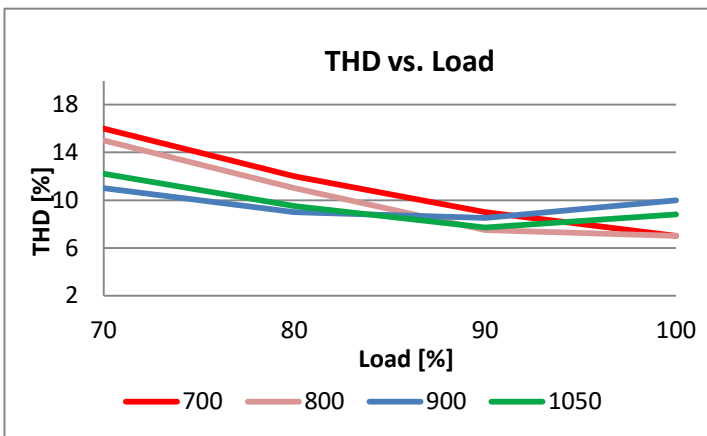
Cable information

PRI Connection	L	N
Color	Brown	Blue
Wire type	7022	7022
Wire diameter	AWG18	AWG18
Wire length	132mm	134mm
Stripping	6mm	6mm
Tolerance	±5mm	±5mm

Sec Connection	+	-
Color	Red	Black
Wire type	1332	1332
Wire diameter	AWG20	AWG20
Wire length	238mm	235mm
Stripping	5mm	5mm
Tolerance	±5mm	±5mm

Subject to change without notice, HEP guarantees all products perform functionally well

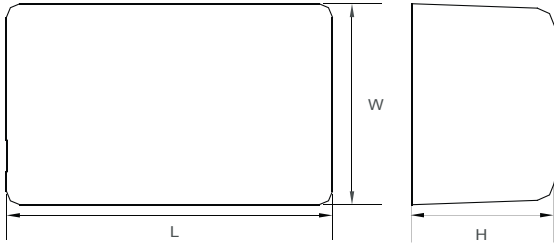
Electrical Values



Physical

Parameter

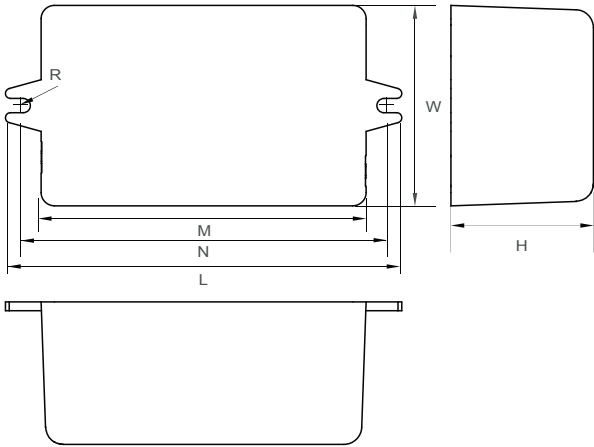
Clear type



L : 73 mm H : 32 mm
 W: 45 mm
 Tolerance : $\geq 0 \sim 100 \geq \pm 0.5\text{mm}$
 $100 \geq \pm 1\text{ mm}$

Housing Material : Polycarbonate / Potting
 Soldering : Lead-Free, Comply With RoHS
 Label : Surface Print

Screw clip type



L : 89 mm N : 81 mm H : 32 mm
 M: 73 mm W: 45 mm R : 1.6 mm
 Tolerance : $\geq 0 \sim 100 \geq \pm 0.5\text{mm}$
 $100 \geq \pm 1\text{ mm}$

Housing Material : Polycarbonate / Potting
 Soldering : Lead-Free, Comply With RoHS
 Label : Surface Print

Wiring Diagram

