

Approval Marks



Item	Value	Remark		
Nominal voltage	220–240V			
Nominal frequency	50–60Hz			
AC voltage range	198–264V			
DC voltage range (start)	NA			
DC voltage range (operation)	NA			
Maximum voltage	264Vac			
Nominal current				
G5S15W300LR-Z	75mA			
G5S15W350/500/700LR-Z	85mA			
G5S15W1050LR-Z	95mA			
Input	Total Harmonic Distortion (THD)	< 15%	Full load @230VAC	
	Power factor	0.9C	Full load @230VAC	
	Displacement factor	0.9C	Full load @230VAC	
	Efficiency	84% (Typ.)	Full load @230VAC	
	No-load power	NA		
	Stand-by power	NA		
	Protection class	II	Suitable for class II luminaires	
	Inrush current	9A / 150uS	Nominal	
	Max.units per circuit breaker	Type B , 10A MCB	42	
		Type B , 16A MCB	67	
Type C , 10A MCB		53		
Type C , 16A MCB		84		
Earth leakage current	NA			
Output	Nominal voltage range			
	G5S15W300LR-Z	26-42 Vdc	Full load @230VAC	
	G5S15W350LR-Z	26-42 Vdc	Full load @230VAC	
	G5S15W500LR-Z	18-30 Vdc	Full load @230VAC	
	G5S15W700LR-Z	13-21 Vdc	Full load @230VAC	
	G5S15W1050LR-Z	9-15 Vdc	Full load @230VAC	

	Item	Value	Remark
	Maximum voltage		
	G5S15W300/350LR-Z	53Vdc	
	G5S15W500LR-Z	42Vdc	
	G5S15W700LR-Z	32Vdc	
	G5S15W1050LR-Z	26Vdc	
	Nominal current range		
Output	G5S15W300LR-Z	300mA	Full load @230VAC
	G5S15W350LR-Z	350mA	Full load @230VAC
	G5S15W500LR-Z	500mA	Full load @230VAC
	G5S15W700LR-Z	700mA	Full load @230VAC
	G5S15W1050LR-Z	1050mA	Full load @230VAC
	Current accuracy	± 5%	Full load @230VAC
	Typical output LF current ripple	± 5%	Low Frequency < 120Hz Full load @230VAC
	Starting time	< 0.5 S	Full load @230VAC
	SVM	≤ 0.4	Full load @230VAC
	P _{st} LM	≤ 1	Full load @230VAC
	Nominal power range		
	G5S15W300LR-Z	8-12.5W	
	G5S15W350LR-Z	9-14.5W	
	G5S15W500LR-Z	9-15W	
	G5S15W700LR-Z	9-14.5W	
	G5S15W1050LR-Z	9.5-15.5W	
	Maximum power	15.5W	
Dimming	Dimming control	NA	
	Dimming technique	NA	
	PWM frequency	NA	
	Dimming range	NA	
	Lowest dimming current	NA	
	Galvanic isolation	NA	
	Ambient temperature range t _a	-20°C - +50°C	
	Maximum case temperature t _c	85°C	Bottom
	Max. case temp. in fault condition	110°C	When operating under fault conditions, the temperature of the enclosure at any location should not exceed 110 °C
Environment	Storage temperature range	-25°C - +85°C	
	Relative humidity	10% - 95%	
	Surge transient protection	1 kV	L/N
	Environmental rating	Indoor	
	IP rating	IP20	
	Mains switching cycles	> 100,000	
	Expected lifetime	> 50,000 h, t _c 85 °C @ t _a 50 °C > 100000 h, t _c 75 °C @ t _a 40 °C	0.2 % / 1,000 h failure rate
Packing	Gross weight/box	7.6 kg	
	Net weight/box	6.6 kg	
	Pcs/box	100 PCS	
	Dimension/box	490(L)*270(W)*225(H)mm	
Protections			
	Short- circuit protection	Auto recovery	
	Open- circuit protection	Auto recovery	
	Overload protection	Auto recovery	

Conformity & Standards

Safety standard:	EN 61347-1, EN 61347-2-13, EN 62493
Performance:	EN 62384
CCC standard:	GB17625.1,GB/T17743,GB19510.1,GB19510.14
EMC standard:	EN 55015, EN 61000-3-2, EN 61000-3-3, EN 61547

Cable information

PRI	
Cable cross-section	0.75-1.5 mm ² /AWG 18-16
Stripping	6mm
Pull test cable type	H03VV(H2)-F 2x0,75-1,5 mm ² ,H05VV(H2)-F 2x0,75-1,5 mm ²

SEC

Cable cross-section	0.5-1.5 mm ² /AWG 20-16
Stripping	6mm

Terminal information

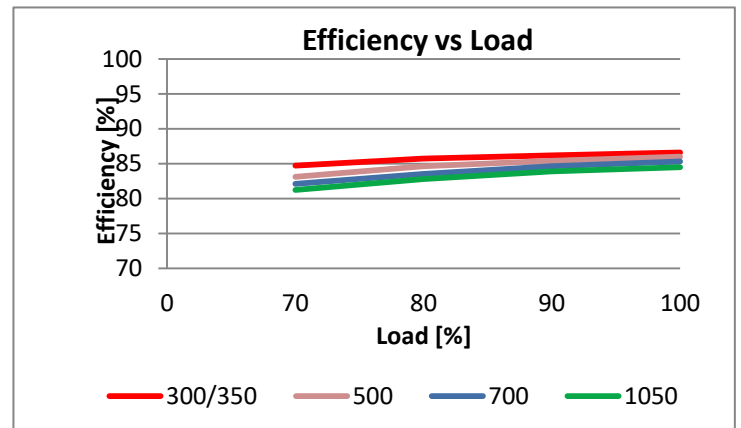
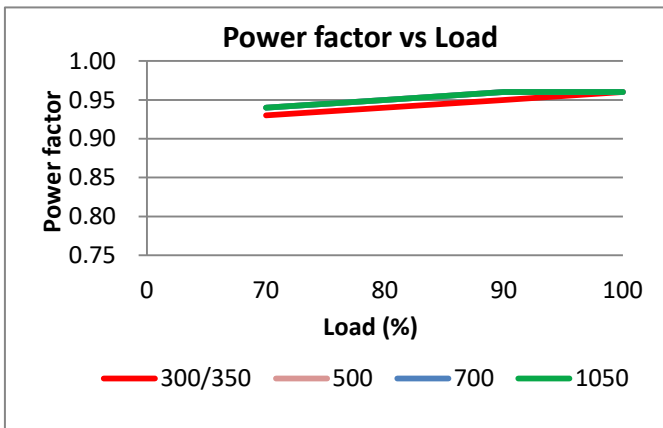
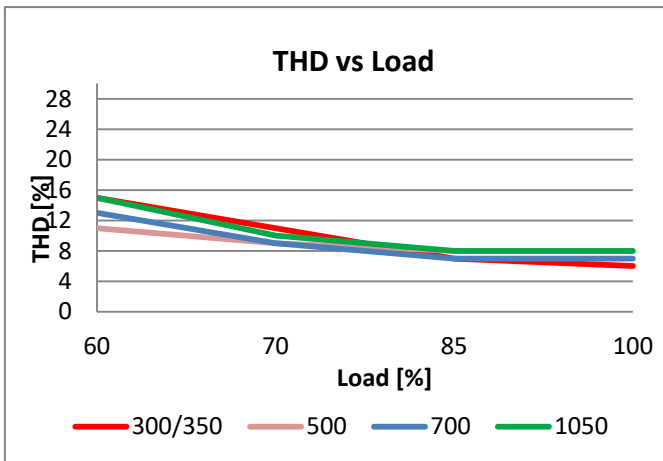
PRI-Screw type

SEC-Screw type

* If not mentioned, all the test conditions are based on full load at 230VAC input (for 220-240 VAC input).

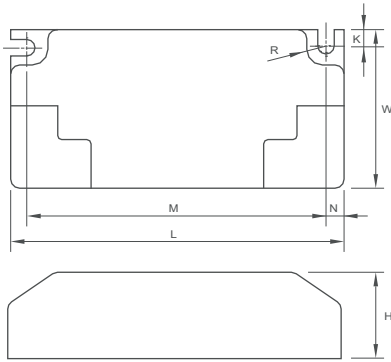
Subject to change without notice, HEP guarantees all products perform functionally well

Electrical Values



Physical

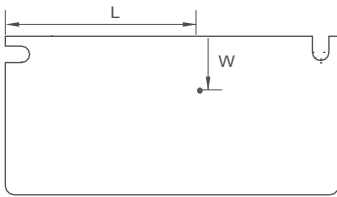
Parameter



L : 85 mm	H : 22 mm
M : 76.4 mm	K : 4.0 mm
N : 4.6 mm	R : 2.1 mm
W : 40.4 mm	Slot On One Side Allowing Alignment : $M \pm 3$ mm
Tolerance : $\geq 0 \sim 100 \geq \pm 0.5$ mm	
100 $\geq \pm 1$ mm	
Terminal Block	: PRI : Screw Type
	: SEC : Screw Type
Housing Material	: Polycarbonate
Soldering	: Lead-Free, Comply With RoHS
Label	: Surface Print

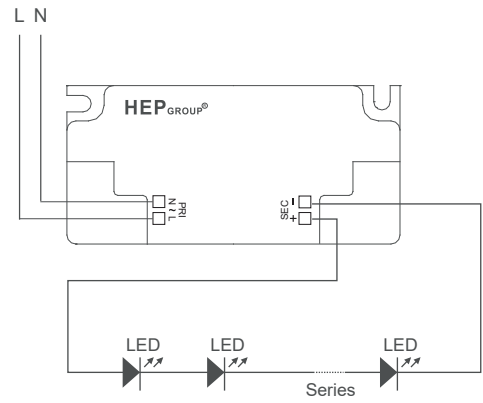
Case temperature (tc-point)

On the bottom



L : 50 mm W : 10 mm

Wiring Diagram



The length of wire from output to luminaire should be less than 2M