



Approval Marks



Item	Value	Remark
Nominal voltage	220–240V	
Nominal frequency	50–60Hz	
AC voltage range	198–264V	
DC voltage range (start)	NA	
DC voltage range (operation)	NA	
Nominal current		Full load @230VAC
G5S10W200LR	56mA	
G5S10W250LR	63mA	
G5S10W350LR	66mA	
G5S10W450LR	58mA	
G5S10W500LR	63mA	
G5S10W700LR	66mA	
Total Harmonic Distortion (THD)	< 20%	Full load @230VAC
Input	Power factor	Full load @230VAC
	G5S10W200LR	0.78-0.92C
	G5S10W250/350/450/500/700LR	0.85-0.94C
Displacement factor		Full load @230VAC
G5S10W200LR	0.78-0.92C	
G5S10W250/350/450/500/700LR	0.85-0.94C	
Efficiency	80% (Typ.)	Full load @230VAC
No-load power	NA	
Stand-by power	NA	
Protection class	NA	
Inrush current	4.7 A / 30 μs	Full load @230VAC
Max.units per circuit breaker	Type B , 10A MCB	61
	Type B , 16A MCB	97
	Type C , 10A MCB	76
	Type C , 16A MCB	121
Earth leakage current	NA	

	Item	Value	Remark
Output	Nominal voltage range		
	G5S10W200LR	29-42Vdc	
	G5S10W250LR	26-40Vdc	
	G5S10W350LR	17-29Vdc	
	G5S10W450/500LR	13-20Vdc	
	G5S10W700LR	8.6-14.5Vdc	
	Maximum voltage		
	G5S10W200LR	55Vdc	
	G5S10W250LR	53Vdc	
	G5S10W350LR	40Vdc	
	G5S10W450/500LR	29Vdc	
	G5S10W700LR	26Vdc	
	Nominal current range		
	G5S10W200LR	200mA	
	G5S10W250LR	250mA	
	G5S10W350LR	350mA	
	G5S10W450LR	450mA	
	G5S10W500LR	500mA	
	G5S10W700LR	700mA	
	Current accuracy		Full load @230VAC
	G5S10W200LR	± 6%	
G5S10W250/350/450/500/700LR	± 5%		
Typical output LF current ripple	± 5%	Low Frequency<120Hz Full load @230VAC	
SVM	≤ 0.4	Full load @230VAC	
P _{st} LM	≤ 1	Full load @230VAC	
Starting time	< 0.5 S	Full load @230VAC	
Nominal power range			
G5S10W200LR	5.8-8.4W		
G5S10W250LR	6.5-10W		
G5S10W350LR	6-10.1W		
G5S10W450LR	5.9-9W		
G5S10W500LR	6.5-10W		
G5S10W700LR	6.1-10.1W		
Maximum power	10.1W		
Ambient temperature range t _a	-20°C - +50°C		
Maximum case temperature t _c			
G5S10W200/250/700LR	85°C		
G5S10W350/450/500LR	90°C		
Max. case temp. in fault condition	110°C	When operating under fault conditions, the temperature of the enclosure at any location should not exceed 110 °C	
Storage temperature range	-40°C - +85°C		
Relative humidity	10% - 85%		
Surge transient protection	1kV	L/N	
Environmental rating	Indoor		
IP rating	IP20		
Mains switching cycles	> 100,000		
Expected lifetime			
Output load 5.8-10.1W	> 50,000 h, t _c 85 °C @ t _a 50 °C	0.2 % / 1,000 h failure rate	
Output load ≤ 7W	> 50,000 h, t _c 75 °C @ t _a 60 °C	0.2 % / 1,000 h failure rate	
Output load 5.9-10.1W	> 50,000 h, t _c 90 °C @ t _a 50 °C	0.2 % / 1,000 h failure rate	
Output load ≤ 7W	> 50,000 h, t _c 80 °C @ t _a 60 °C	0.2 % / 1,000 h failure rate	

Packing	Gross weight/box	7.3 kg
	Net weight/box	6.2 kg
	Pcs/box	256 PCS
	Dimension/box	385(L)*310(W)*260(H)mm

Protections

Short- circuit protection	Auto recovery
Open- circuit protection	Auto recovery
Overload protection	Auto recovery

Conformity & Standards

Safety standard:	EN 61347-1, EN 61347-2-13, EN62493
EMC standard:	EN55015, EN61000-3-2, EN61000-3-3, EN61547
Performance:	EN62384

Cable information

PRI Connection

Cable cross-section	0.75-1.5□/AWG 18-16
Stripping	9mm

SEC Connection

Cable cross-section	0.75-1.5□/AWG 18-16
Stripping	9mm

Terminal information

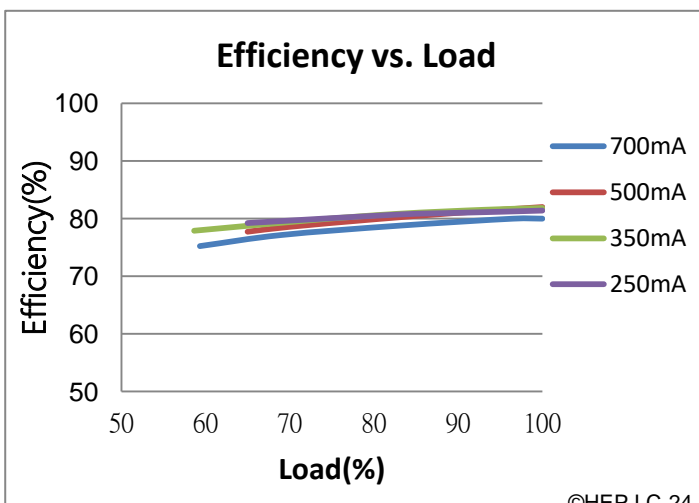
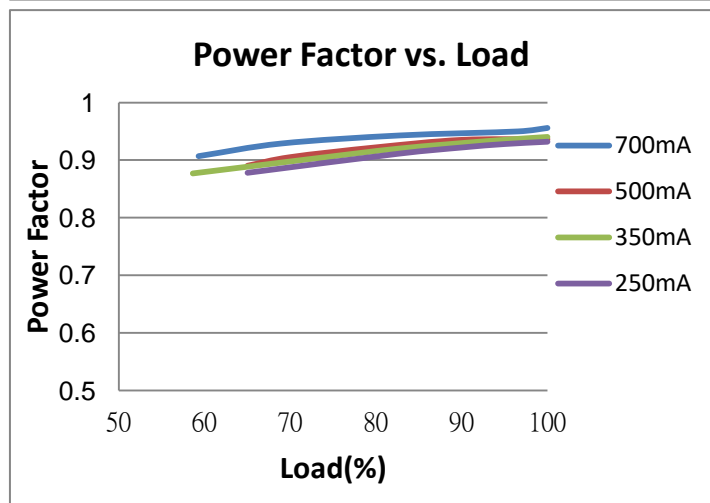
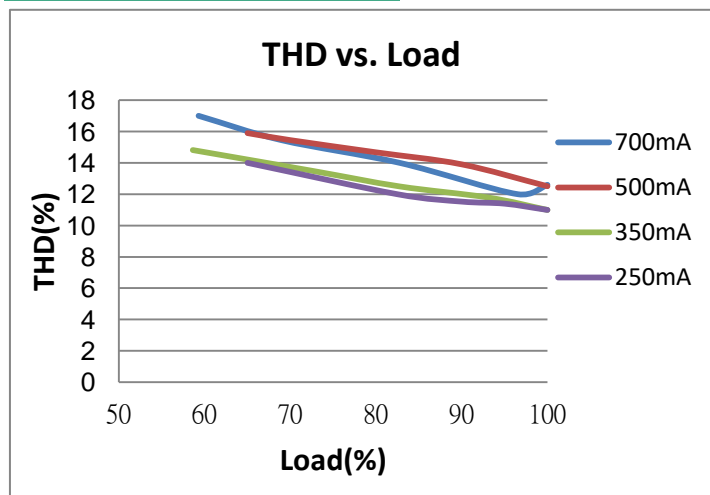
PRI-Screw

SEC-Screw

* If not mentioned, all the test conditions are based on full load at 230VAC input (for 220-240 VAC input).

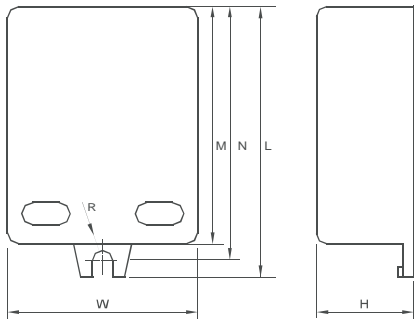
Subject to change without notice, HEP guarantees all products perform functionally well

Electrical Values



Physical

Parameter



L : 58.1 mm H : 20 mm
M : 51.1 mm R : 2.1 mm
N : 54.6 mm
W : 39.1 mm

Tolerance : +/-1 mm , R : +/-0.5 mm
Slot On One Side Allowing Alignment : M+/-3 mm
Housing Material : Polycarbonate
Soldering : Lead-Free, Comply With RoHS
Label : Surface Print

Wiring Diagram

