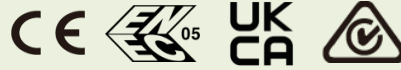




Approval Marks



for 350/450/500mA

| Item | Value | Remark |
|---------------------------------|-------------------------------|----------------------------------|
| Nominal voltage | 220–240V | |
| Nominal frequency | 50–60Hz | |
| AC voltage range | 198–264V | |
| DC voltage range (start) | NA | |
| DC voltage range (operation) | NA | |
| Nominal current | | Full load @230VAC |
| G5S10W200LR-Z | 56mA | |
| G5S10W250LR-Z | 63mA | |
| G5S10W350LR-Z | 66mA | |
| G5S10W450LR-Z | 58mA | |
| G5S10W500LR-Z | 63mA | |
| G5S10W700LR-Z | 66mA | |
| Total Harmonic Distortion (THD) | < 20% | Full load @230VAC |
| Power factor | | Full load @230VAC |
| | G5S10W200LR-Z | 0.78-0.92C |
| | G5S10W250/350/450/500/700LR-Z | 0.85-0.94C |
| Displacement factor | | Full load @230VAC |
| | G5S10W200LR-Z | 0.78-0.92C |
| | G5S10W250/350/450/500/700LR-Z | 0.85-0.94C |
| Efficiency | 80% (Typ.) | Full load @230VAC |
| No-load power | NA | |
| Stand-by power | NA | |
| Protection class | II | Suitable for class II luminaires |
| Inrush current | 4.7 A / 30 μ s | Full load @230VAC |
| Max.units per circuit breaker | Type B , 10A MCB | 61 |
| | Type B , 16A MCB | 97 |
| | Type C , 10A MCB | 76 |
| | Type C , 16A MCB | 121 |
| Earth leakage current | NA | |

| | | | |
|----------------------------------|--|--|--|
| Output | Nominal voltage range | | |
| | G5S10W200LR-Z | 29-42Vdc | |
| | G5S10W250LR-Z | 26-40Vdc | |
| | G5S10W350LR-Z | 17-29Vdc | |
| | G5S10W450/500LR-Z | 13-20Vdc | |
| | G5S10W700LR-Z | 8.6-14.5Vdc | |
| | Maximum voltage | | |
| | G5S10W200LR-Z | 55Vdc | |
| | G5S10W250LR-Z | 53Vdc | |
| | G5S10W350LR-Z | 40Vdc | |
| | G5S10W450/500LR-Z | 29Vdc | |
| | G5S10W700LR-Z | 26Vdc | |
| | Nominal current range | | |
| | G5S10W200LR-Z | 200mA | |
| | G5S10W250LR-Z | 250mA | |
| | G5S10W350LR-Z | 350mA | |
| | G5S10W450LR-Z | 450mA | |
| | G5S10W500LR-Z | 500mA | |
| | G5S10W700LR-Z | 700mA | |
| | Current accuracy | | Full load @230VAC |
| | G5S10W200LR-Z | ± 6% | |
| G5S10W250/350/450/500/700LR-Z | ± 5% | | |
| Typical output LF current ripple | ± 5% | Low Frequency<120Hz Full load @230VAC | |
| SVM | ≤ 0.4 | Full load @230VAC | |
| P _{stLM} | ≤ 1 | Full load @230VAC | |
| Starting time | < 0.5S | Full load @230VAC | |
| Nominal power range | | | |
| G5S10W200LR-Z | 5.8-8.4W | | |
| G5S10W250LR-Z | 6.5-10W | | |
| G5S10W350LR-Z | 6-10.1W | | |
| G5S10W450LR-Z | 5.9-9W | | |
| G5S10W500LR-Z | 6.5-10W | | |
| G5S10W700LR-Z | 6.1-10.1W | | |
| Maximum power | 10.1W | | |
| Environment | Ambient temperature range t _a | -20°C - +45°C | |
| | Maximum case temperature t _c | | |
| | G5S10W200/250/700LR-Z | 80°C | |
| | G5S10W350/450/500LR-Z | 85°C | |
| | Max. case temp. in fault condition | 110°C | When operating under fault conditions, the temperature of the enclosure at any location should not exceed 110 °C |
| | Storage temperature range | -40°C - +85°C | |
| | Relative humidity | 10% - 85% | |
| | Surge transient protection | 1kV | L/N |
| | Environmental rating | Indoor | |

| | Item | Value | Remark |
|-------------|------------------------|---|--|
| Environment | IP rating | IP20 | |
| | Mains switching cycles | > 100,000 | |
| | Expected lifetime | | |
| | G5S10W200/250/700LR-Z | > 50,000 h, tc 80 °C @ ta 45 °C > 100,000 h, tc 70 °C @ ta 35 °C | 0.2 % / 1,000 h failure rate 0.1 % / 1,000 h failure rate |
| | G5S10W350/450/500LR-Z | > 50,000 h, tc 85 °C @ ta 45 °C > 100,000 h, tc 75 °C @ ta 35 °C | 0.2 % / 1,000 h failure rate 0.1 % / 1,000 h failure rate |
| Packing | Gross weight/box | 7.3 kg | |
| | Net weight/box | 6.2 kg | |
| | Pcs/box | 144 PCS | |
| | Dimension/box | 385(L)*310(W)*260(H)mm | |

Protections

| | |
|---------------------------|---------------|
| Short- circuit protection | Auto recovery |
| Open- circuit protection | Auto recovery |
| Overload protection | Auto recovery |

Conformity & Standards

| | |
|------------------|--|
| Safety standard: | EN 61347-1, EN 61347-2-13, EN62493 |
| EMC standard: | EN55015, EN61000-3-2, EN61000-3-3, EN61547 |
| CCC standard: | GB/T17743,GB19510.1,GB19510.14 |
| SAA standard: | AS/NZS 61347.1, AS/NZS IEC 61347.2.13 |
| Performance: | EN62384 |

Cable information

| | |
|-----------------------|--|
| PRI Connection | |
| Cable cross-section | 0.75-1.5□/AWG 18-16 |
| Stripping | 6mm |
| Pull test cable type | H03VV(H2)-F 2x0,75-1,5 mm ² ,H05VV(H2)-F 2x0,75-1,5 mm ² |

SEC Connection

| | |
|---------------------|---------------------|
| Cable cross-section | 0.75-1.5□/AWG 18-16 |
| Stripping | 6mm |

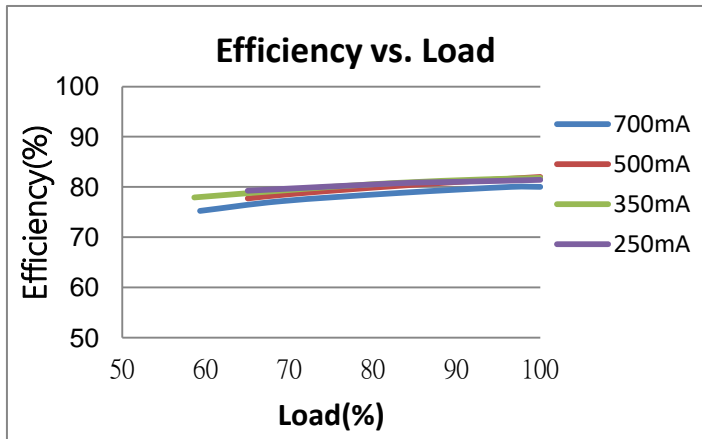
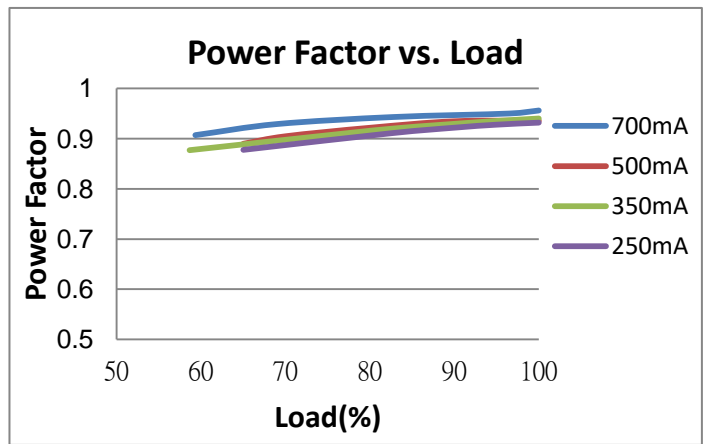
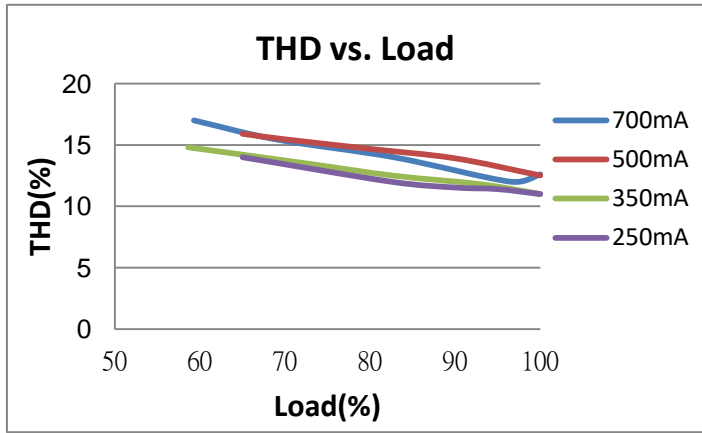
Terminal information

| | |
|------------------------|--|
| PRI- Screw type | |
| SEC- Screw type | |

* If not mentioned, all the test conditions are based on full load at 230VAC input (for 220-240 VAC input).

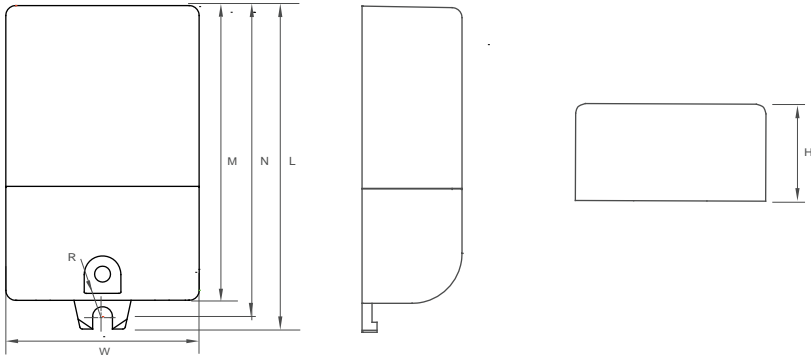
Subject to change without notice, HEP guarantees all products perform functionally well

Electrical Values



Physical

Parameter



L : 65 mm H : 20 mm
M : 59.2 mm R : 2 mm
N : 62.5 mm W : 39 mm

Tolerance : +/-1 mm , R : +/-0.5 mm

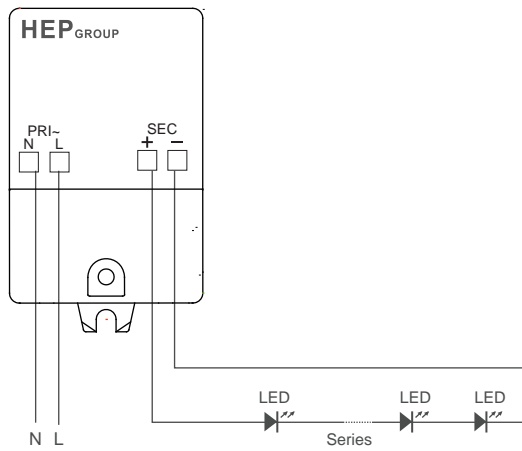
Slot On One Side Allowing Alignment : M+/-3 mm

Housing Material : Polycarbonate

Soldering : Lead-Free, Comply With RoHS

Label : Surface Print

Wiring Diagram



The length of wire from output to luminaire should be less than 2M