



### Approval Marks



Item	Value	Remark
Nominal voltage	220–240V	
Nominal frequency	50–60Hz	
AC voltage range	198–264V	
DC voltage range (start)	NA	
DC voltage range (operation)	NA	
Nominal current		Full load @230VAC
G5S10W200LR-Z	56mA	
G5S10W250LR-Z	63mA	
G5S10W350LR-Z	66mA	
G5S10W450LR-Z	58mA	
G5S10W500LR-Z	63mA	
G5S10W700LR-Z	66mA	
Total Harmonic Distortion (THD)	< 20%	Full load @230VAC
Power factor	0.9C	Full load @230VAC
Displacement factor	0.9C	Full load @230VAC
Efficiency	80% (Typ.)	Full load @230VAC
No-load power	NA	
Stand-by power	NA	
Protection class	II	Suitable for class II luminaires
Inrush current	4.7 A / 30 μs	Full load @230VAC
Max.units per circuit breaker	Type B , 10A MCB	61
	Type B , 16A MCB	97
	Type C , 10A MCB	76
	Type C , 16A MCB	121
Earth leakage current	NA	
Nominal voltage range		
G5S10W200LR-Z	29-42Vdc	
G5S10W250LR-Z	26-40Vdc	
G5S10W350LR-Z	17-29Vdc	
G5S10W450/500LR-Z	13-20Vdc	
G5S10W700LR-Z	8.6-14.5Vdc	

	Item	Value	Remark
Output	Maximum voltage		
	G5S10W200LR-Z	55Vdc	
	G5S10W250LR-Z	53Vdc	
	G5S10W350LR-Z	40Vdc	
	G5S10W450/500LR-Z	29Vdc	
	G5S10W700LR-Z	26Vdc	
	Nominal current range		
	G5S10W200LR-Z	200mA	
	G5S10W250LR-Z	250mA	
	G5S10W350LR-Z	350mA	
	G5S10W450LR-Z	450mA	
	G5S10W500LR-Z	500mA	
	G5S10W700LR-Z	700mA	
	Current accuracy		Full load @230VAC
	G5S10W200LRZ	± 6%	
	G5S10W250/350/450/500/700LRZ	± 5%	
	Typical output LF current ripple	± 5%	Low Frequency<120Hz Full load @230VAC
	SVM	≤ 0.4	Full load @230VAC
	P <sub>st</sub> LM	≤ 1	Full load @230VAC
	Starting time	< 0.5S	Full load @230VAC
	Nominal power range		
G5S10W200LR-Z	5.8-8.4W		
G5S10W250LR-Z	6.5-10W		
G5S10W350LR-Z	6-10.1W		
G5S10W450LR-Z	5.9-9W		
G5S10W500LR-Z	6.5-10W		
G5S10W700LR-Z	6.1-10.1W		
Maximum power	10.1W		
Ambient temperature range t <sub>a</sub>	-20°C - +45°C		
Maximum case temperature t <sub>c</sub>	85°C		
Environment	Max. case temp. in fault condition	110°C	When operating under fault conditions, the temperature of the enclosure at any location should not exceed 110 °C
	Storage temperature range	-40°C - +85°C	
	Relative humidity	10% - 85%	
	Surge transient protection	1kV	L/N
	Environmental rating	Indoor	
Environment	Item	Value	Remark
	IP rating	IP20	
	Mains switching cycles	> 10,000	
	Expected lifetime	> 50,000 h, t <sub>c</sub> 80 °C @ t <sub>a</sub> 45 °C > 100,000 h, t <sub>c</sub> 70 °C @ t <sub>a</sub> 35 °C	0.2 % / 1,000 h failure rate 0.1 % / 1,000 h failure rate
Packing	Gross weight/box	7.3 kg	
	Net weight/box	6.2 kg	
	Pcs/box	144 PCS	
	Dimension/box	385(L)*310(W)*260(H)mm	
<b>Protections</b>			
Short- circuit protection	Auto recovery		
Open- circuit protection	Auto recovery		
Overload protection	Auto recovery		

## Conformity & Standards

Safety standard:	EN 61347-1, EN 61347-2-13, EN62493
EMC standard:	EN55015, EN61000-3-2, EN61000-3-3, EN61547
CCC standard:	GB/T17743,GB19510.1,GB19510.14
Performance:	EN62384

## Cable information

### PRI Connection

Cable cross-section	0.75-1.5mm <sup>2</sup> /AWG 18-16
Stripping	9mm
Pull test cable type	H03VV(H2)-F 2x0,75-1,5 mm <sup>2</sup> ,H05VV(H2)-F 2x0,75-1,5 mm <sup>2</sup>

### SEC Connection

Cable cross-section	0.75-1.5mm <sup>2</sup> /AWG 18-16
Stripping	9mm

## Terminal information

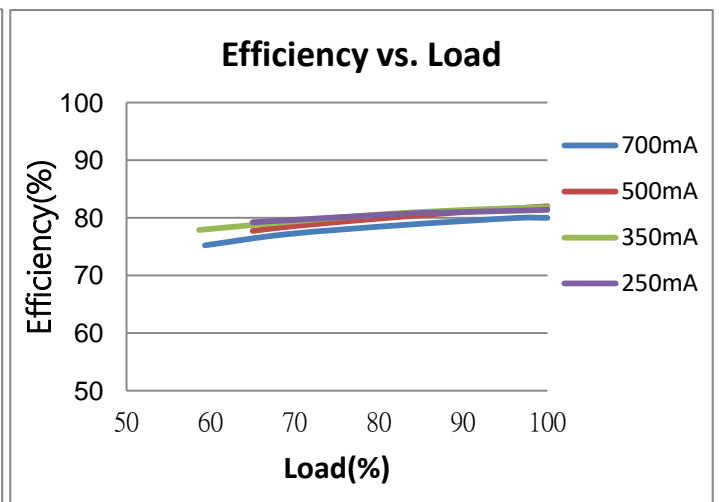
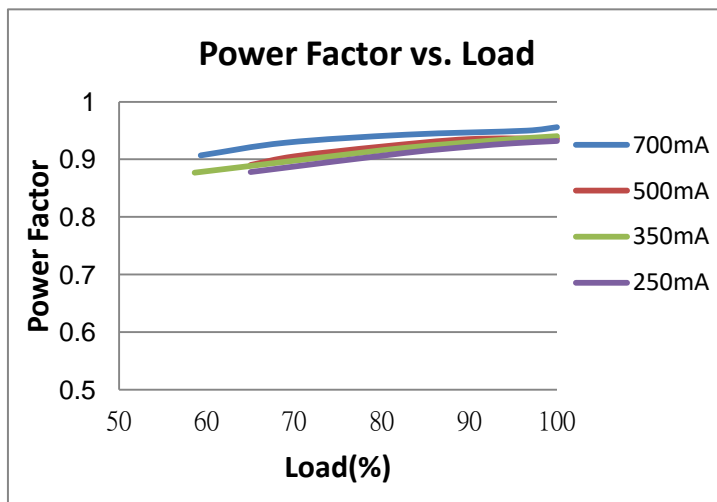
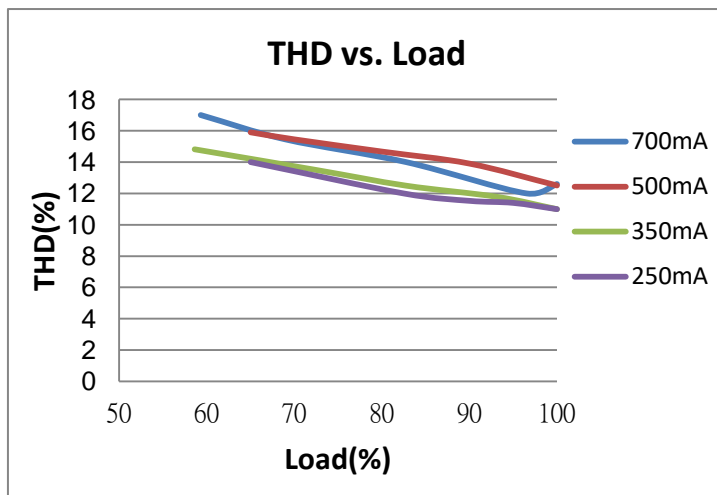
### PRI- Screw type

### SEC- Screw type

\* If not mentioned, all the test conditions are based on full load at 230VAC input (for 220-240 VAC input).

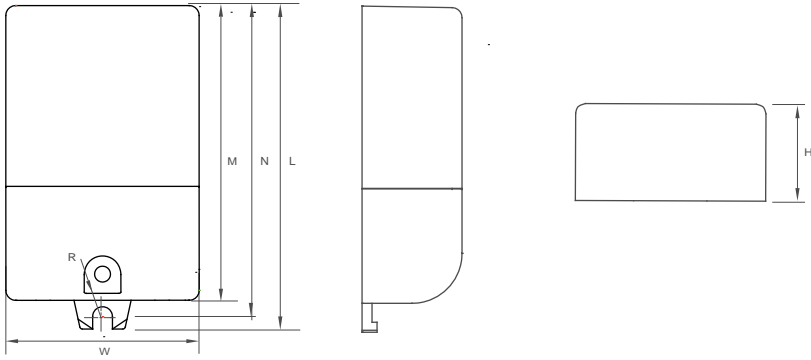
\*Subject to change without notice, HEP guarantees all products perform functionally well\*

## Electrical Values



## Physical

### Parameter



L : 65 mm    H : 20 mm  
M : 59.2 mm    R : 2 mm  
N : 62.5 mm    W : 39 mm

Tolerance : +/-1 mm , R : +/-0.5 mm

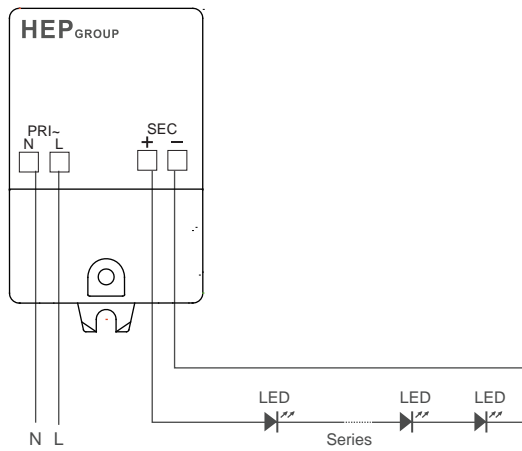
Slot On One Side Allowing Alignment : M+/-3 mm

Housing Material : Polycarbonate

Soldering : Lead-Free, Comply With RoHS

Label : Surface Print

## Wiring Diagram



The length of wire from output to luminaire should be less than 2M