

Item	Value	Remark
Nominal voltage	220 - 240 V	
Nominal frequency	50 - 60 Hz	
AC voltage range	198 - 264 V	
DC voltage range (start)	NA	
DC voltage range (operation)	NA	
Nominal current		Full load @230VAC
G5RT7W150LR-S	50 mA	
G5RT7W350LR-S	50 mA	
G5RT7W500LR-S	50 mA	
G5RT7W700LR-S	50 mA	
Input Total Harmonic Distortion (THD)	< 20 %	Full load @230VAC
Power factor	0.9 C	Full load @230VAC/50Hz.
Displacement factor	0.9 C	Full load @230VAC
Efficiency		Full load @230VAC
G5RT7W150LR-S	78 % (Typ.)	
G5RT7W350LR-S	75 % (Typ.)	
G5RT7W500LR-S	72 % (Typ.)	
G5RT7W700LR-S	71 % (Typ.)	
No-load power	NA	
Stand-by power	NA	
Protection class	II	Suitable for class II luminaires
Inrush current	9 A / 40 us	
Earth leakage current	NA	
Nominal voltage range		
G5RT7W150LR-S	30 - 42 Vdc	
G5RT7W350LR-S	12 - 22 Vdc	
G5RT7W500LR-S	9 - 13 Vdc	
G5RT7W700LR-S	6 - 9 Vdc	
Maximum voltage		
G5RT7W150LR-S	55 Vdc	
G5RT7W350LR-S	32 Vdc	
G5RT7W500LR-S	21 Vdc	
G5RT7W700LR-S	18 Vdc	
Nominal current range		
G5RT7W150LR-S	150 mA	
G5RT7W350LR-S	350 mA	
G5RT7W500LR-S	500 mA	
G5RT7W700LR-S	700 mA	
Output		

Item	Value		Remark
Current accuracy			Full load @230VAC
G5RT7W150LR-S	±	10 %	
G5RT7W350/500/700LR-S	±	5 %	
Typical output LF current ripple	±	5 %	Low Frequency< 120Hz Full load @230VAC
SVM	≤	0.4	Full load @230VAC
P _{stLM}	≤	1	Full load @230VAC
Starting time	<	0.5 S	Full load @230VAC
Nominal power range			
G5RT7W150LR-S	4.5	- 6.3 W	
G5RT7W350LR-S	4.2	- 7.7 W	
G5RT7W500LR-S	4.5	- 6.5 W	
G5RT7W700LR-S	4.2	- 6.3 W	
Maximum power	7.7 W		
Dimming control	Trailing edge		
Dimming range	10	- 100 %	
Lowest dimming current	3.5	- 9 %	
Dimming technique	Amplitude		
PWM frequency	NA		
Galvanic isolation	NA		
Ambient temperature range t _a	- 20 °C	- + 50 °C	
Maximum case temperature t _c	80 °C		
Max. case temp. in fault condition	110 °C		When operating under fault conditions, the temperature of the enclosure at any location should not exceed 110 °C
Storage temperature range	- 40 °C	- + 85 °C	
Relative humidity	10	- 90 %	
Surge transient protection	1	kV	L/N
Environmental rating	Indoor		
IP rating	IP20		
Mains switching cycles	> 100,000		
Expected lifetime	> 50,000 h , t _c	80 °C @ t _a 50 °C	0.2 % / 1,000 h failure rate
	> 75,000 h , t _c	70 °C @ t _a 40 °C	0.13 % / 1,000 h failure rate
Gross weight/Carton	7.7 kg		
Net weight/Carton	6.5 kg		
Pcs/Carton	120 PCS		
Dimension/Carton	385 (L) * 310 (W) * 260 (H)	mm	
Protections			
Short- & open circuit proof, Auto, Overload protectio			
Conformity & Standards			
Safety standard:	EN 61347-1, EN 61347-2-13, EN 62493		
Performance:	EN 62384		
EMC standard:	EN 55015, EN 61000-3-2, EN 61000-3-3, EN 61547		

Cable information

PRI Connection	L	N
Color	Brown	Blue
Wire type	VDE H03VVH2-F	VDE H03VVH2-F
Wire diameter	AWG 18	AWG 18
Wire length	135 mm	135 mm
Stripping	5 mm	5 mm
Tolerance	± 5 mm	± 5 mm
Sec Connection	+	-
Color	Red	Black
Wire type	1015	1015
Wire diameter	AWG 20	AWG 20
Wire length	117 mm	117 mm
Stripping	0 mm	0 mm
Tolerance	± 5 mm	± 5 mm

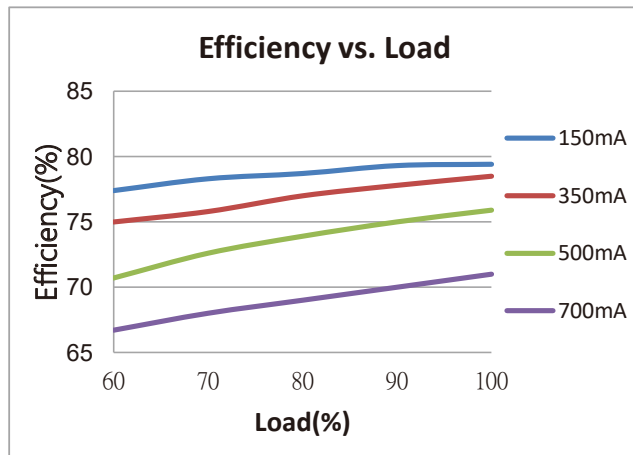
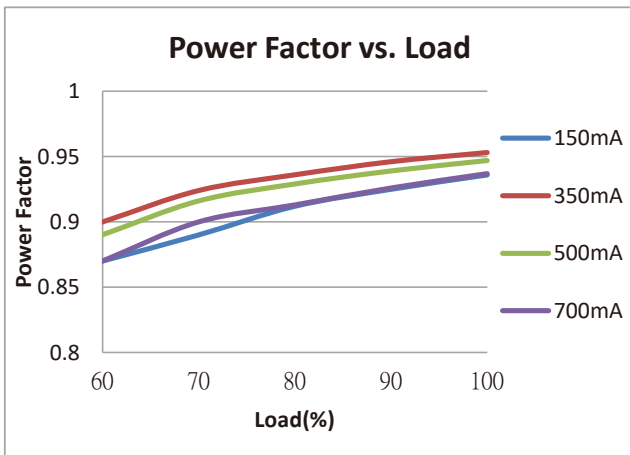
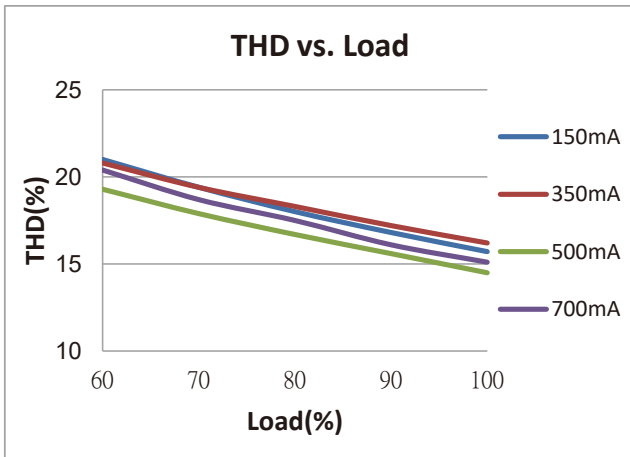
Subject to change without notice, HEP guarantees all products perform functionally well

* If not mentioned, all the test conditions are based on full load at 230VAC input (for 220-240 VAC input).

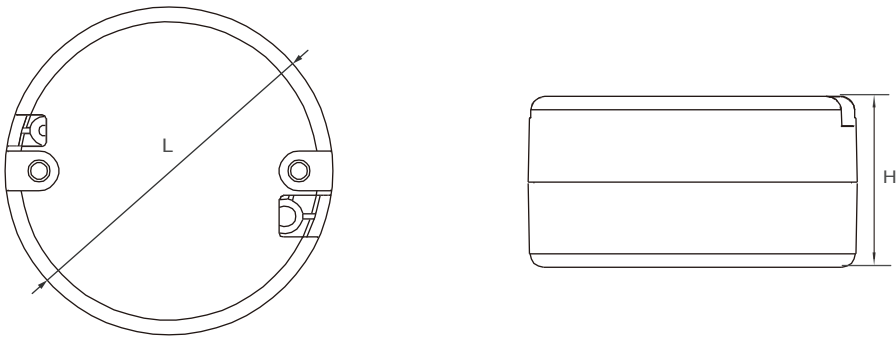
Trailing Edge Dimmer list approved by HEP

Manufacturer	Model	Qty of parallelconnection
Philips	SED-200A	13
Merten/Schneider	SBD315RC	20
Etman	ETM321	20
Etman	ETM329	20
Busch	6523 UR-103	45
Busch	6523 U-102	11
Niko	310-0190X	22
JUNG	LB-Management	11
Merten	SBD200LED(MEG5134-0000)	22
AU	P3	28

Electrical Values



**Physical
Parameter**



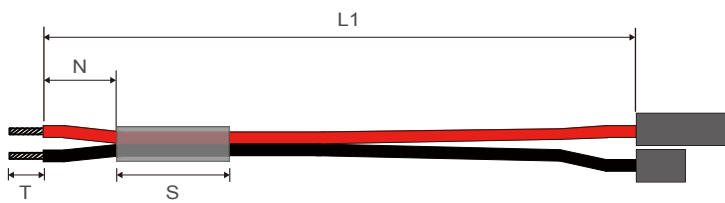
L : 48 mm H : 25 mm

Tolerance : +/-1 mm

Housing Material : Polycarbonate

Soldering : Lead-Free, Comply With RoHS

Label : Surface Print



Wire type : 1015

L1 : 140 mm N : 5 mm S : 30 mm T : 3 mm

Wiring Diagram

