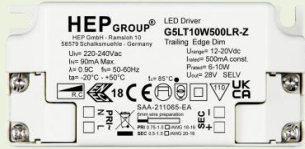


Approval Marks



SAA-210065-EA

Item	Value	Remark
Nominal voltage	220–240V	
Nominal frequency	50–60Hz	
AC voltage range	198–264V	
DC voltage range (start)	NA	
DC voltage range (operation)	NA	
Maximum voltage	264VAC	2 h maximum.unit might not operate in this abnormal condition
Nominal current	90mA	
Total Harmonic Distortion (THD)	< 20%	Full load @230VAC
Power factor	0.9C	Full load @230VAC
Displacement factor	0.9C	Full load @230VAC
Efficiency		
G5LT10W200/350LR-Z	78%(Typ.)	Full load @230VAC
No-load power	NA	
Stand-by power	NA	
Protection class	II	Suitable for class II luminaires test with analog luminaires
Inrush current	1A / 68us	
Max.units per circuit breaker	Type B , 10A MCB	44
	Type B , 16A MCB	71
	Type C , 10A MCB	56
	Type C , 16A MCB	89
Earth leakage current	NA	
Nominal voltage range		
G5LT10W200LR-Z	30-42Vdc	
G5LT10W350LR-Z	13-26Vdc	
Maximum voltage		
G5LT10W200LR-Z	55Vdc	
G5LT10W350LR-Z	35Vdc	

	Item	Value	Remark
Output	Nominal current range		
	G5LT10W200LR-Z	200mA	
	G5LT10W350LR-Z	350mA	
	Current accuracy	± 5%	Full load @230VAC
	Typical output LF current ripple	± 5%	Low Frequency< 120Hz Full load @230VAC
	Nominal power range		
	G5LT10W200LR-Z	6-8.4W	
G5LT10W350LR-Z	4.55-9.1W		
Maximum power	10W		
Dimming	Dimming control	Trailing edge	
	Dimming technique	Amplitude	
	PWM frequency	NA	
	Dimming range	10-100%	
	Lowest dimming current	2-6%	
	Galvanic isolation	NA	
Environment	Ambient temperature range t_a	-20°C - +50°C	
	Maximum case temperature t_c	85°C	
	Max. case temp. in fault condition	110°C	When operating under fault conditions, the temperature of the enclosure at any location should not exceed 110 °C
	Storage temperature range	-40°C - +85°C	
	Relative humidity	10% - 90%	
	Surge transient protection	1 kV	L/N
	Environmental rating	Indoor	
	IP rating	IP20	
	Mains switching cycles	> 100,000	
	Expected lifetime	> 50,000 h, t_c 85 °C @ t_a 50 °C	0.2 % / 1,000 h failure rate
		> 100,000 h, t_c 75 °C @ t_a 40 °C	0.1 % / 1,000 h failure rate
	Packing	Gross weight/Carton	16.1 kg
Net weight/Carton		14.1 kg	
Pcs/Carton		224 PCS	
Dimension/Carton		385(L)*310(W)*260(H)mm	
Protections			
Short-circuit Protection		Auto recovery	
Open-circuit Protection		Auto recovery	
Overload Protection		Auto recovery	
Conformity & Standards			
Safety standard:	EN 61347-1, EN 61347-2-13, EN 62493		
Performance:	EN 62384		
EMC standard:	EN 55015, EN 61000-3-2, EN 61000-3-3, EN 61547		
SAA standard:	AS/NZS 61347.1, AS/NZS IEC 61347.2.13		

Cable information

PRI

Cable cross-section	0.75-1.5 mm ² /AWG 18-16
Stripping	6mm
Pull test cable type	H03VV(H2)-F 2x0,75-1,0 mm ² ,H05VV(H2)-F 2x0,75-1,0 mm ²

SEC

Cable cross-section	0.5-1.5 mm ² /AWG 20-16
Stripping	6mm

Terminal information

PRI-Screw type

SEC-Screw type

Subject to change without notice, HEP guarantees all products perform functionally well

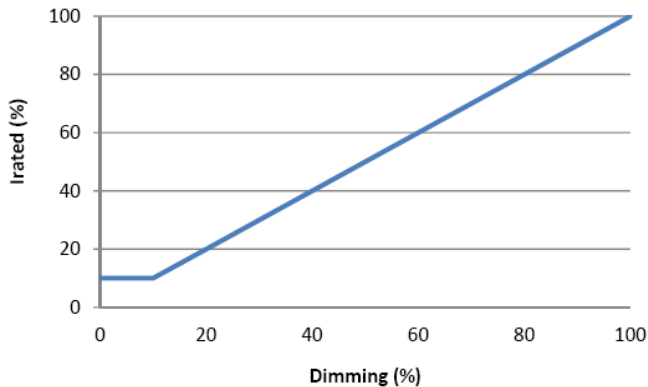
* If not mentioned, all the test conditions are based on full load at 230VAC input (for 220-240 VAC input).

Trailing Edge Dimmer list approved by HEP

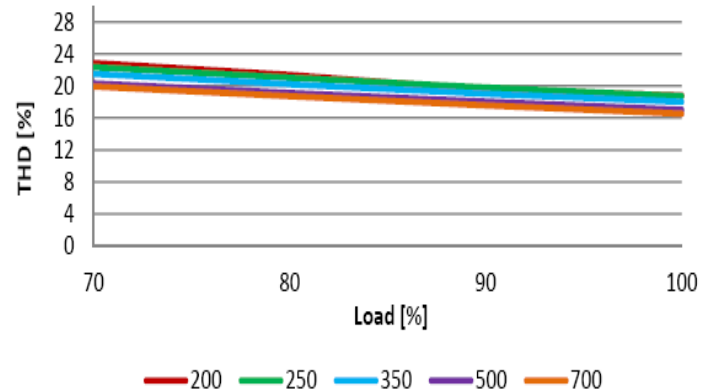
Manufacturer	Model	Q'ty of parallelconnection
Niko	310-0190X	15
JUNG	LB-Management	7
AU	P3	18
Philips	SED-200A	13
Merten/Schneider	SBD315RC	20
Etman	ETM327	20
Etman	ETM329	20
CASAMBI	CBU-TED	6

Electrical Values

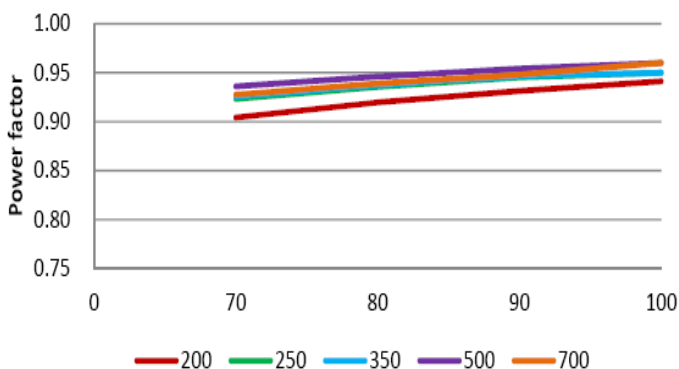
Dimming Curve



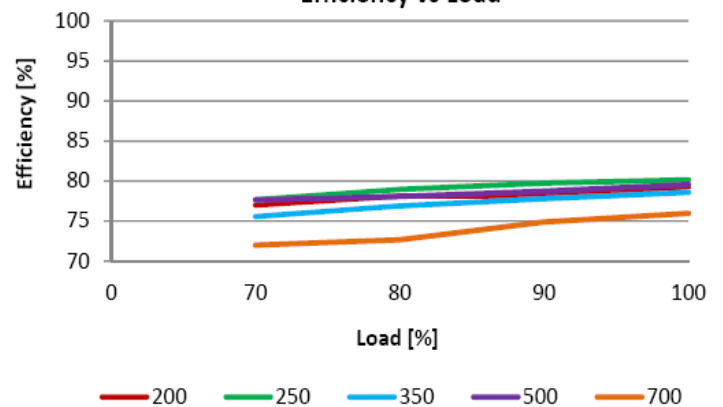
THD vs Load



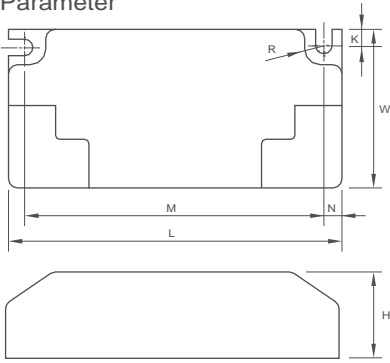
Power factor vs Load



Efficiency vs Load



**Physical
Parameter**



L : 85 mm H : 22 mm
M : 76.4 mm K : 4.0 mm
N : 4.6 mm R : 2.1 mm
W : 40.4 mm

Tolerance : $\geq \pm 1$ mm

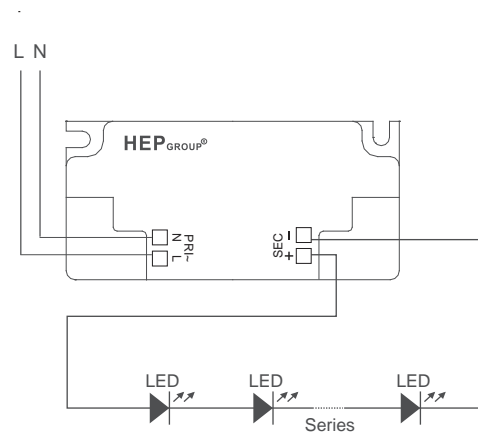
Terminal Block : PRI : Screw Type
SEC : Screw Type

Housing Material : Polycarbonate

Soldering : Lead-Free, Comply With RoHS

Label : Surface Print

Wiring Diagram



The length of wire from output to luminaire should be less than 2M