



Approval Marks



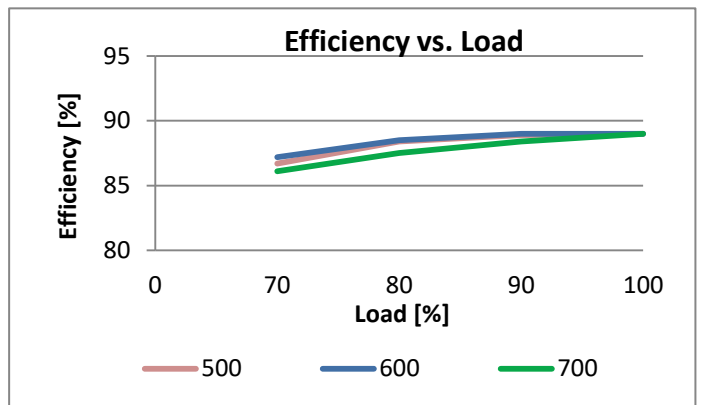
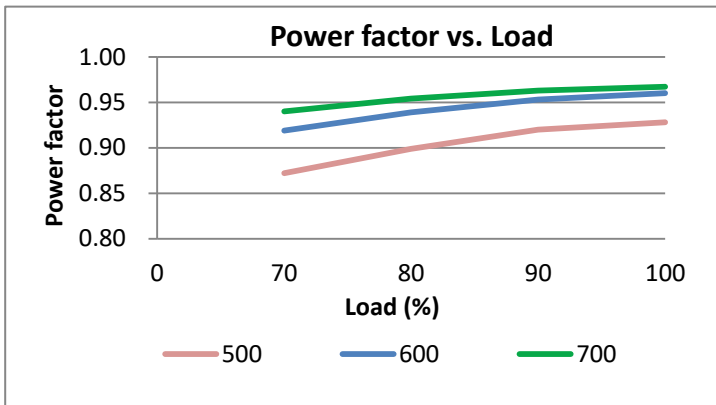
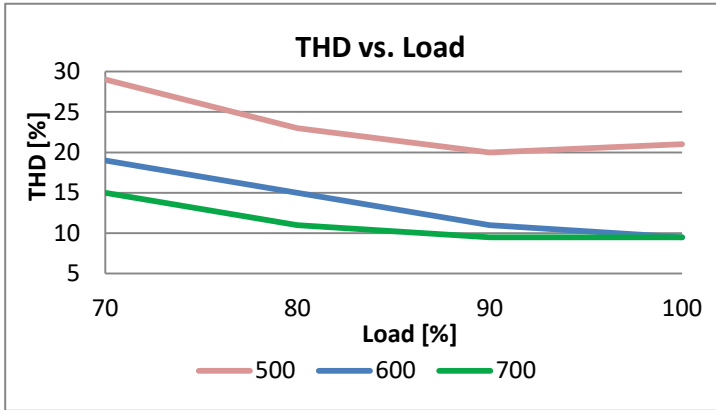
Item	Value	Remark
Nominal voltage	220–240V	
Nominal frequency	50–60Hz	
AC voltage range	198–264V	
DC voltage range (start)	NA	
DC voltage range (operation)	NA	
Nominal current	170mA	
Total Harmonic Distortion (THD)	< 15%	Full load @230VAC
Power factor	0.9C	Full load @230VAC
Displacement factor	0.9C	Full load @230VAC
Efficiency	89%(Typ.)	Full load @230VAC
No-load power	NA	
Stand-by power	NA	
Protection class	II	Suitable for class II luminaires
Inrush current	12A / 300us	
Max.units per circuit breaker	Type B , 10A MCB	23
	Type B , 16A MCB	36
	Type C , 10A MCB	29
	Type C , 16A MCB	47
Earth leakage current	NA	
Nominal voltage range	25-42Vdc	
Maximum voltage	53Vdc	
Nominal current range		
I _{out} =500mA	500mA	
I _{out} =600mA	600mA	
I _{out} =700mA	700mA	
Current accuracy	± 5%	
Typical output LF current ripple	± 2.5%	Low Frequency<120Hz
Starting time	< 0.2 S	Full load @230VAC
SVM	≤ 0.4	Full load @230VAC
P _{stLM}	≤ 1	Full load @230VAC

	Item	Value	Remark
Output	Nominal power range		
	I _{out} =500mA	12.5-21W	
	I _{out} =600mA	15-25W	
	I _{out} =700mA	17.5-29.5W	
	Maximum power	29.5W	
Dimming	Dimming control	NA	
	Dimming technique	NA	
	PWM frequency	NA	
	Dimming range	NA	
	Lowest dimming current	NA	
	Galvanic isolation	NA	
Environment	Ambient temperature range t _a	-20°C~+50°C	
	Maximum case temperature t _c	80°C	bottom
	Max. case temp. in fault condition	110°C	When operating under fault conditions, the temperature of the enclosure at any location should not exceed 110 °C
	Storage temperature range	-30°C~+85°C	
	Relative humidity	10%-95%	
	Surge transient protection	1 kV	L/N
	Environmental rating	Indoor	
	IP rating	IP20	
	Mains switching cycles	> 100,000	
	Expected lifetime	> 50,000 h, t _c 80 °C @ t _a 50 °C > 100,000 h, t _c 70 °C @ t _a 40 °C	0.2 % / 1,000 h failure rate 0.1 % / 1,000 h failure rate
Packing	Gross weight/box	4.4 kg / 9.5 kg	Built-in /Independent
	Net weight/box	3.6 kg / 8.9 kg	Built-in /Independent
	Pcs/box	40PCS / 100PCS	Built-in /Independent
	Dimension/box	240(L)*190(W)*185(H)mm	Built-in Type
		460(L)*220(W)*185(H)mm	Independent Type
Protections			
	Short-circuit Protection	Auto recovery	
	Open-circuit Protection	Auto recovery	
	Overload Protection	Auto recovery	
Conformity & Standards			
	Safety standard:	EN 61347-1, EN 61347-2-13, EN 62493	
	Performance:	EN 62384	
	EMC:	EN 55015, EN 61000-3-2, EN 61000-3-3, EN 61547	
	CCC standard:	GB 17625.1-2012 ; GB/T 17743-2021 ; GB 19510.1-2009 ; GB 19510.14-2009	
Cable information			
PRI			
	Cable cross-section	0.5-1.5□/AWG 20-16	
	Stripping	9mm	
	Pull test cable type	H03VV(H2)-F 2x0,75-1,0 mm ²	
SEC			
	Cable cross-section	0.5-1.5□/AWG 20-16	
	Stripping	9mm	
Terminal information			
	PRI -Push button/Angled Entry		
	SEC -Push button/Angled Entry (Red/Black)		

Subject to change without notice, HEP guarantees all products perform functionally well

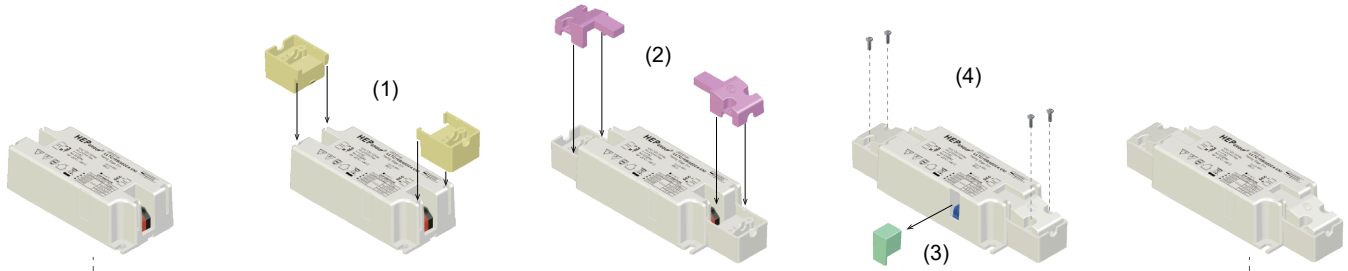
* If not mentioned, all the test conditions are based on full load at 230VAC input (for 220-240 VAC input).

Electrical Values

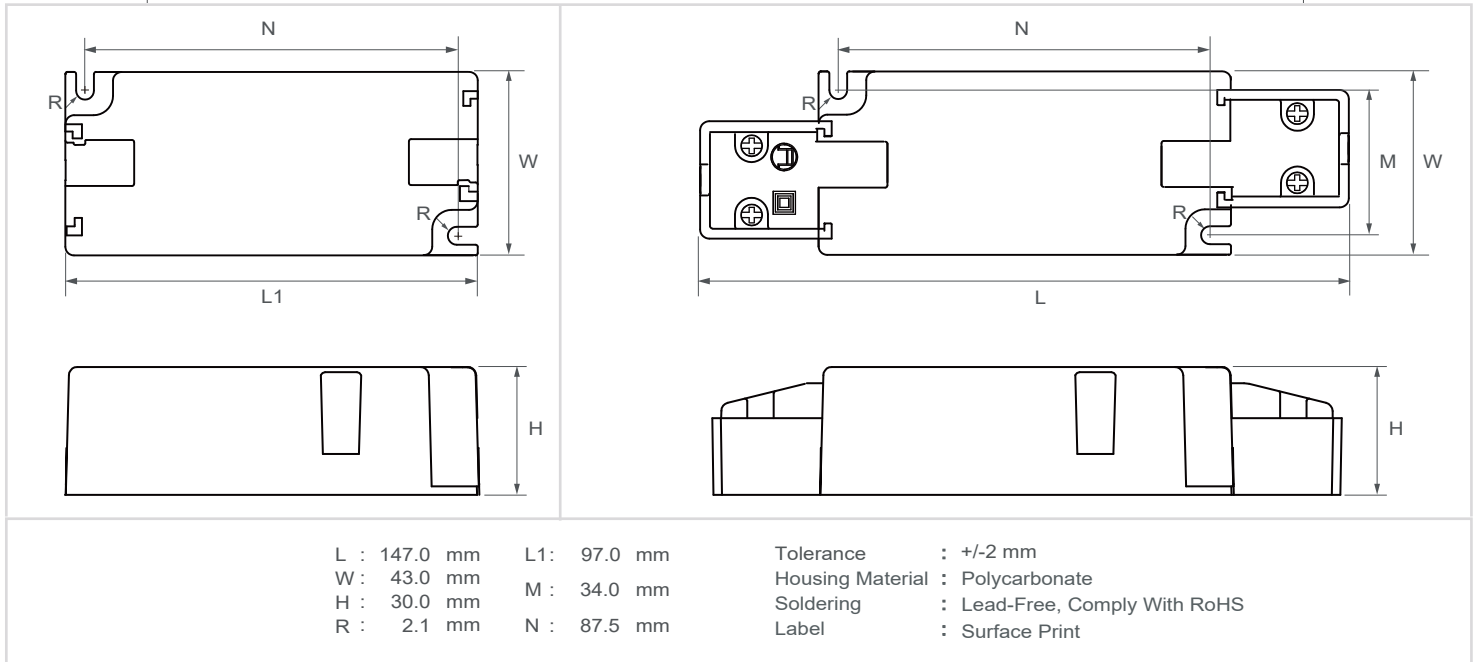


Physical

Parameter ▼ Application: In case a independent installation is required, the same driver can be used by adding the side cover
 (1) (2) By adding side covers the built-in type simply easy as an independent unit.
 (3) Regarding the independent type, DIP switch will be covered by white rubber.



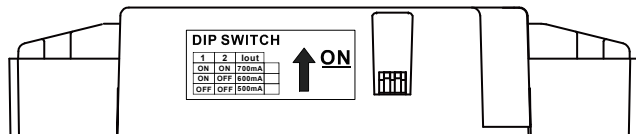
- 28.7x25.6x18 mm (2 PCS)
Strian-relief / Bottom
- 38.9x21.6x15mm (2 PCS)
Strian-relief / Cap
- 7.5x6.0x19.3mm
Rubber Plug
- M3*10 (4 PCS)
Screw



Dip Switch - One driver offers 3 choosable output current



Current	Dip-switch setting	
	1	2
700mA	ON	ON
600mA	ON	-
500mA	-	-



Wiring Diagram

