

Item	Value	Remark
Nominal voltage	220–240V	
Nominal frequency	50–60Hz	
AC voltage range	198–264V	
DC voltage range (start)	NA	
DC voltage range (operation)	NA	
Nominal current	140mA	
Total Harmonic Distortion (THD)	< 15%	Full load @230VAC
Power factor	0.9C	Full load @230VAC
Displacement factor	0.9C	Full load @230VAC
Efficiency	84%(Typ.)	Full load @230VAC
No-load power	NA	
Stand-by power	NA	
Protection class	II	Suitable for class II luminaires test with analog luminaires
Inrush current	10A / 300us	
Max.units per circuit breaker	Type B , 10A MCB	27
	Type B , 16A MCB	43
	Type C , 10A MCB	36
	Type C , 16A MCB	57
Earth leakage current	NA	
Nominal voltage range	25-42Vdc	
Maximum voltage	54Vdc	
Nominal current range		
I _{out} =250mA	250mA	Full load @230VAC
I _{out} =350mA	350mA	Full load @230VAC
I _{out} =400mA	400mA	Full load @230VAC
I _{out} =500mA	500mA	Full load @230VAC
Current accuracy	± 5%	Full load @230VAC
Typical output LF current ripple	± 3.5%	Low Frequency<120Hz
Starting time	< 0.5 S	Full load @230VAC
SVM	≤ 0.4	Full load @230VAC
P _{stLM}	≤ 1	Full load @230VAC

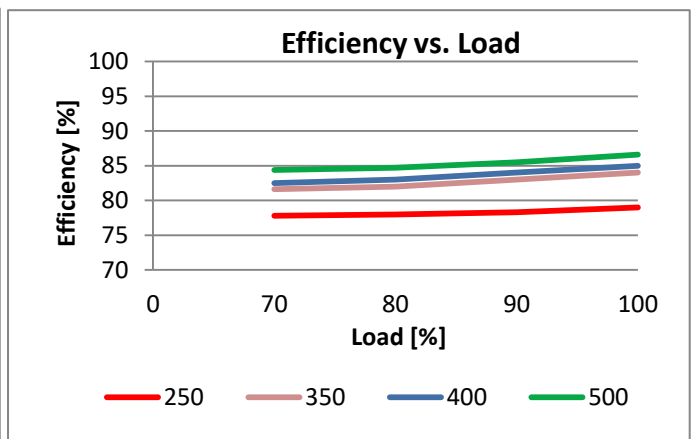
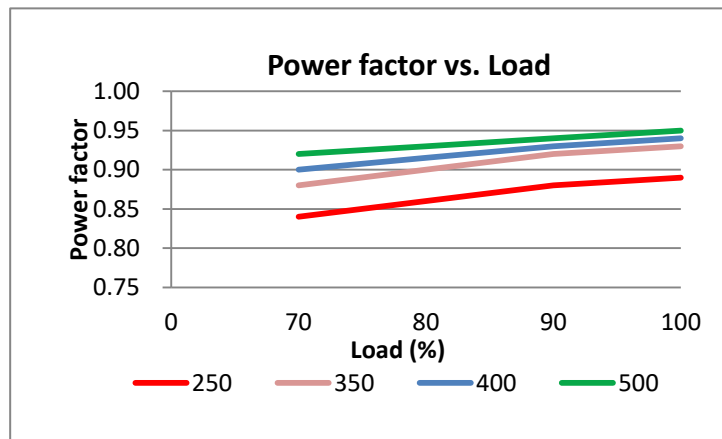
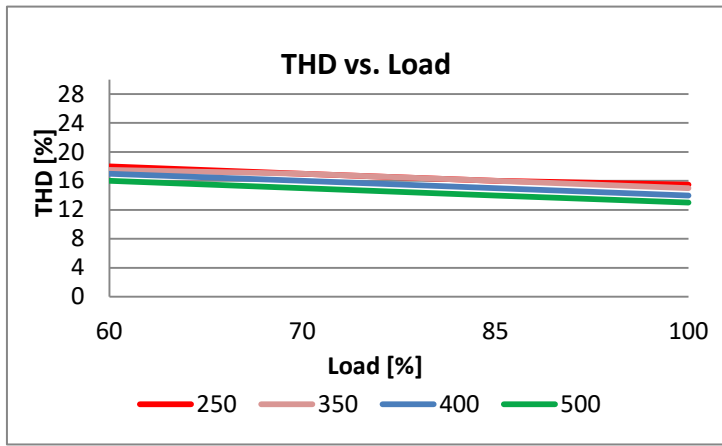
	Item	Value	Remark
Output	Nominal power range		
	I _{out} =250mA	6.25-10.5W	
	I _{out} =350mA	8.75-14.5W	
	I _{out} =400mA	10.0-17.0W	
	I _{out} =500mA	12.5-21.0W	
	Maximum power	21W	
Dimming	Dimming control	NA	
	Dimming technique	NA	
	PWM frequency	NA	
	Dimming range	NA	
	Lowest dimming current	NA	
	Galvanic isolation	NA	
	Ambient temperature range t _a	-20°C - +50°C	
	Maximum case temperature t _c	85°C	
	Max. case temp. in fault condition	110°C	When operating under fault conditions, the temperature of the enclosure at any location should not exceed 110 °C
Environment	Storage temperature range	-30°C - +85°C	
	Relative humidity	10% - 95%	
	Surge transient protection	1 kV	L/N
	Environmental rating	Indoor	
	IP rating	IP20	
	Mains switching cycles	> 100,000	
	Expected lifetime	> 50,000 h, t _c 85 °C @ t _a 50 °C > 100,000 h, t _c 75 °C @ t _a 40 °C	0.2 % / 1,000 h failure rate 0.1 % / 1,000 h failure rate
Packing	Gross weight/box	4.4 kg / 9.5 kg	Built-in /Independent
	Net weight/box	3.6 kg / 8.9 kg	Built-in /Independent
	Pcs/box	40PCS / 100PCS	Built-in /Independent
	Dimension/box	240(L)*190(W)*185(H)mm	Built-in Type
		460(L)*220(W)*185(H)mm	Independent Type
Protections			
	Short-circuit Protection	Auto recovery	
	Open-circuit Protection	Auto recovery	
	Overload Protection	Auto recovery	
Conformity & Standards			
	Safety standard:	EN 61347-1, EN 61347-2-13, EN 62493	
	Performance:	EN 62384	
	EMC:	EN 55015, EN 61000-3-2, EN 61000-3-3, EN 61547	
Cable information			
PRI			
	Cable cross-section	0.5-1.5□/AWG 20-16	
	Stripping	9mm	
	Pull test cable type	H03VV(H2)-F 2x0,75-1,0 mm ²	
SEC			
	Cable cross-section	0.5-1.5□/AWG 20-16	
	Stripping	9mm	
Terminal information			
	PRI -Push button/Angled Entry		
	SEC -Push button/Angled Entry (Red/Black		

Subject to change without notice, HEP guarantees all products perform functionally well

* If not mentioned, all the test conditions are based on full load at 230VAC input (for 220-240 VAC input).

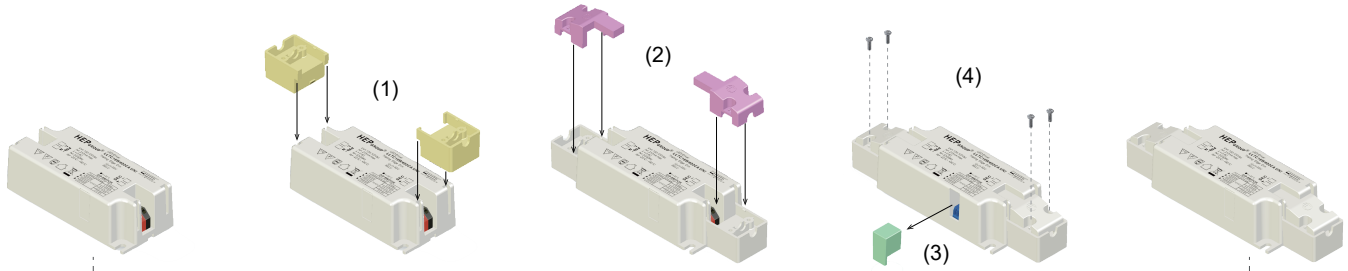
©HEP,LC-23-02-01

Electrical Values

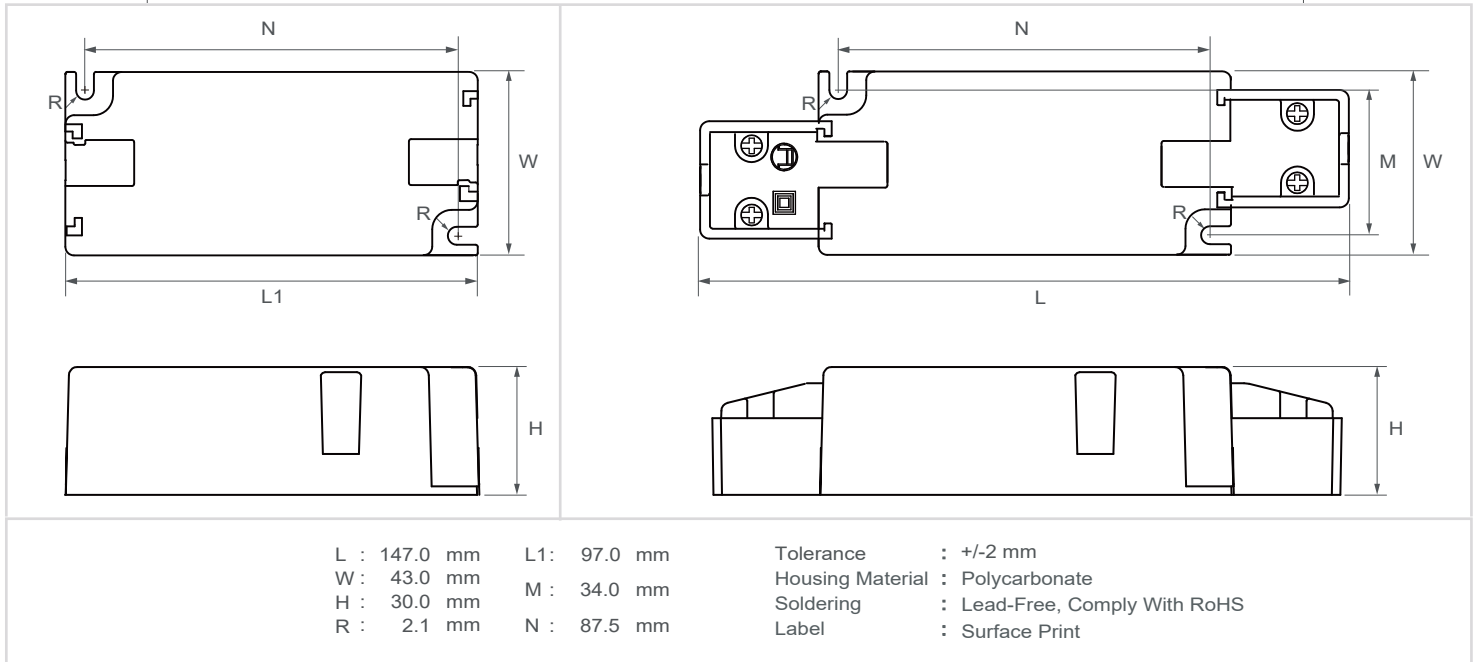


Physical

Parameter ▼ Application: In case a independent installation is required, the same driver can be used by adding the side cover
 (1) (2) By adding side covers the built-in type simply easy as an independent unit.
 (3) Regarding the independent type, DIP switch will be covered by white rubber.



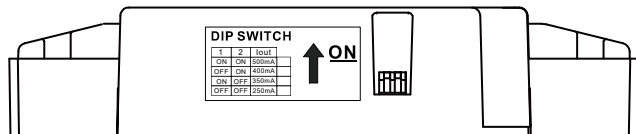
■ 28.7x25.6x18 mm (2 PCS) Strian-relief / Bottom
 ■ 38.9x21.6x15mm (2 PCS) Strian-relief / Cap
 ■ 7.5x6.0x19.3mm Rubber Plug
 ■ M3*10 (4 PCS) Screw



Dip Switch - One driver offers 4 choosable output current



Current	Dip-switch setting	
	1	2
500mA	ON	ON
400mA	ON	-
350mA	-	ON
250mA	-	-



Wiring Diagram

