

# Electrical Specification for **G5DWWC30W500LR-T**

## Wireless Control Tunable-White Constant Current DC-DC Converter

### Approval Marks



	Item	Value	Remark	
Input	DC voltage input	48V		
	Nominal frequency	0 HZ		
	DC voltage range	47-50V		
	Nominal current	500mA	Full load @48Vdc input voltage	
	Efficiency	92% Typ.	Full load @48Vdc input voltage	
	Stand-by power	< 0.5W		
	Output	Nominal voltage range	6-40Vdc	
LEDS quantity can be connected in series @ 48Vdc		2-13Pcs		
Maximum voltage		48Vdc	No load protection	
Nominal current range		500mA		
Current accuracy		± 5%	Full load @48Vdc input voltage	
Current ripple		± 5%	Full load @48Vdc input voltage	
SVM		≤ 0.4	Full load @48Vdc input voltage	
PstLM		≤ 1	Full load @48Vdc input voltage	
Starting time		<0.5 S	Full load @48Vdc input voltage	
Nominal power range		3-20W		
Color tuning range		2700K-5600K	Factory default 2700K-5600K	
Dimming		Dimming control	Wireless	
		Dimming technique	Amplitude	
	Dimming range	10-100%		
Environment	Ambient temperature range ta	-20°C - +35°C		
	Maximum case temperature tc	80°C	@ with Stucchi adaptor box	
	Storage temperature range	-40°C - +85°C		
	Relative humidity	10% - 95%		
	Environmental rating	Indoor		
	Mains switching cycles	> 100,000		
	Expected lifetime	> 50,000 h, @ta +35 °C	0.2%/1000h failure rate	
Packing	Gross weight/box	kg		
	Net weight/box	kg		
	Pcs/box	PCS		
	Dimension/box	385(L)*310(W)*260(H)mm		

## Protections

Short-circuit Protection	Auto recovery
Open-circuit Protection	Auto recovery
Overload Protection	Auto recovery

## Conformity & Standards

Safety standard:	EN 61347-1, EN 61347-2-13, EN 62493
Performance:	EN 62384
EMC standard:	EN 55015, EN 61547
DALI protocol standard:	EN 62386-101, EN 62386-102, EN 62386-207, EN 62386-209

\*Subject to change without notice, HEP guarantees all products perform functionally well\*

\* If not mentioned, all the test conditions are based on full load at 48Vdc input (for 48Vdc input).

## ■ Lighting Control APP

The APP can be downloaded on Apple Store and Google Play Store for iOS and Android.

You can search APP name "Wiz" "smart" or scanning the QR cord.



## WIZ



Android

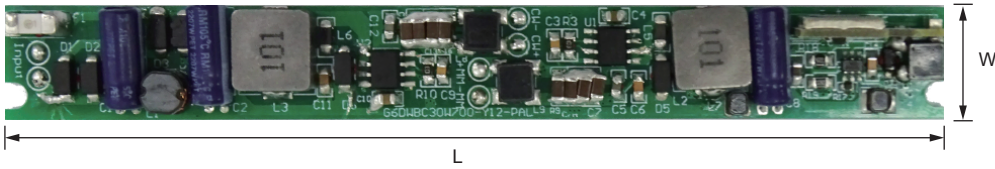


IOS



Website : <https://wizconnected.com>

**Physical  
Parameter**

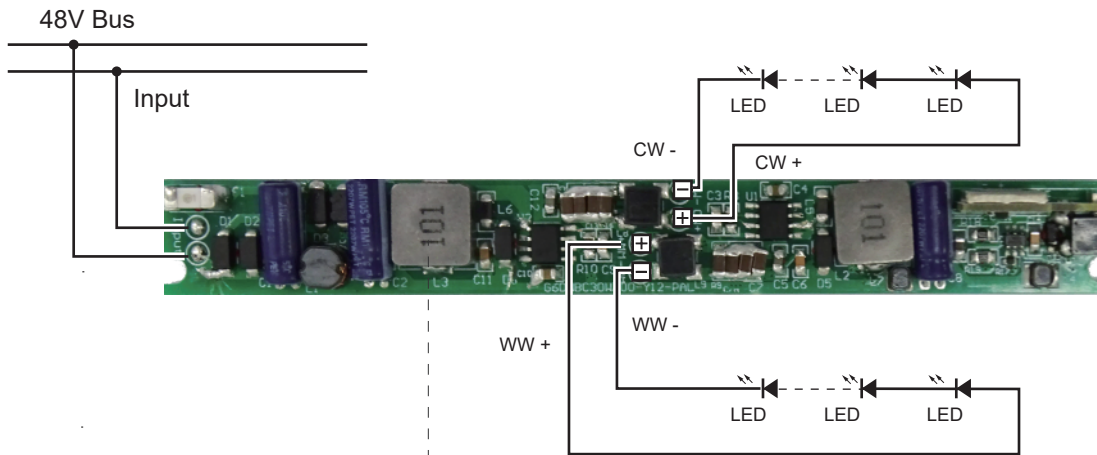


L : 125 mm  
W : 14.5 mm



H : 12.0 mm  
H1: 9.6 mm  
H2: 1.4 mm

**Wiring Diagram**



**Case Tc Location**

