

Approval



	Item	Value	Remark	
Input	DC voltage input	48V		
	Nominal frequency	0 HZ		
	DC voltage range	47-50V		
	Nominal current	350mA	Full load @48Vdc input voltage	
	Efficiency	90% Typ.	Full load @48Vdc input voltage	
	Stand-by power	< 0.5W		
	Output	Nominal voltage range	6-40Vdc	
LEDS quantity can be connected in series @ 48Vdc		2-13Pcs		
Maximum voltage		48Vdc	No load protection	
Nominal current range		350mA		
Current accuracy		± 5%	Full load @48Vdc input voltage	
Current ripple		± 5%	Full load @48Vdc input voltage	
SVM		≤ 0.4	Full load @48Vdc input voltage	
P _{stLM}		≤ 1	Full load @48Vdc input voltage	
Starting time		<0.5 S	Full load @48Vdc input voltage	
Nominal power range		2.1-14W		
Color tuning range		2700K-5600K	Factory default 2700K-5600K	
Dimming		Dimming control	Wireless	
		Dimming technique	Amplitude	
	Dimming range	10-100%		
Environment	Ambient temperature range ta	-20°C - +35°C		
	Maximum case temperature tc	60°C	@ with Stucchi adaptor box	
	Storage temperature range	-40°C - +85°C		
	Relative humidity	10% - 95%		
	Environmental rating	Indoor		
	Mains switching cycles	> 100,000		
	Expected lifetime	> 50,000 h, @ta +35 °C	0.2%/1000h failure rate	
Packing	Gross weight/box	kg		
	Net weight/box	kg		
	Pcs/box	PCS		
	Dimension/box	385(L)*310(W)*260(H)mm		

Protections

Short-circuit Protection	Auto recovery
Open-circuit Protection	Auto recovery
Overload Protection	Auto recovery

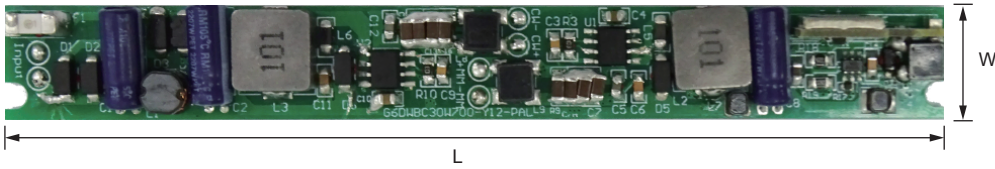
Conformity & Standards

Safety standard:	EN 61347-1, EN 61347-2-13, EN 62493
Performance:	EN 62384
EMC standard:	EN 55015, EN 61547
DALI protocol standard:	EN 62386-101, EN 62386-102, EN 62386-207, EN 62386-209

Subject to change without notice, HEP guarantees all products perform functionally well

* If not mentioned, all the test conditions are based on full load at 48Vdc input (for 48Vdc input).

**Physical
Parameter**

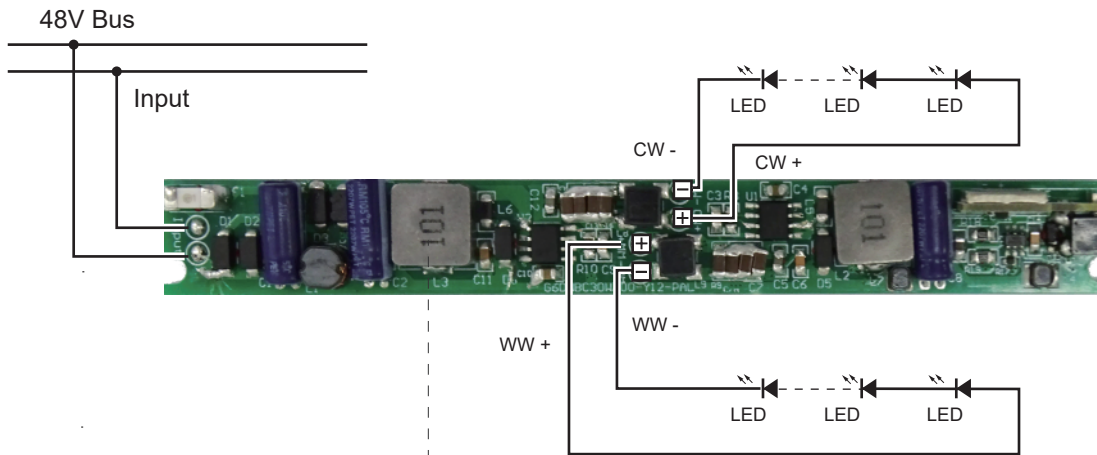


L : 125 mm
W : 14.5 mm



H : 12.0 mm
H1: 9.6 mm
H2: 1.4 mm

Wiring Diagram



Case Tc Location

