

**LED Driver for Max. 10W/200mA**

**100-277V**



**Approval Marks**



**Product Specification**

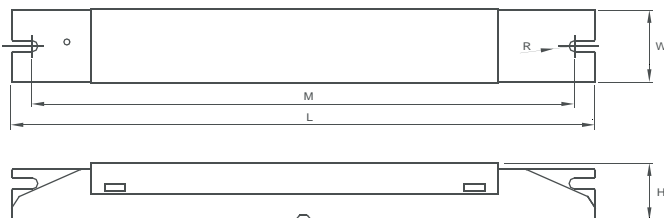
| Parameter                               | Conditions           | Min    | Nom   | Max   | Unit  |
|---|----------------------|--------|-------|-------|-------|
| Number Of Lamps Driven                  |                      | -      | 1     | -     | -     |
| Input Power                             | 25°C                 | -      | -     | 10.5  | W     |
| Rated Input Voltage                     | 25°C                 | 100    | 230   | 277   | V     |
| Input Current                           | 25°C, @100V          | -      | -     | 85    | mA    |
| Input Frequency                         | 25°C, @100V          | -      | 50-60 | -     | Hz    |
| Power Factor                            | 25°C, @100V          | 0.55   | -     | -     | -     |
|   | 25°C, @230V          | 0.5    | -     | -     | -     |
| Emergency Mode Start                    | 25°C                 | -      | <70   | -     | V     |
| Lamp Power                              | 25°C, Emergency mode | -      | -     | 10    | W     |
| Input Power                             | 25°C, Emergency mode | -      | -     | 12.5  | W     |
| Input Current                           | 25°C, Emergency mode | -      | -     | 2.5   | A     |
| Output Current(Jumper configuration)    | 25°C, Emergency mode | 110    | 150   | 200   | mA    |
| Output Voltage                          | 25°C, Emergency mode | 10     | -     | 50    | V     |
| Operating Frequency                     | 25°C, Emergency mode | -      | 60    | -     | KHz   |
| Battery Voltage                         | Ni-Cd/ NiMh          | -      | 6     | -     | V     |
| Loading Operating Ambient Temperature   | Nominal Input        | +5     | -     | +45   | °C    |
| Emergency Mode Ambient Temperature      | Emergency mode       | 0      | -     | +70   | °C    |
| Max Allowed Case Temperature            | Nominal Input        | -      | -     | +70   | °C    |
| Average Service Life (10% Failure Rate) | at 45°C ambient      | 50,000 | -     | -     | hours |
| Failure Rate Per 1000h Operation        | at 45°C ambient      | -      | -     | 0.20% | -     |

**Lamp Type** LED : Max 50V/200mA

**Application Space**

Indoor Use  
(Low Humidity, No Condensation)

**Physical Parameter**



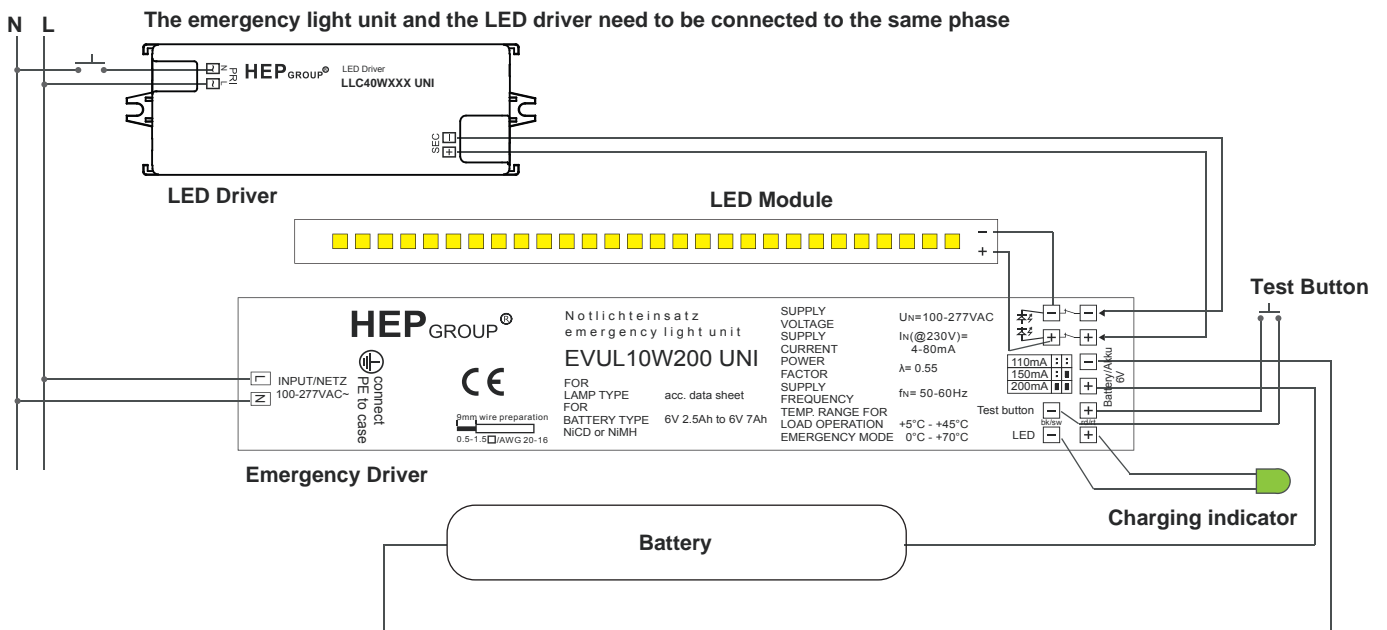
- L : 235 mm
- M : 218.5 mm
- N :
- W : 29.5 mm
- H : 21 mm
- R : 2 mm
- Slot On One Side Allowing Alignment : M+/-3 mm
- Tolerance :  $\geq 0 \sim 100 \geq \pm 0.5$  mm
- $100 \sim \geq \pm 1$  mm
- Terminal Block : Push - Button, Angled Entry
- Housing Material : Metal, No Sharp Edges
- Soldering : Lead - Free, Comply With RoHS
- Label : Surface Print

**LED Driver for Max. 10W/200mA**

**100-277V**



**Approval Marks**



**Battery operation time @ Full Load**

|  |     |     |     |      |
|--|-----|-----|-----|------|
| Output Current (mA) at emergency mode            | 110 | 150 | 200 | mA   |
| Output Voltage (V) at emergency mode             | 50  | 50  | 50  | V    |
| Operation time (Hrs.) at 2.5Ahr battery supplied | 1.7 | 1.3 | 1.0 | hrs. |
| Operation time (Hrs.) at 4.5Ahr battery supplied | 3.1 | 2.3 | 1.7 | hrs. |
| Operation time (Hrs.) at 7Ahr battery supplied   | 4.9 | 3.6 | 2.7 | hrs. |