

**Approval Marks**

In Preparation

**Electronic**

Parameter	Min	Nom	Max	Unit
I/P Voltage range	5	12	40	V
Output Frequency	485	500	515	Hz
Dimming Range	1	-	100	%
Ambient Temp.	-20	-	+50	°C
Suitable power unit	HEP Dimmable Converter			

**Load Type**

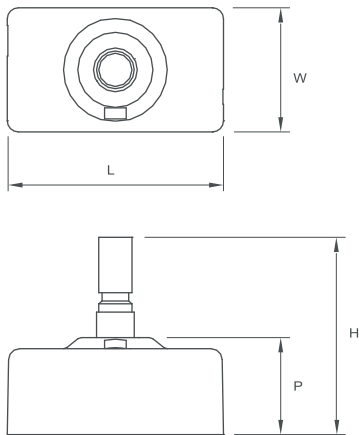
HEP DC-DC converter series

**Application Space**

Indoor Use  
(Low Humidity, No Condensation)

**Physical**

Parameter



L : 39 mm    P : 17.5 mm  
W : 22.4 mm  
H : 35.6 mm

Slot On One Side Allowing Alignment : M+/-3 mm  
Tolerance :  $\geq 0 \sim 100 \geq +/-0.5$  mm  
                   $100 \sim \geq +/-1$  mm

Housing Material : Polycarbonate  
Soldering : Lead-Free, Comply With RoHS  
Label : Surface Print

**Wiring Diagram**

